

# SEARS

## Owner's Manual

Model  
C950-52943-0  
13.5 T.P. 27 inch

### CAUTION:

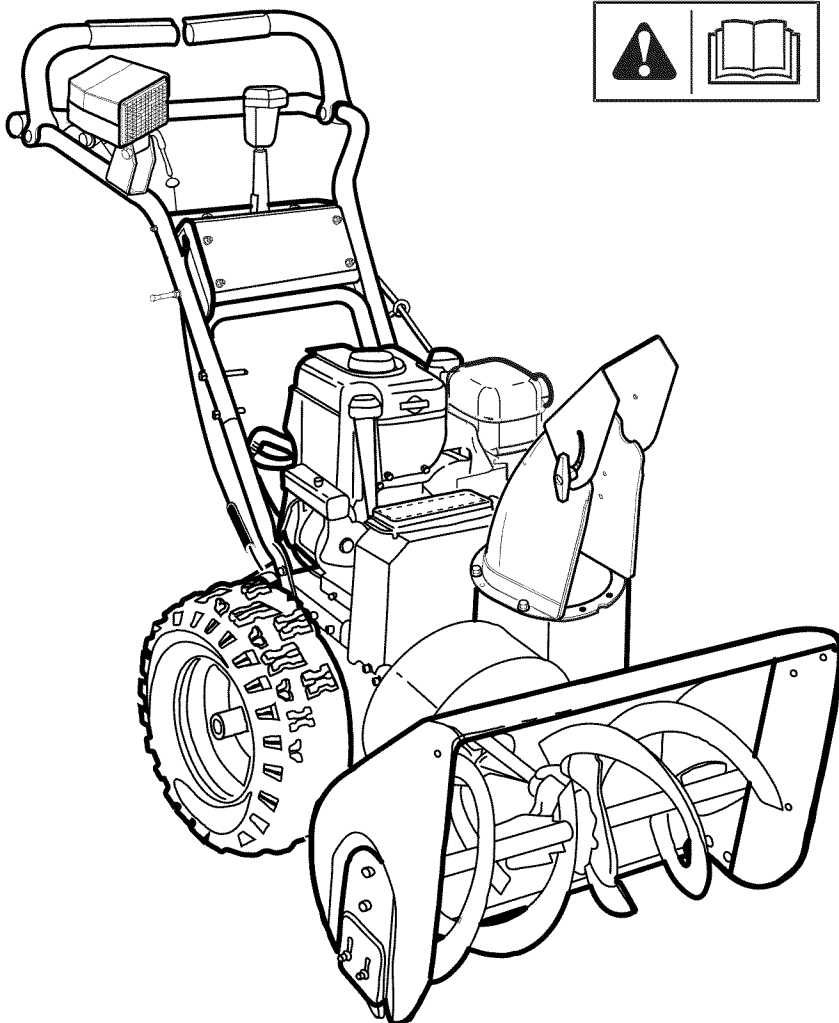
You must read and understand this owner's manual before operating unit.

Serial No. \_\_\_\_\_

# SEARS

## CRAFTSMAN

# DUAL STAGE SNOW THROWER



**Thank you** for purchasing this quality-built Craftsman snow thrower. We're pleased that you've placed your confidence in the Craftsman brand. When operated and maintained according to the instructions in this manual, your Craftsman product will provide many years of dependable service.

**This manual contains** safety information to make you aware of the hazards and risks associated with snow throwers and how to avoid them. This snow thrower is designed and intended only for snow throwing and is not intended for any other purpose. It is important that you read and understand these instructions thoroughly before attempting to start or operate this equipment. **This snow thrower requires final assembly before use.** Refer to the Assembly section for instructions on final assembly procedures. Follow the instructions completely. **Save these instructions for future reference.**

**Snow Thrower:**

Model Number \_\_\_\_\_

Revision \_\_\_\_\_

Serial Number \_\_\_\_\_

**Engine:**

Model Number \_\_\_\_\_

Revision \_\_\_\_\_

Serial Number \_\_\_\_\_

**Date Purchased:** \_\_\_\_\_

**Store Where Purchased:** \_\_\_\_\_

**City:** \_\_\_\_\_

**Province:** \_\_\_\_\_

**Telephone:** \_\_\_\_\_

**NOTICE:** Record this information about your snow thrower so that you will be able to provide it in case of loss or theft.


<b>OPERATOR SAFETY</b> .....	<b>4</b>
<b>ASSEMBLY</b> .....	<b>10</b>
TOOLS REQUIRED FOR ASSEMBLY .....	10
CONTENTS OF SHIPPING CARTON .....	10
PARTS BAG CONTENTS .....	10
UNPACKING .....	11
UPPER HANDLE AND CRANK ASSEMBLY .....	12
CHECK THE CABLES .....	12
SET THE LENGTH OF THE CABLES .....	12
SPEED SELECT LEVER ASSEMBLY .....	13
SNOW CHUTE ASSEMBLY .....	14
HEADLIGHT ASSEMBLY .....	14
<b>FEATURES AND CONTROLS</b> .....	<b>15</b>
<b>OPERATION</b> .....	<b>17</b>
BEFORE OPERATING SNOW THROWER .....	17
OPERATE THE SNOW THROWER .....	17
STOP THE SNOW THROWER .....	18
TRACTION LOCK PINS .....	18
CHECK THE OIL (BEFORE STARTING ENGINE) .....	18
FILL THE FUEL TANK .....	19
START THE ENGINE .....	19
STOP THE ENGINE .....	20
CLEAR A CLOGGED DISCHARGE CHUTE .....	21
OPERATING TIPS .....	21
<b>MAINTENANCE</b> .....	<b>22</b>
SERVICE RECOMMENDATIONS .....	22
LUBRICATE AUGER GEAR BOX .....	23
LUBRICATE AUGER SHAFT FITTINGS .....	23
LUBRICATE CHUTE ROTATION GEAR .....	23
ENGINE MAINTENANCE .....	24
CHANGE THE SPARK PLUG .....	25
ADJUST SKID HEIGHT .....	26
BELT ADJUSTMENT .....	27
BELT GUIDE ADJUSTMENT .....	28
CHECK AND ADJUST THE CABLES .....	28
AUGER SHEAR PIN REPLACEMENT .....	30
CHECK THE TIRES .....	30
<b>STORAGE</b> .....	<b>31</b>
OFF SEASON STORAGE .....	31
LUBRICATE HEX SHAFT AND CHAINS .....	31
REMOVE FROM STORAGE .....	31
<b>TROUBLESHOOTING</b> .....	<b>32</b>
<b>WARRANTIES</b> .....	<b>34</b>
<b>SPECIFICATIONS</b> .....	<b>37</b>

# OPERATOR SAFETY


## DANGER - Amputation Hazard







The discharge chute contains a rotating impeller to throw snow. Never clear or unclog the discharge chute with your hands. Fingers can quickly become caught and traumatic amputation or severe laceration will result. Always use a clean-out tool to clear or unclog the discharge chute.

 <b>DANGER</b>
<ul style="list-style-type: none"> <li>• Hand contact with the rotating impeller inside the discharge chute is the most common cause of injury associated with snowthrowers.</li> <li>• This snowthrower is capable of amputating hands and feet, and throwing objects. Read and observe all the safety instructions in this manual. Failure to do so will result in death or serious injury.</li> </ul>

## Safety Alert Symbol and Signal Words
















The safety alert symbol  and signal word (DANGER, WARNING, CAUTION, or NOTICE) is used to indicate the likelihood and potential severity of personal injury and/or damage to the product. In addition, a hazard symbol may be used to represent the type of hazard.


-  **DANGER** indicates a hazard which, if not avoided, **will result in death or serious injury.**
-  **WARNING** indicates a hazard which, if not avoided, **could result in death or serious injury.**
-  **CAUTION** indicates a hazard which, if not avoided, **could result in minor or moderate injury.**
- NOTICE** indicates a situation that **could result in damage to the product.**


 <b>WARNING</b>
U.S.A. Models: Certain components in this product and its related accessories contain chemicals known to the state of California to cause cancer, birth defects, or other reproductive harm. Wash hands after handling.

Certification: This equipment meets the requirements of ANSI B71.3-2005 for snowthrowers.

## Hazard Symbols and Meanings

	Safety Alert – Identifies safety information about hazards that can result in personal injury.		
	Operator's Manual – Read and understand before performing any activity or running snowthrower.		
	Rotating Impeller		Keep a Safe Distance from Snowthrower
	Rotating Auger		Rotating Gears
	Never Reach into Rotating Parts		Thrown Objects
	Fire		Explosion
	Shock		Toxic Fumes
	Hot Surface		Recommended Ear Protection for Extended Use
	Shut off engine and remove spark plug connector before performing maintenance or repair work.		

 <b>WARNING</b>
U.S.A. Models: The engine exhaust from this product contains chemicals known to the State of California to cause cancer, birth defects, or other reproductive harm.

 <b>WARNING</b>
U.S.A. Models: Battery posts, terminals, and related accessories contain lead and lead components - chemicals known to the State of California to cause cancer and reproductive harm. Wash hands after handling.

## Control Symbols on Equipment

	Oil		1 —	Forward
	Fuel		Neutral	
	On Off		R 1 —	Reverse
	Choke Off			
	Choke On			
	Stop		Electric Start - Engage (Down) & Disengage (Up)	
	Slow		Engine - Run	
	Fast		Engine - Stop	
	Traction Control - Engage (Down)		Auger Control - Engage (Down)	
	Auger Clutch		Chute Deflector (Up and Down)	
	Discharge Chute (Left and Right)		Heated Hand Grips (High and Low)	

Easy-Turn™ Traction Control	Free-Hand™ Control

## Read the Manual

	<b>⚠ DANGER</b>
	<p>Read, understand, and follow all the instructions on the snowthrower and in the operator's manual before operating this unit.</p> <p>Failure to observe the safety instructions in this manual will result in death or serious injury.</p>
<ul style="list-style-type: none"> <li>• Be thoroughly familiar with the controls and the proper use of the snowthrower.</li> <li>• Make sure you are properly trained before operating the snowthrower.</li> <li>• Know how to stop the unit and disengage the controls quickly.</li> <li>• Never allow anyone to operate the snowthrower without proper instruction.</li> <li>• Always follow the instructions in the operator's manual, if the snowthrower will be stored for an extended period.</li> <li>• Maintain or replace safety and instruction labels as necessary.</li> <li>• Never attempt to make major repairs on the snowthrower unless you have been properly trained. Improper servicing of the snowthrower can result in hazardous operation, equipment damage, and voiding of the product warranty.</li> </ul>	



## Discharge Chute

	<b>⚠ DANGER</b>
	<p>Discharge chute contains rotating impeller to throw snow. Never clear or unclog the discharge chute with your hands. Fingers can quickly become caught in the impeller. Always use a clean-out tool.</p> <p>Failure to observe these safety instructions will result in traumatic amputation or severe laceration.</p>
<p><b>TO SAFELY CLEAR A CLOGGED DISCHARGE CHUTE</b></p> <p><b>⚠ DANGER:</b> Hand contact with the rotating impeller inside the discharge chute is the most common cause of injury associated with snow throwers. Never use your hands to clean out the discharge chute.</p> <p><b>FOLLOW THESE INSTRUCTIONS:</b></p> <ol style="list-style-type: none"> <li>1. Shut OFF the engine.</li> <li>2. Wait 10 seconds to be sure the impeller blades have stopped rotating.</li> <li>3. Always use a clean-out tool, not your hands.</li> </ol>	




**NOTE:** Not all control symbols shown on this page will appear on your snowthrower. See **FEATURES AND CONTROLS** section for the applicable symbols.

# OPERATOR SAFETY

## Operation and Equipment Safety

	<p style="text-align: center;"> <b>DANGER</b></p> <p>This snowthrower is only as safe as the operator. If it is misused, or not properly maintained, it can be dangerous. Remember you are responsible for your safety and that of those around you.</p>
<ul style="list-style-type: none"><li>• Keep the area of operation clear of all persons, particularly small children and pets.</li><li>• Thoroughly inspect the area where the snowthrower will be used and remove all doormats, sleds, boards, wires, and other foreign objects.</li><li>• Do not operate the snowthrower without wearing adequate winter clothing.</li><li>• Wear footwear that will improve footing on slippery surfaces.</li><li>• Use caution to avoid slipping or falling especially when operating the snowthrower in reverse.</li><li>• Never operate the snowthrower without good visibility or light. Always be sure of your footing, and keep a firm hold on the handles.</li><li>• Do not clear snow across the face of slopes. Use extreme caution when changing direction on slopes. Do not attempt to clear steep slopes.</li><li>• Do not overload the machine capacity by attempting to clear snow too quickly.</li><li>• Never operate the snowthrower at high transport speeds on slippery surfaces. Look behind the snowthrower and use care when operating in reverse.</li><li>• Do not use the snowthrower on surfaces above ground level such as roofs of residences, garages, porches, or other such structures or buildings.</li><li>• Operators should evaluate their ability to operate the snowthrower safely enough to protect themselves and others from injury.</li><li>• The snowthrower is intended to remove snow only. Do not use the snowthrower for any other purpose.</li><li>• Do not carry passengers.</li><li>• After striking a foreign object, shut OFF the engine, disconnect the cord on electric motors, thoroughly inspect the snowthrower for any damage, and repair the damage before restarting and operating the snowthrower.</li><li>• If the snowthrower vibrates abnormally, shut OFF the engine. Vibration is generally a warning of trouble. See an authorized dealer if necessary for repairs.</li><li>• For models equipped with electric starting motors, disconnect the power cord after the engine starts.</li></ul>	


## Fuel Handling

 	<p style="text-align: center;"> <b>DANGER</b></p> <p>Fuel and its vapors are extremely flammable and explosive. Always handle fuel with extreme care. Failure to observe these safety instructions can cause a fire or explosion which will result in severe burns or death.</p>
<p><b>WHEN ADDING FUEL</b></p> <ul style="list-style-type: none"><li>• Turn off engine and let cool at least 2 minutes before removing the fuel cap and adding fuel.</li><li>• Fill fuel tank outdoors or in a well ventilated area.</li><li>• Do not overfill the fuel tank. To allow for the expansion of gasoline, do not fill above the bottom of the fuel tank neck.</li><li>• Keep fuel away from sparks, open flames, pilot lights, heat, and other ignition sources.</li><li>• Check fuel lines, cap, and fittings frequently for cracks or leaks. Replace if necessary.</li><li>• Use an approved fuel container.</li><li>• If fuel spills, wait until it evaporates before starting engine.</li></ul> <p><b>WHEN STARTING ENGINE</b></p> <ul style="list-style-type: none"><li>• Ensure that spark plug, muffler, fuel cap, and air cleaner (if equipped) are in place and secured.</li><li>• Do not crank the engine with the spark plug removed.</li><li>• If fuel is spilled, do not attempt to start the engine, but move the snowthrower away from the area of the spill, and avoid creating any source of ignition, until the fuel vapors have dissipated.</li><li>• Do not over-prime the engine. Follow the engine starting instructions in this manual.</li><li>• If the engine floods, set choke (if equipped) to OPEN/RUN position, move throttle (if equipped) to FAST position and crank until engine starts.</li></ul> <p><b>WHEN OPERATING EQUIPMENT</b></p> <ul style="list-style-type: none"><li>• Do not tip the snowthrower at an angle which causes the fuel to spill.</li><li>• Do not choke the carburetor to stop the engine.</li><li>• Never run the engine with the air cleaner assembly (if equipped) or the air filter (if equipped) removed.</li></ul> <p><b>WHEN CHANGING OIL</b></p> <ul style="list-style-type: none"><li>• If you drain the oil from the top oil fill tube, the fuel tank must be empty or fuel can leak out and result in a fire or explosion.</li></ul> <p><b>WHEN TRANSPORTING EQUIPMENT</b></p> <ul style="list-style-type: none"><li>• Transport with fuel tank EMPTY, or with fuel shut-off valve OFF.</li></ul> <p><b>WHEN STORING GASOLINE OR EQUIPMENT WITH FUEL IN TANK</b></p> <ul style="list-style-type: none"><li>• Store away from furnaces, stoves, water heaters, or other appliances that have pilot light or other ignition source because they can ignite fuel vapors.</li></ul>	


## Moving Parts

	<p align="center"><b>⚠ DANGER</b></p> <p>Keep hands, feet, and clothing away from rotating parts. Rotating parts can contact or entangle hands, feet, hair, clothing, or accessories.</p> <p>Failure to observe these safety instructions will result in traumatic amputation or severe laceration.</p>
<ul style="list-style-type: none"> <li>• Whenever cleaning, repairing, or inspecting the snowthrower, make sure the engine is OFF, spark plug wire is disconnected, and all moving parts have stopped.</li> <li>• Do not put hands or feet near or under rotating parts. Keep clear of the discharge opening at all times.</li> <li>• Never operate the snowthrower without proper guards, and other safety devices in place and working.</li> <li>• Never leave the snowthrower unattended while engine is running. Always disengage the auger and traction controls, stop engine, and remove keys.</li> <li>• Keep all loose clothing away from the front of the snowthrower and auger. Scarves, mittens, dangling drawstrings, loose clothes, and pants can quickly become caught in the rotating device and amputation will occur. Tie up long hair and remove jewelry.</li> <li>• Run the machine a few minutes after discharging snow to prevent freeze-up of the collector/impeller.</li> <li>• Disengage power to the collector/impeller when snowthrower is transported or not in use.</li> </ul>	

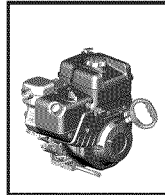
## Thrown Objects

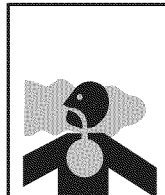
	<p align="center"><b>⚠ DANGER</b></p> <p>Objects can be picked up by auger and thrown from chute. Never discharge snow toward bystanders or allow anyone in front of the snowthrower. Failure to observe these safety instructions will result in death or serious injury.</p>
<ul style="list-style-type: none"> <li>• Always wear safety glasses or eye shields while during operation, and while performing an adjustment or repair.</li> <li>• Always be aware of the direction the snow is being thrown. Nearby pedestrians, pets, or property may be harmed by objects being thrown.</li> <li>• Be aware of your environment while operating the snowthrower. Running over items such as, gravel, doormats, newspapers, toys, and rocks hidden under snow, can all be thrown from the chute or jam in the auger.</li> <li>• Use extreme caution when operating on or crossing gravel drives, walks, or roads.</li> <li>• Adjust the collector housing height to clear gravel or crushed rock surface.</li> <li>• Never operate the snowthrower near glass enclosures, automobiles, window wells, drop-offs, and the like without proper adjustment of the discharge chute angle.</li> <li>• Familiarize yourself with the area in which you plan to operate the snow thrower. Mark off boundaries of walkways and driveways.</li> </ul>	

## Children

	<p align="center"><b>⚠ DANGER</b></p> <p>Tragic accidents can occur if the operator is not alert to the presence of children. Children are often attracted to the unit and the operating activity. Never assume that children will remain where you last saw them.</p>
<ul style="list-style-type: none"> <li>• Keep children out of the area during operation. Children are often attracted to the equipment. Be mindful of all persons present.</li> <li>• Be alert and turn unit off if children enter the area.</li> <li>• Never allow children to operate the unit.</li> <li>• Use extra care when approaching blind corners, shrubs, trees, or other objects that may obscure vision. Children may be present.</li> </ul>	



## Engine Safety



	<p align="center"><b>⚠ DANGER</b></p> <p>Safe operation of the snowthrower requires the proper care and maintenance of the engine. Failure to observe the safety instructions in this manual will result in death or serious injury.</p>
<ul style="list-style-type: none"> <li>• Disengage all clutches and shift into neutral before starting the engine.</li> <li>• Let the engine adjust to outdoor temperatures before starting to clear snow.</li> <li>• Use a grounded three-wire plug-in for all snowthrowers equipped with electric drive motors or electric starting motors.</li> </ul>	

	<p align="center"><b>⚠ DANGER</b></p> <p>Engines give off carbon monoxide, an odorless, colorless, poison gas. Breathing carbon monoxide can cause nausea, fainting, or death.</p>
<ul style="list-style-type: none"> <li>• Start and run engine outdoors.</li> <li>• Do not run the engine in an enclosed area, even if doors or windows are open.</li> </ul>	

# OPERATOR SAFETY

## Engine Safety (Continued)

	 <b>WARNING</b>
	<p>Starting engine creates sparking. Sparking can ignite nearby flammable gases. Explosion and fire could result.</p>
<ul style="list-style-type: none"> <li>• If there is natural or LP gas leakage in area, do not start engine.</li> <li>• Do not use pressurized starting fluids because vapors are flammable.</li> </ul>	

	 <b>WARNING</b>
	<p>Running the engine produces heat. Engine parts, especially muffler, become extremely hot. Failure to observe these safety instructions could result in severe thermal burns on contact.</p>
<ul style="list-style-type: none"> <li>• Never touch a hot engine or muffler. Allow muffler, engine cylinder, and fins to cool before touching.</li> <li>• Remove debris from muffler area and cylinder area.</li> <li>• Install and maintain in working order a spark arrester before using equipment on forest-covered, grass-covered, or brush-covered unimproved land.</li> <li>• <b>U.S.A. Models:</b> It is a violation of California Public Resource Code Section 4442 to use or operate the engine on or near any forest-covered, brush-covered, or grass-covered land unless the exhaust system is equipped with a spark arrester meeting any applicable local or state laws. Other states or federal areas may have similar laws.</li> </ul>	

## Maintenance and Storage

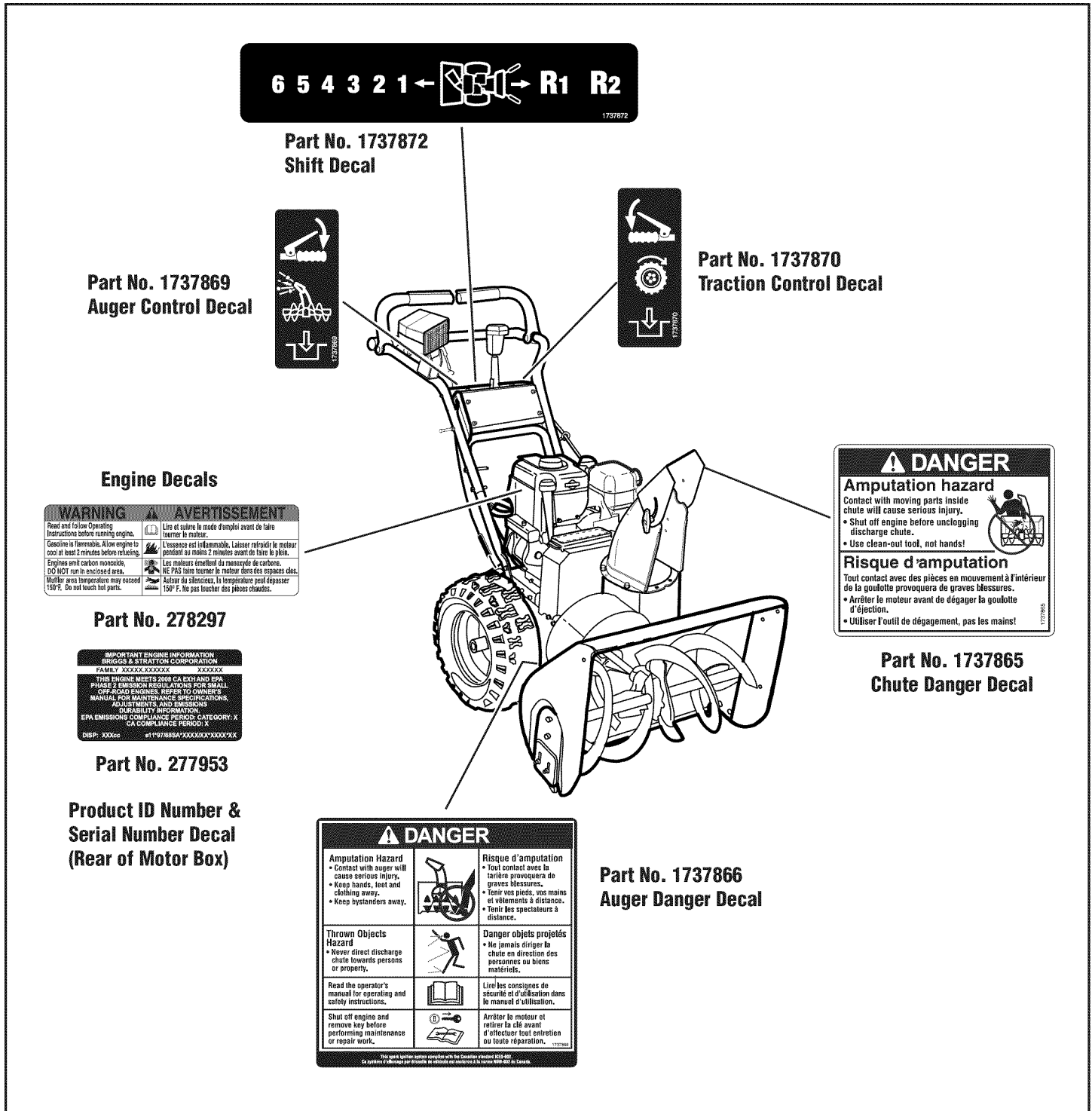
	 <b>WARNING</b>
	<p>This snowthrower must be properly maintained to ensure safe operation and performance. Failure to observe the safety instructions in this manual could result in death or serious injury.</p>
<ul style="list-style-type: none"> <li>• When performing any maintenance or repairs on the snowthrower, shut OFF the engine, disconnect spark plug wire, and keep the wire away from the plug to prevent someone from accidentally starting the engine.</li> <li>• Check shear bolts and other hardware at frequent intervals for proper tightness to be sure the snowthrower is in safe working condition.</li> <li>• Keep nuts and bolts tight and keep snowthrower in good condition.</li> <li>• Never tamper with safety devices. Check their proper operation regularly and make necessary repairs if they are not functioning properly.</li> <li>• Components are subject to wear, damage, and deterioration. Frequently check components and replace with recommended parts, when necessary.</li> <li>• Check control operation frequently. Adjust and service as required.</li> <li>• Use only factory authorized replacement parts when making repairs.</li> <li>• Always comply with factory specifications on all settings and adjustments.</li> <li>• Only authorized service locations should be utilized for major service and repair requirements.</li> <li>• Use only attachments and accessories approved by the factory (such as wheel weights, counterweights, or cabs).</li> <li>• Never attempt to make any adjustments while the engine is running (except when specifically recommended by the factory).</li> <li>• Do not allow grease or oil to contact the rubber friction wheel or the disc drive plate. If the disc drive plate or friction wheel come in contact with grease or oil, damage to the rubber friction wheel will result.</li> </ul>	



**!** Look for this symbol to indicate important safety precautions. This symbol indicates: "Attention! Become Alert! Your Safety Is At Risk."

**!** **WARNING:** If any safety decals become worn or damaged and cannot be read, order replacement decals from your local dealer.

Before operating your snow thrower, read the safety decals as shown on your snow thrower. The cautions and warnings are for your safety. To avoid a personal injury or damage to your snow thrower, understand and follow all the safety decals.



6 5 4 3 2 1 ← → R1 R2

**Part No. 1737872**  
Shift Decal

**Part No. 1737869**  
Auger Control Decal

**Part No. 1737870**  
Traction Control Decal

**Engine Decals**

**WARNING** **AVERTISSEMENT**  
Read and follow Operating Instructions before starting engine.  
Lisez et suivez le mode d'emploi avant de faire tourner le moteur.  
Gasoline is flammable. Allow engine to cool at least 2 minutes before refueling.  
L'essence est inflammable. Laissez refroidir le moteur pendant au moins 2 minutes avant de faire le plein.  
Engines emit carbon monoxide. DO NOT run in enclosed area.  
Les moteurs émettent du monoxyde de carbone. NE PAS faire tourner le moteur dans des espaces clos.  
Throttle area temperature may exceed 150° F. Do not touch hot parts.  
L'arbre du déclencheur, la température peut dépasser 150° F. Ne pas toucher des pièces chaudes.

**Part No. 278297**

**IMPORTANT ENGINE INFORMATION**  
BRIGGS & STRATTON CORPORATION  
FAMILY XXXXX XXXXX XXXXX  
THIS ENGINE MEETS OR EXCEEDS EPA PHASE 2 EMISSION REGULATIONS FOR SMALL OFF-ROAD ENGINES. REFER TO OWNER'S MANUAL FOR MAINTENANCE SPECIFICATIONS, ADJUSTMENTS, AND EMISSIONS COMPLIANCE INFORMATION.  
EPA EMISSIONS COMPLIANCE PERIOD: CATEGORY: X  
CA COMPLIANCE PERIOD: X  
DISP: XXXcc #1\*97858A\*XXXXX\*XXXX\*XX

**Part No. 277953**

**Product ID Number & Serial Number Decal (Rear of Motor Box)**

**DANGER**

<p><b>Amputation Hazard</b></p> <ul style="list-style-type: none"> <li>Contact with auger will cause serious injury.</li> <li>Keep hands, feet and clothing away.</li> <li>Keep bystanders away.</li> </ul>		<p><b>Risque d'amputation</b></p> <ul style="list-style-type: none"> <li>Tout contact avec la tarière provoquera de graves blessures.</li> <li>Tenez vos pieds, vos mains et vêtements à distance.</li> <li>Tenez les spectateurs à distance.</li> </ul>
<p><b>Thrown Objects Hazard</b></p> <ul style="list-style-type: none"> <li>Never direct discharge chute towards persons or property.</li> </ul>		<p><b>Danger objets projetés</b></p> <ul style="list-style-type: none"> <li>Ne jamais diriger le chute en direction des personnes ou biens matériels.</li> </ul>
<p>Read the operator's manual for operating and safety instructions.</p>		<p>Lisez les consignes de sécurité et d'utilisation dans le manuel d'utilisation.</p>
<p>Shut off engine and remove key before performing maintenance or repair work.</p>		<p>Arrêter le moteur et retirer la clé avant d'effectuer tout entretien ou toute réparation.</p>

This mark label section complies with the Canadian standard CAN 1200. Ce panneau d'information est conforme de spécifications canadiennes de norme ANSI Z39-31 Canada.

**Part No. 1737866**  
Auger Danger Decal

**Part No. 1737865**  
Chute Danger Decal

# ASSEMBLY

## TOOLS REQUIRED FOR ASSEMBLY

- 1 – Knife
- 2 – 1/2" wrenches (or adjustable wrenches)
- 2 – 9/16" wrenches (or adjustable wrenches)
- 2 – 3/4" wrenches (or adjustable wrenches)
- 1 – 3/8" wrenches (or adjustable wrenches)
- 1 – Pair pliers or screw driver

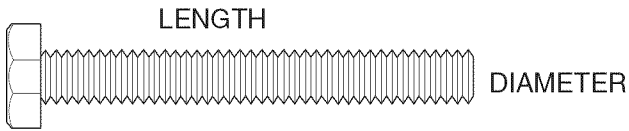
## CONTENTS OF SHIPPING CARTON

- 1 – Snow Thrower
- 1 – Container of Fuel Stabilizer (Located in Parts Bag)
- 1 – Snow Chute Assembly
- 1 – Crank Assembly
- 1 – Parts Bag

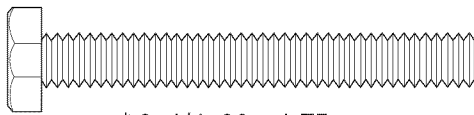


**WARNING: Always wear safety glasses or eye shields while assembling snow thrower.**

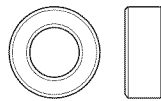
### HOW TO MEASURE SCREW SIZE



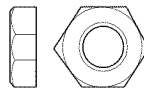
## PARTS BAG CONTENTS



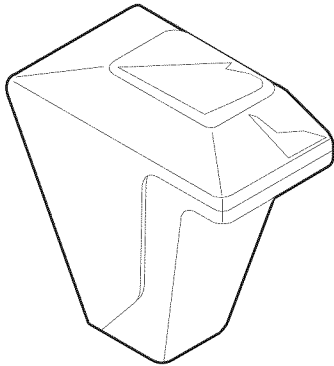
\* 2-1/4-20 x 1.75



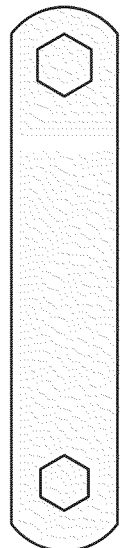
\* 2-Spacer



\* 2-1/4-20  
Hex nut



1 – Shifter Knob  
(not actual size)



\* 2 – Wrenches

\*Non Assembly parts and power cord can be found in the Parts Bag shipped with the snow thrower. The parts can be stored in the tool box located on top of the belt cover.

NOTE: Reference to right and left hand side of the snowthrower is from the operator's position at the handle.

**UNPACKING**

1. Using knife, cut along the dotted lines around the top and bottom of carton. Then remove carton material as shown in Figure 2.
2. Remove shear pins and cotter pins from parts bag and place in shear bolt storage box.
3. Locate and remove the parts bag.

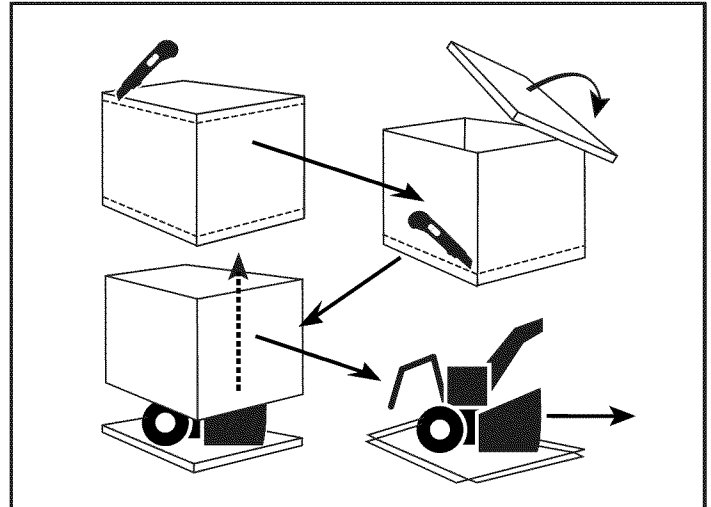
NOTE: Set the fuel stabilizer aside until adding gasoline to the fuel tank. We recommend that fuel stabilizer be added to the fuel each time the tank is filled.

4. Roll the snowthrower off the carton by pulling on the lower handle.

CAUTION: DO NOT back over cables.

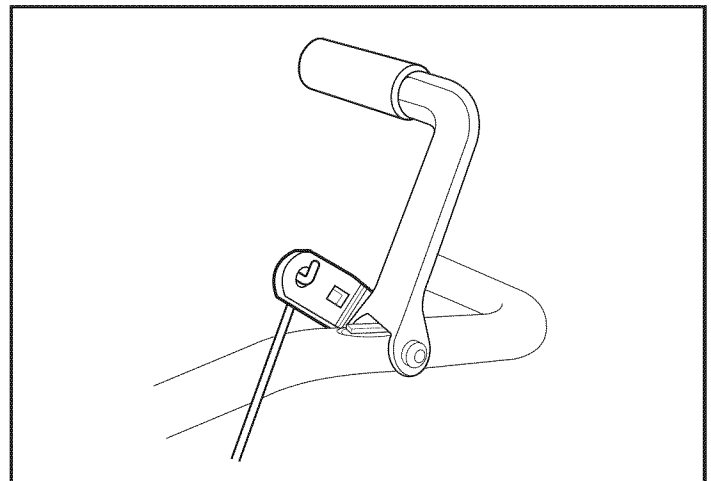
5. Remove the packing material from the handle assembly.
6. Cut ties securing the clutch control cables to the lower handle.

NOTE: If the cables have become disconnected from the clutch levers, reinstall the cables as shown in Figure 3.



Unpacking the Snowthrower

**Figure 2**



Clutch Control Cables

**Figure 3**

# ASSEMBLY

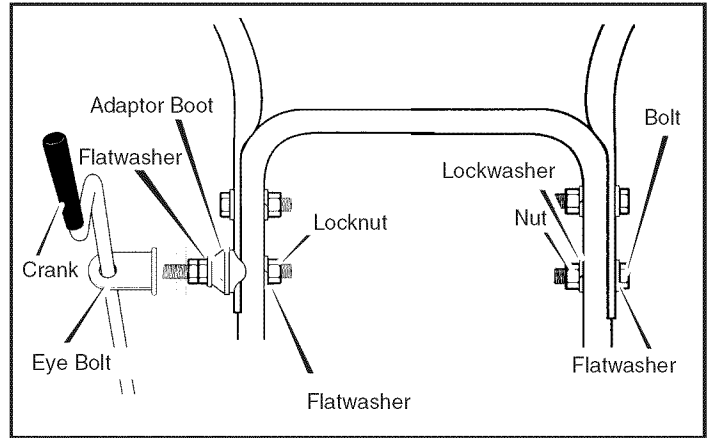
## UPPER HANDLE AND CRANK ASSEMBLY

1. Loosen, but do not remove the screws, flatwashers, lockwashers, and hex nuts in the upper holes of the lower handle (see Figure 4).
2. Remove the fasteners and the crank assembly eyebolt from the lower holes of the lower handle.
3. Raise upper handle into operating position. Upper handle should be to the outside of the lower handle.

**NOTE:** Make sure the cables are not caught between the upper and lower handle.

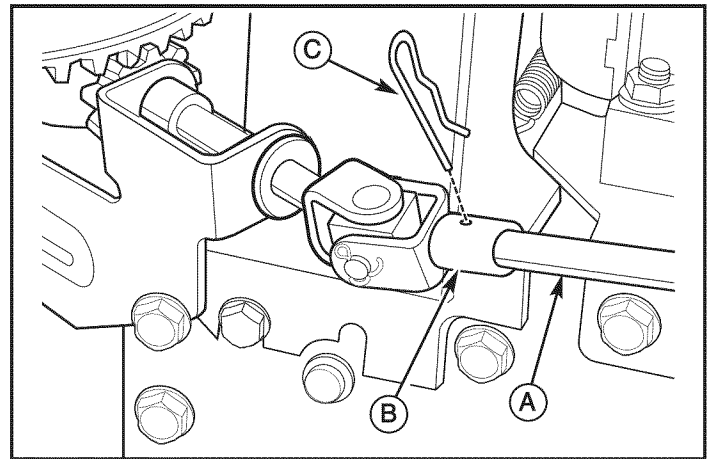
4. Install the fasteners and the crank assembly eyebolt that were removed in step 2. DO NOT tighten until all fasteners are in place.
5. Attach the crank rod (A, Figure 5) to the universal joint assembly (B) with the hair pin (C).
6. Tighten nut on eye bolt. Make sure eye bolt is properly aligned and the crank can freely rotate (see Figure 4).
7. Tighten all handle bolts.

**NOTE:** Make sure crank does not touch carburetor cover.



Upper Handle Assembly

Figure 4



Crank Assembly

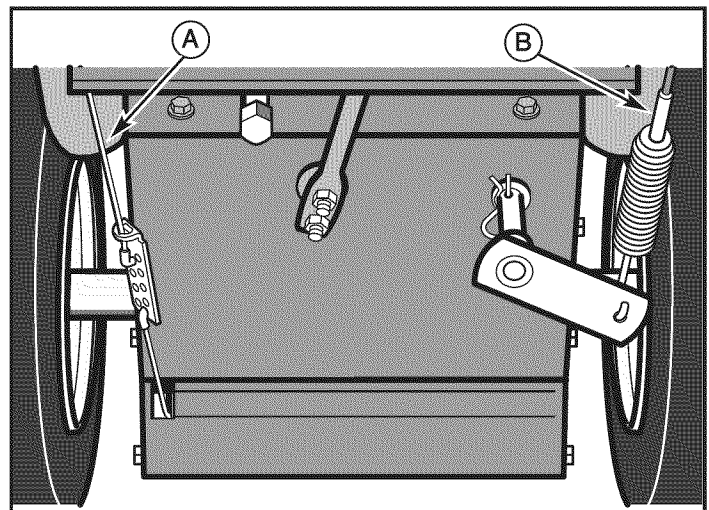
Figure 5

## CHECK THE CABLES

1. If control cables have become unattached from motor mount frame, re-connect cables as shown in Figure 6.
2. For cable adjustments, see "Check and Adjust the Cables" in the MAINTENANCE section.

## SET THE LENGTH OF THE CABLES

The traction drive and auger drive cables (A and B, Figure 6) were adjusted at the factory and no adjustments should be necessary. However, after the handles are put in the operating position, the cables can be too tight or too loose. If an adjustment is necessary, see "Check and Adjust the Cables" in the MAINTENANCE section.

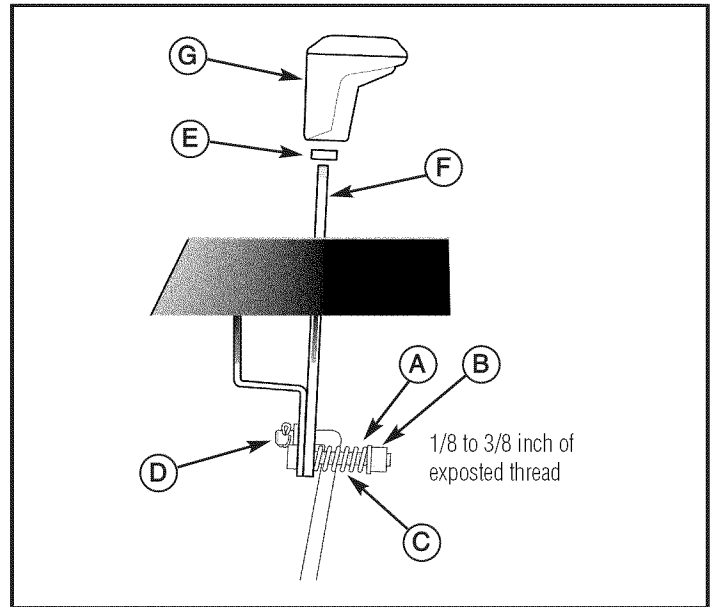


Check the Cables

Figure 6

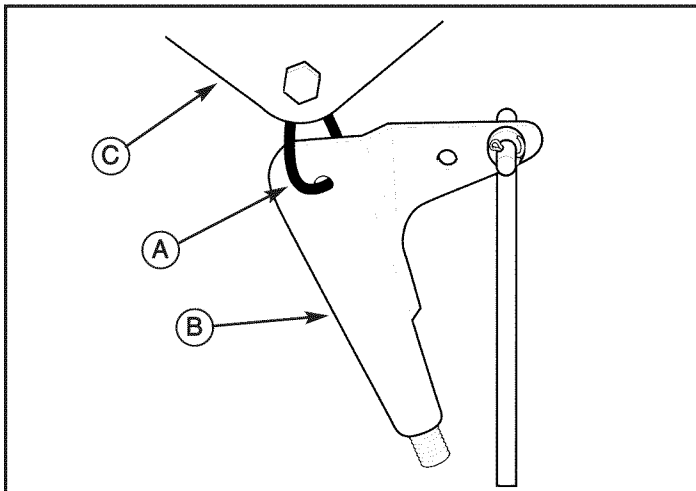
**SPEED SELECT LEVER ASSEMBLY**

1. Cut plastic tie (A, Figure 7) securing speed select lever assembly (B) to the shifter bracket (C).
2. Remove locknut (A, Figure 8), washer (B), spring (C), and bolt (D).  
**NOTE: View is from right side of unit standing in operator's position.**
3. Position speed selector lever assembly as shown in Figure 9.
4. Reinstall bolt (D, Figure 8), spring (C), washer (B) and locknut (A).
5. Tighten locknut until 1/8 to 3/16 inch of the bolt threads protrude past the locknut.
6. Thread the 3/8-16" hex jam nut (E) onto the lever (F) until the nut reaches the end of the thread.
7. Thread the plastic knob (G) as far as possible and ensure that the knob points forward.
8. Tighten the 3/8-16" hex jam nut against the knob securely.
9. Move shifter through all speeds to ensure proper tension of the spring. If shifter lever sticks in any of the notches, loosen locknut 1/2 turn at a time until shifter lever moves more freely.



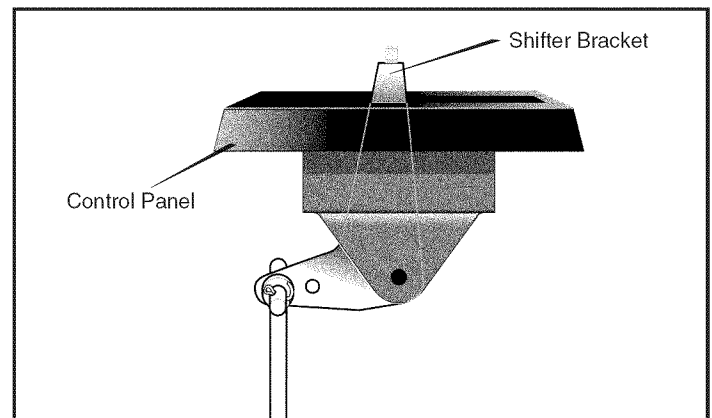
Shifter Handle

**Figure 8**



Shift Lever and Bracket

**Figure 7**



Control Panel and Shifter Bracket

**Figure 9**

## ASSEMBLY

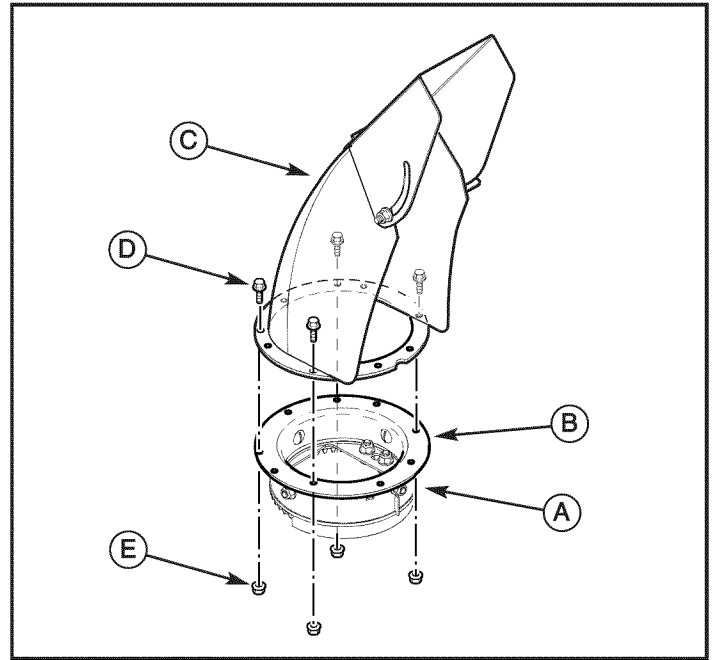
### SNOW CHUTE ASSEMBLY

NOTE: The chute ring assembly (A, Figure 10) comes installed on the unit from the factory.

1. Turn crank assembly (Figure 4) until the arrow on outer ring (B, Figure 10) of chute ring assembly points forward.

NOTE: Make sure the slot in the chute ring aligns with the arrow on the outer ring.

2. Install chute deflector (C) using four screws (D) and nuts (E) in holes as shown. The chute deflector must point forward for proper installation.
3. Tighten screws snugly but be careful not to over-tighten.



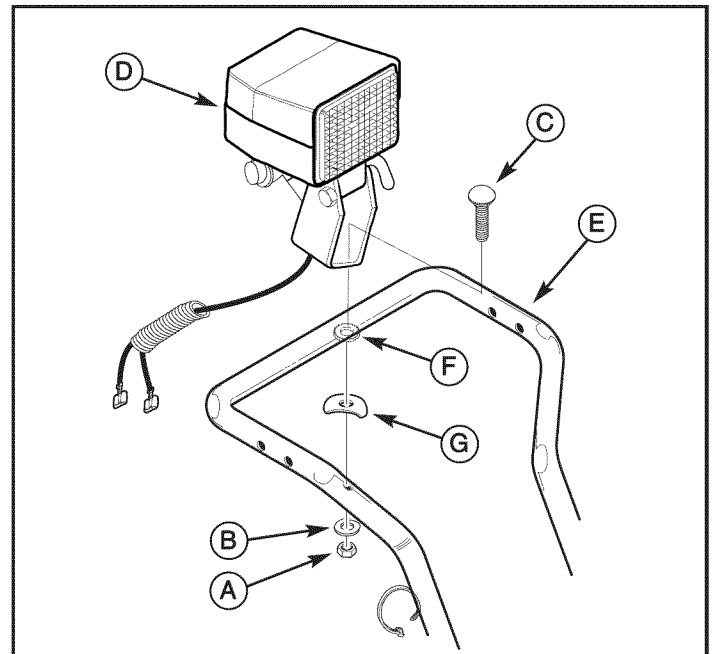
Snow Chute Assembly

Figure 10

### HEADLIGHT ASSEMBLY

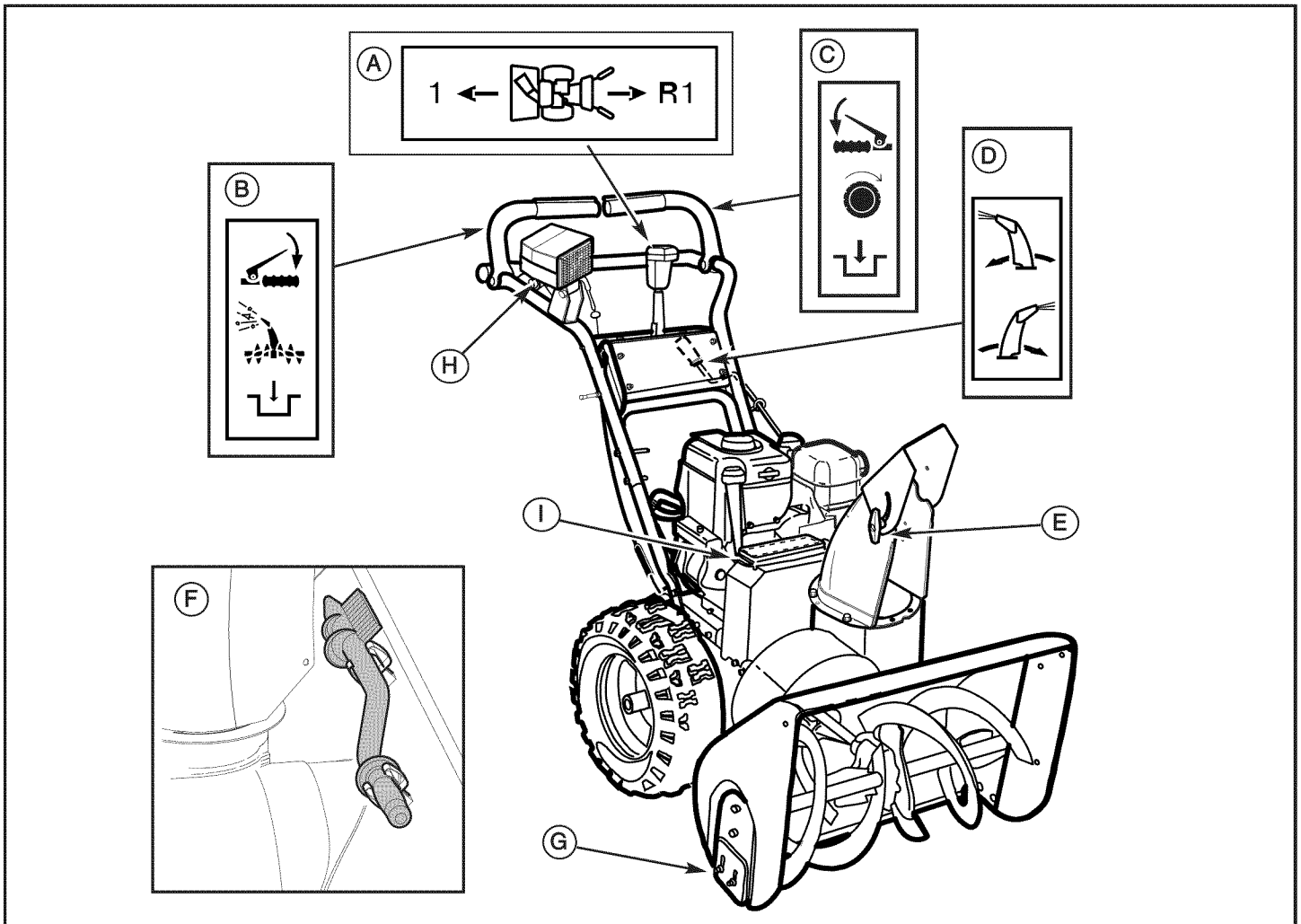
The headlight is mounted on the right side of the upper handle. It is installed upside-down for shipping purposes.

1. Remove the nut (A, Figure 11) and lockwasher (B) from the carriage bolt (C).
2. Turn the headlight (D) to the top side of the upper handle (E). Ensure external tooth lockwasher (F) and saddle washer (G) are in place as shown in Figure 11.
3. Install the nut and lockwasher to secure the headlight to the handle. The headlight should point toward the snow clearing path.



Headlight Assembly

Figure 11



Snow Thrower Controls

Figure 12

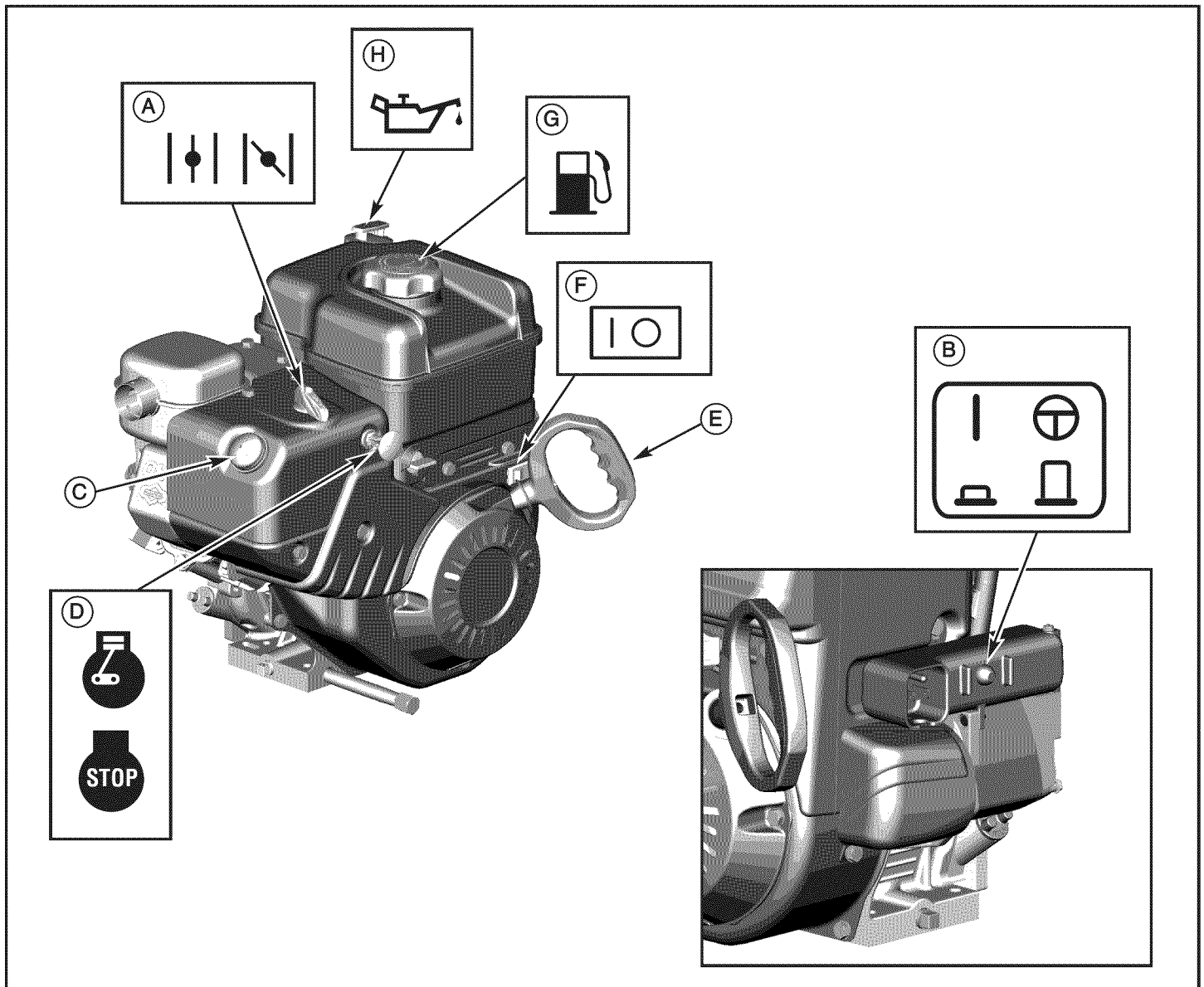
## SNOW THROWER AND ENGINE CONTROLS

### SNOW THROWER CONTROLS

- A. Speed Select Lever** — Allows the operator to use one of six (6) forward and two (2) reverse speeds (see Figure 12). To shift, move speed select lever to desired position.  
**NOTICE: Do not move speed select lever while Traction Drive Clutch is engaged. This may result in severe damage to drive system.**
- B. Auger Drive Clutch Lever** — Used to engage and disengage the auger and impeller. To engage push down, to disengage release.
- C. Traction Drive Clutch Lever** — Used to propel snow thrower forward or reverse. Push down to engage, release to disengage.
- D. Chute Rotation Crank** — Used to change direction of the snow discharge. Turn handle clockwise to turn chute to right. Turn handle counterclockwise to turn chute to left.

- E. Chute Deflector Wing Nut** — Used to control the angle of the chute deflector (up or down).
- F. Clean-Out Tool** — Used to remove snow and debris from the discharge chute and the auger housing.
- G. Skid Shoe** — Used to adjust ground clearance of auger housing.
- H. Headlight** — Used to operate the snow thrower in poor lighting conditions.
- I. Toolbox** — Spare shear pins, shear bolt wrenches and spacers are located in toolbox.

## FEATURES AND CONTROLS



Engine Controls

Figure 13

### ENGINE CONTROLS

- A. Choke Control Knob** — Used to start a cold engine (see Figure 13).
- B. Electric Start Button** — Used to start the engine using the electric starter.
- C. Primer Button** — Used to inject fuel directly into the carburetor manifold to ensure fast starts in cool weather.
- D. Safety Key** — Must be inserted to start engine. Pull out to stop. Do not turn safety key.

- E. Starter Cord Handle** — Used to start the engine manually.
- F. ON/OFF Switch** — Used to start and stop the engine.
- G. Fuel Tank and Cap** — Fill the fuel tank to approximately 1-1/2 in. (38 mm) below the top of the neck to allow for fuel expansion.
- H. Oil Fill Cap (Extended Dipstick)**



## BEFORE OPERATING SNOW THROWER

- ☐ Check the fasteners. Make sure all fasteners are tight.
- ☐ Read this OPERATOR'S MANUAL and OPERATOR SAFETY before operating your snow thrower. Compare the illustrations with your SNOW THROWER to familiarize yourself with the location of various controls and adjustments. Save this manual for future reference.

**NOTE:** This snow thrower was shipped WITH OIL in the engine. See "Before Starting Engine" instructions in the OPERATION section of this manual before starting engine.



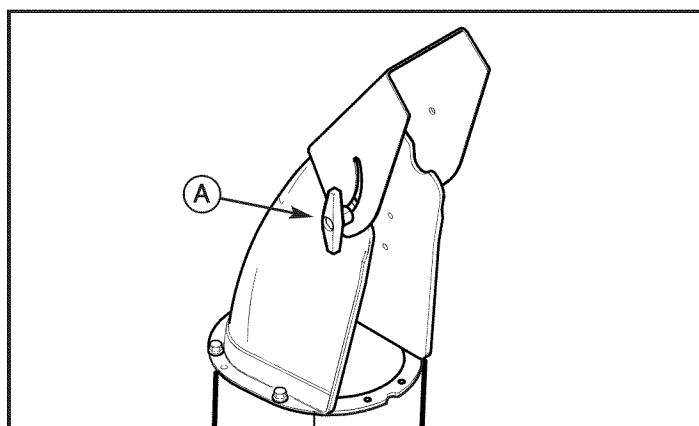
**WARNING:** The operation of any snow thrower can result in foreign objects being thrown into the eyes, which can result in severe eye damage. Always wear safety glasses or eye shields before beginning snow thrower operation. We recommend standard safety glasses or Wide Vision Safety Mask over spectacles.

## OPERATE THE SNOW THROWER

The most effective use of the snow thrower will be established by experience, taking into consideration the terrain, wind conditions, and building location which will determine the direction of the discharge chute.

**NOTICE:** Do not throw snow toward a building as hidden objects could be thrown with sufficient force to cause damage.

1. Start the engine. See "To Start Engine" in this section.
2. Rotate the crank (A, Figure 12) to set the direction (left or right) of the discharge chute.
3. Adjust the snow chute deflector. Loosen the wing nut (A, Figure 14) on the side of the snow chute and raise the chute deflector for more distance, or lower it for less distance. Then tighten the wing nut.



Adjust Chute Deflector

Figure 14



**CAUTION:** Before operating, make sure the area in front of the snow thrower is clear of bystanders or obstacles.

**NOTE:** Always release the traction control lever before moving the speed select lever.

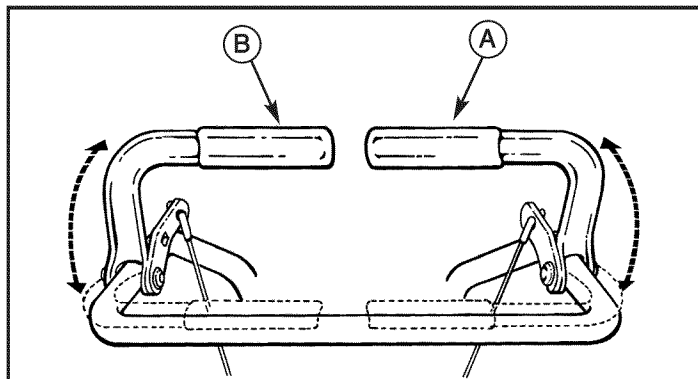
4. Use the speed select lever (A, Figure 12) to select the forward drive speed. Set the speed select lever to one of the following positions as determined by snow conditions:
  - 1-2 Wet, Heavy, Slushy, Extra Deep
  - 3 Moderate
  - 4-5 Very Light
  - 6 Transport

**NOTE:** When clearing wet, heavy, snow, it is recommended that the ground speed of the unit be reduced, maintain full throttle, and do not attempt to clear the full width of the unit.

5. Engage the auger drive clutch lever (A, Figure 15).

**DOWN Engage Position**  
**UP Disengage Position**

6. Engage the traction drive clutch lever (B). As the snow thrower starts to move, maintain a firm hold on the handles and guide the snow thrower along the cutting path. Do not attempt to push the snow thrower.
7. To stop forward motion, release the traction drive clutch lever (B).



Control Levers

Figure 15

8. To stop the auger, release the auger drive clutch lever (A).
9. To move the snow thrower backwards, move the speed select lever (A, Figure 12) into first or second reverse (R1 or R2), and engage the traction drive clutch lever (B, Figure 15).



**WARNING:** Never run engine indoors or in an enclosed, poor ventilated area. Engine exhaust contains CARBON MONOXIDE, an ODORLESS and DEADLY GAS.

- Keep hands, feet, hair, and loose clothing away from any moving parts on engine and snow thrower.
- Temperature of muffler and nearby areas can exceed 150°F (66°C). Avoid these areas.
- DO NOT allow children or young teenagers to operate or be near snow thrower while it is operating.

## OPERATION

**WARNING:** Read Operator's Manual before operating machine. This machine can be dangerous if used carelessly.

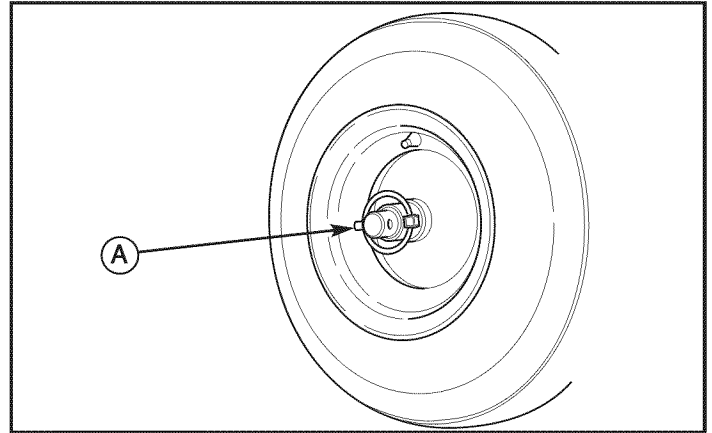
- Never operate the snow thrower without all guards, covers, shields in place.
- Never direct discharge towards windows or allow bystanders near machine while engine is running.
- Stop the engine whenever leaving the operating position.
- Disconnect spark plug before unclogging the impeller housing or the discharge chute and before making repairs or adjustments.
- When leaving the machine, remove the safety key. To reduce the risk of fire, keep the machine clean and free from spilled gas, oil, and debris.

### STOP THE SNOW THROWER

1. Release the traction drive clutch lever (B, Figure 15).
2. Push the ON/OFF switch (A, Figure 22) to the OFF position and pull out the safety key (B).

### TRACTION LOCK PINS

The right traction wheel can be completely released using the locking pin (A, Figure 16). This allows the unit to be easily moved with the engine off.



Traction Lock Pins

Figure 16

### CHECK THE OIL (BEFORE STARTING ENGINE)

**NOTE:** The engine was shipped from the factory filled with oil. Check the level of the oil. Add oil as needed.

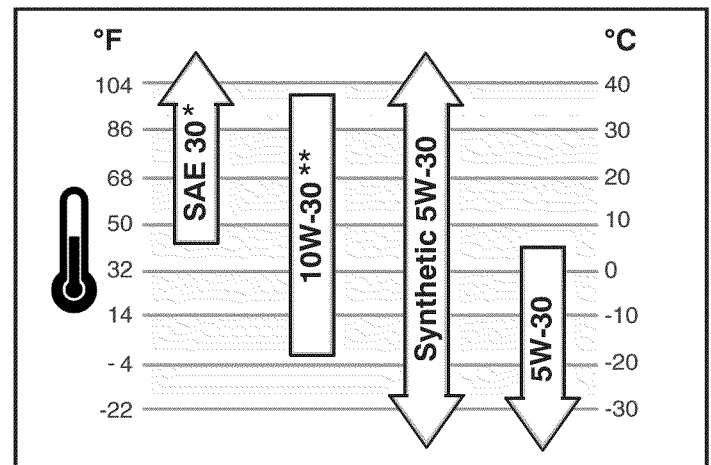
1. Make sure the unit is level. Use a high quality detergent oil classified "For Service SF, SH, SJ, SL, or higher".
2. Remove the oil fill cap/dipstick (A, Figure 17) and wipe with a clean cloth.
3. Insert the oil fill cap/dipstick and turn clockwise to tighten.
4. Remove the oil fill cap/dipstick and check the oil.

**NOTE:** Do not check the level of the oil while the engine runs.

5. If necessary, add oil until the oil reaches the FULL mark on the oil fill cap/dipstick. Do not add too much oil.
6. Tighten the oil fill cap/dipstick securely each time you check the oil level.

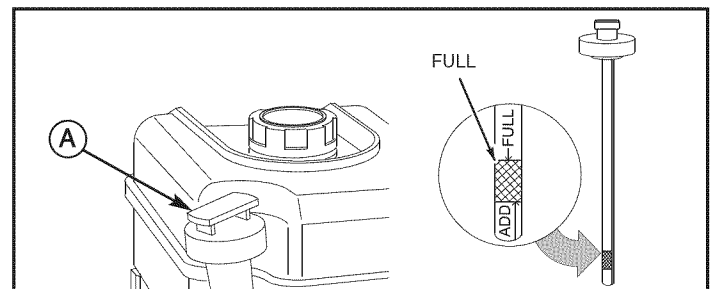
**NOTE:** For extreme cold operating conditions of 0°F (-18°C) and below, use a synthetic 5W30 motor oil for easier starting.

**NOTE:** S.A.E. 5W30 motor oil may be used to make starting easier in areas where the temperature is 20°F (-7°C) to 0°F (-18°C). Synthetic 5W30 is acceptable for all temperatures. DO NOT mix oil with gasoline. See Chart for oil recommendations.



\* Below 40°F (4°C) the use of SAE 30 will result in hard starting.

\*\* Above 80°F (27°C) the use of 10W-30 may cause increased oil consumption. Check oil level more frequently.



Checking the Oil

Figure 17

**FILL THE FUEL TANK**

This engine is certified to operate on gasoline. Exhaust Emission Control System: EM (Engine Modifications).

Fill the fuel tank with fresh, clean, unleaded regular, unleaded premium, or re-formulated automotive gasoline with a minimum of 85 octane along with a fuel stabilizer (follow instructions on fuel stabilizer package). **DO NOT** use leaded gasoline. We recommend that fuel stabilizer be added to the fuel each time that gasoline is added to the fuel tank.

**NOTE: Winter grade gasoline has higher volatility to improve starting. Be certain container is clean and free from rust or other foreign particles. Never use gasoline that may be stale from long periods of storage in the container.**

**CAUTION: DO NOT use gasoline containing any amount of alcohol as it can cause serious damage to the engine or significantly reduce the performance.**

**WARNING: Gasoline is flammable. Always use caution when handling or storing gasoline. Turn engine off and let engine cool at least two minutes before removing the gas cap. Do not add gasoline to the fuel tank while snow thrower is running, hot, or when snow thrower is in an enclosed area. Keep away from open flame, electrical sparks and DO NOT SMOKE while filling the fuel tank. Never fill the fuel tank completely; but fill the fuel tank to within 1-1/2 inches (3.8 mm) from the top to provide space for the expansion of the fuel. Always fill fuel tank outdoors and use a funnel or spout to prevent spilling. Make sure to wipe up any spilled fuel before starting the engine.**

Store gasoline in a clean, approved container, and keep the cap in place on the container. Keep gasoline in a cool well ventilated place; never in the house. Never buy more than a 30 day supply of gasoline to assure volatility. Gasoline is intended to be used as a fuel for internal combustion engines; therefore, do not use gasoline for any other purpose. Since many children like the smell of gasoline, keep it out of their reach because the fumes are dangerous to inhale, as well as being explosive.

**START THE ENGINE**

Be sure that engine oil is at FULL mark on the oil fill cap/dipstick. The snow thrower engine is equipped with an A.C. electric starter and recoil starter. Before starting the engine, be certain that you have read the following information.

If engine floods, set the choke to the OPEN/RUN position and crank until the engine starts.

**WARNING: The electric starter is equipped with a three-wire power cord and plug designed to operate on AC house hold current. The power cord must be properly grounded at all times to avoid the possibility of electric shock which can cause injury to the operator. Follow all instructions carefully as set forth:**

Make sure your house has a three-wire grounded system.

If you are not sure, ask a licensed electrician. If your house does not have a three-wire grounded system, do not use this electric starter under any condition.

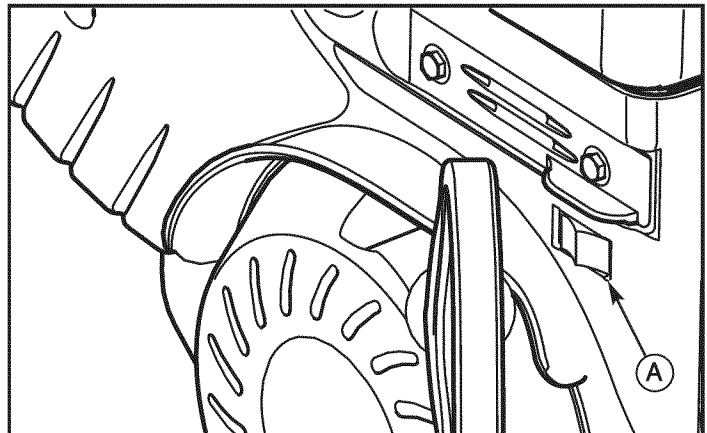
If your house has a three-wire grounded system but a three-hole receptacle is not available to connect the electric starter, have a three-hole receptacle installed by a licensed electrician.

**WARNING: To connect power cord, always connect the power cord first to the switch box located on the engine and then plug the other end into a three-hole grounded receptacle.**

**WARNING: To disconnect the power cord, always unplug the end connected to the three-hole grounded receptacle first.**

**Start the engine as follows:**

1. Check the oil level. See the "Check/Add Oil" section in the ENGINE MANUAL.
2. Make sure equipment drive controls are disengaged.
3. Push the ON /OFF switch (A, Figure 18) to the ON position.



Starting Engine

**Figure 18**

4. Insert the safety key (A, Figure 19) into the safety key slot and push fully in to the RUN position.
5. Turn the choke knob (B) fully clockwise if engine is cold.

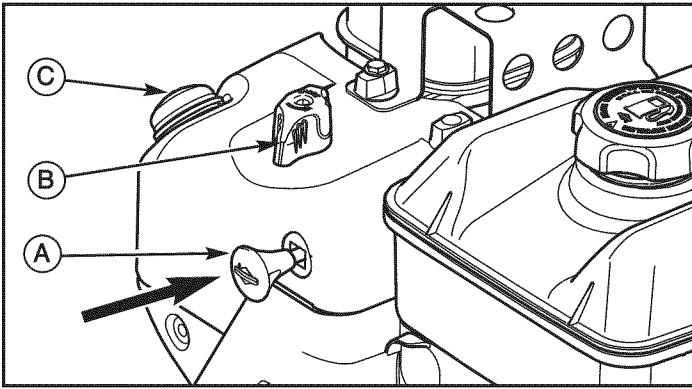
**NOTE: Do not use the choke to start a warm engine.**

6. Push the primer button (C) two times.

**NOTE: Do not use the primer to start a warm engine.**

**NOTE: Ensure that electric extension cord is removed from the power receptacle.**

## OPERATION



Inserting Safety Key

Figure 19

7. **Rewind Start:** Firmly hold the starter cord handle (A, Figure 20). Pull the starter cord handle slowly until resistance is felt, then pull rapidly.

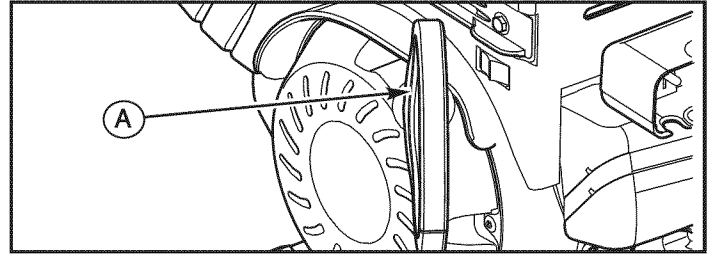
**WARNING:** Rapid retraction of the starter cord (kickback) will pull your hand and arm toward the engine faster than you can let go. Broken bones, fractures, bruises, or sprains could result. When starting engine, pull the starter cord slowly until resistance is felt and then pull rapidly to avoid kickback.

**NOTE:** If the engine does not start after three attempts, see the Engine Manual Troubleshooting section.

8. **Electric Start:** First connect the extension cord to the power cord receptacle and then into a wall receptacle. If additional extension cord is required, make sure it is three-wire.

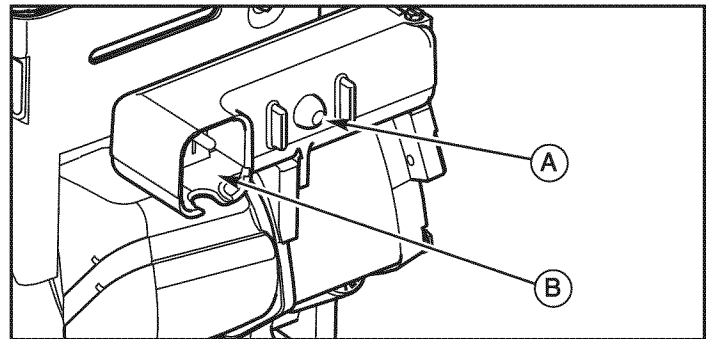
**WARNING:** If the extension cord is damaged, it must be replaced by the manufacturer (or its service agent) or a similarly qualified person to avoid a hazard.

9. **Electric Start:** Depress the starter push button (A, Figure 21). After you start the engine, first disconnect the extension cord from the wall receptacle and then from the power cord receptacle (B).



Starting with Cord Handle

Figure 20



Starting with Electric Start

Figure 21

**IMPORTANT:** To extend the life of the starter, use short starting cycles (five seconds maximum). Wait one minute between starting cycles.

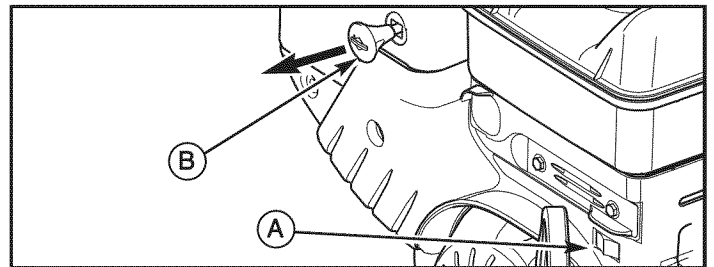
**NOTE:** If the engine does not start after three attempts, see the Engine Manual Troubleshooting section.

## STOP THE ENGINE

Before stopping the engine for a few minutes to help dry off any moisture on the engine.

**WARNING:** Gasoline and vapors are extremely flammable and explosive. Fire or explosion can cause severe burns or death. DO NOT choke the carburetor to stop the engine.

1. Push the ON/OFF switch (A, Figure 22) to the OFF position.
2. Remove the safety key (B). Keep the safety key out of the reach of children.



Stopping Engine

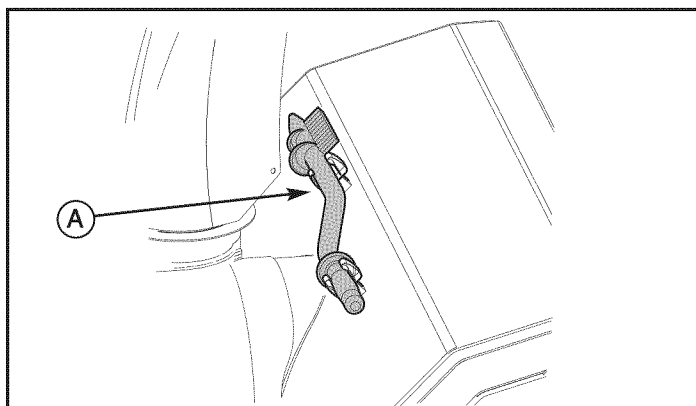
Figure 22

**CLEAR A CLOGGED DISCHARGE CHUTE**

**WARNING:** Hand contact with the rotating impeller inside the discharge chute is the most common cause of injury associated with snow throwers. Never clear or unclog discharge chute with your hands, or while engine is running. Fingers can quickly become caught and traumatic amputation or severe laceration can result.

- SHUT OFF THE ENGINE!
- Wait 10 seconds to be sure that the impeller blades have stopped rotating.
- Always use a clean-out tool, not your hands.

A clean-out tool (A, Figure 23) is attached to either the handle or the top of the auger housing. Use the clean-out tool to remove snow from the auger housing.



Clean-Out Tool

**Figure 23**

**OPERATING TIPS**

1. Most efficient snowthrowing is accomplished when snow is removed immediately after it falls.
2. For complete snow removal, slightly overlap each swath previously taken.
3. Snow should be discharged downwind whenever possible.
4. For normal usage, set the skids 1/8 inch (3 mm) below the scraper bar. For extremely hard-packed snow surfaces, the skids may be adjusted upward to ensure cleaning efficiency.
5. On gravel or crushed rock surfaces, the skids should be set at 1-1/4 inch (32 mm) below the scraper bar (see "Adjust Skid Height" in the MAINTENANCE section of this manual). Rocks and gravel must not be picked up and thrown by the machine.
6. After the snowthrowing job has been completed, allow the engine to idle for a few minutes, to melt snow and ice accumulated on the engine.
7. Clean the snow thrower thoroughly after each use.
8. Remove ice and snow accumulation and all debris from the entire snow thrower, and flush with water (if possible) to remove all salt or other chemicals. Wipe snow thrower dry.
9. Before starting snow thrower, always inspect augers and impeller for ice accumulation and/or debris, which could result in snow thrower damage.
10. Check oil level before every start. Make sure the oil is at the FULL mark on the oil fill cap/dipstick.

# MAINTENANCE

SERVICE RECOMMENDATIONS									
PROCEDURE		FIRST 5 HOURS	BEFORE EACH USE	AFTER EACH USE	EVERY 5 HOURS	EVERY 10 HOURS	EVERY 25 HOURS	BEGINNING EACH SEASON	BEFORE STORAGE
SAFETY	Check to Make Sure Auger Blade Stops Within 5 Seconds After Right Control Lever is Released		✓						
	Lubricate Control Levers and Linkages	✓				✓		✓	
SNOWTHROWER	Check Snowthrower for Loose Hardware				✓			✓	
	Lubricate Hex Shaft and Chains							✓	✓
	Lubricate Auger Shaft Fittings					✓			✓
	Lubricate Chute Rotation Gear and Deflector Mechanism						✓		
	Remove All Snow and Slush off Snowthrower to Prevent Freezing of Auger or Controls			✓					
	Check Tire Pressure						✓		
ENGINE	Oil, Check		✓		✓		✓	✓	
	Oil, Change	✓						✓	
	Check and Replace Spark Plug						✓	✓	

**NOTE:** The warranty on this snowthrower does not cover items that have been subjected to operator abuse or negligence. To receive full value from the warranty, operator must maintain snowthrower as instructed in this manual.

The above **Service Recommendations** are supplied to assist the operator to properly maintain the snowthrower.



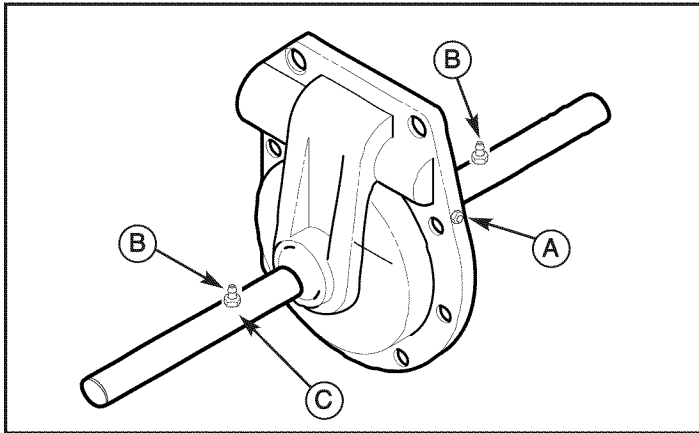
**CAUTION:** Do not allow grease or oil to contact the rubber friction wheel or the disc drive plate. If the disc drive plate or friction wheel come in contact with grease or oil, damage to rubber friction wheel will result.

**NOTICE:** If grease or oil comes into contact with the disc drive plate or friction wheel, make sure to clean plate and wheel thoroughly with an alcohol base solvent.

**LUBRICATE AUGER GEAR BOX**

The auger gear box is lubricated at the factory and should not require additional lubrication. If for some reason the lubricant should leak out, or if the auger gear box has been serviced, add Lubriplate GR132 Grease or equivalent. Maximum 3-1/4 ounces, (92 grams) should be used.

Remove filler plug (A, Figure 24), once a year. If grease is visible, do not add. If grease is not visible, use a piece of fine wire, like a dipstick to check if there is grease in the gear box. Mobilux EP1 and Shell Alvania EP1 are suitable equivalents.



Lubricating Auger Gear Box

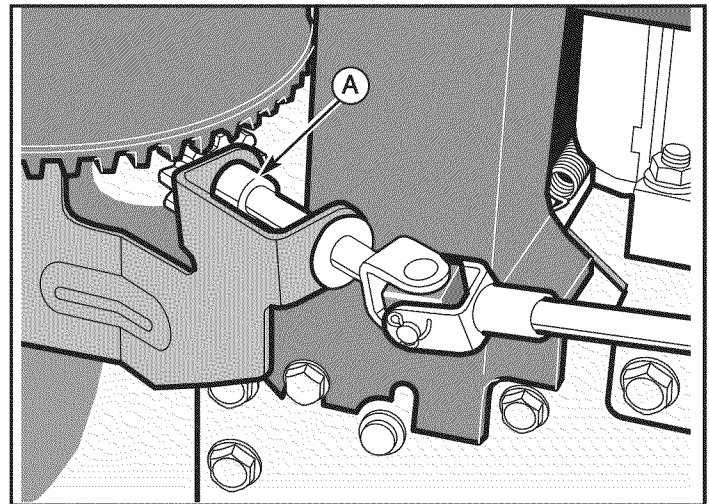
**Figure 24**

**LUBRICATE AUGER SHAFT FITTINGS**

1. Using a hand grease gun, lubricate the auger shaft fittings (B, Figure 24) every ten (10) operating hours. Each time a shear pin is replaced, the auger shaft (C) MUST be greased. (See "Auger Shear Pin Replacement" section.)
2. For storage or when replacing shear pins, remove shear pins and lubricate auger shaft fittings (B). Rotate augers several times on the shaft and reinstall the shear pins.

**LUBRICATE CHUTE ROTATION GEAR**

Lubricate the chute rotation gear (A, Figure 25) and shaft (B) with automotive type oil every twenty-five (25) operating hours.



Chute Rotation Gear

**Figure 25**

# MAINTENANCE

## ENGINE MAINTENANCE

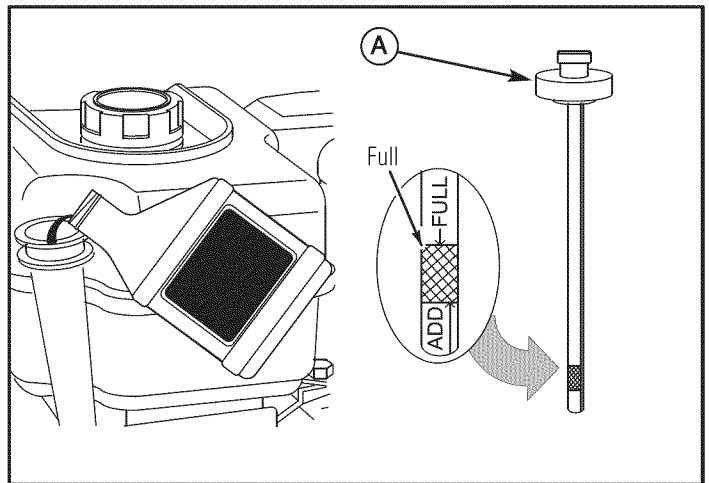
**Check Crankcase Oil Level** - Before starting engine and after each 8 hours of continuous use. Add the recommended motor oil as required.

**NOTE: Over filling the engine can affect performance. Tighten the oil fill cap securely to prevent leakage.**

**Change Oil** - Every 50 hours of operation or at least once a year, even if the snow thrower is not used for fifty hours. Use a clean, high quality detergent oil. Fill the crankcase to FULL line on dipstick (A, Figure 26). Be sure original container is marked: A.P.I. service "SF" or higher. Do not use SAE10W40 oil (as it may not provide proper lubrication). **See Chart for oil recommendations.**

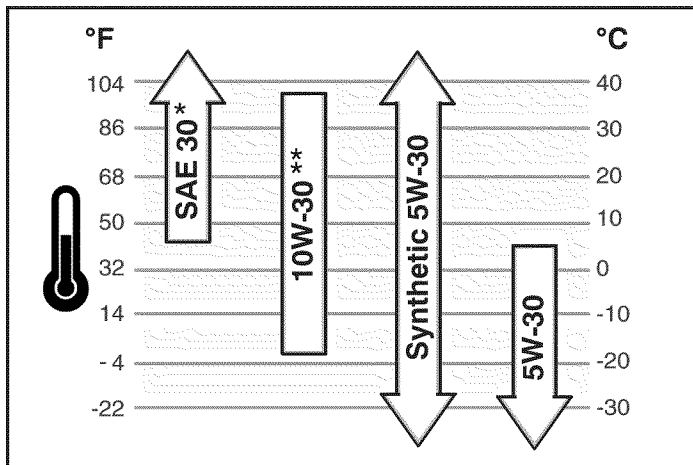
**Drain Oil** - Position snow thrower so that the oil drain plug (A, Figure 27) is lowest point on engine. When the engine is warm, remove oil drain plug and oil fill cap and drain oil into a suitable container.

Replace oil drain plug and tighten securely. Refill crankcase with the recommended motor oil.



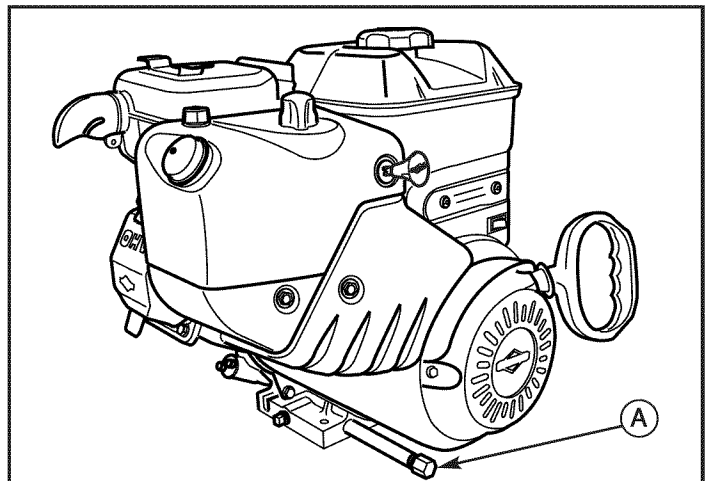
Check Crankcase Oil Level

Figure 26



\* Below 40°F (4°C) the use of SAE 30 will result in hard starting.

\*\* Above 80°F (27°C) the use of 10W-30 may cause increased oil consumption. Check oil level more frequently.



Oil Drain Plug

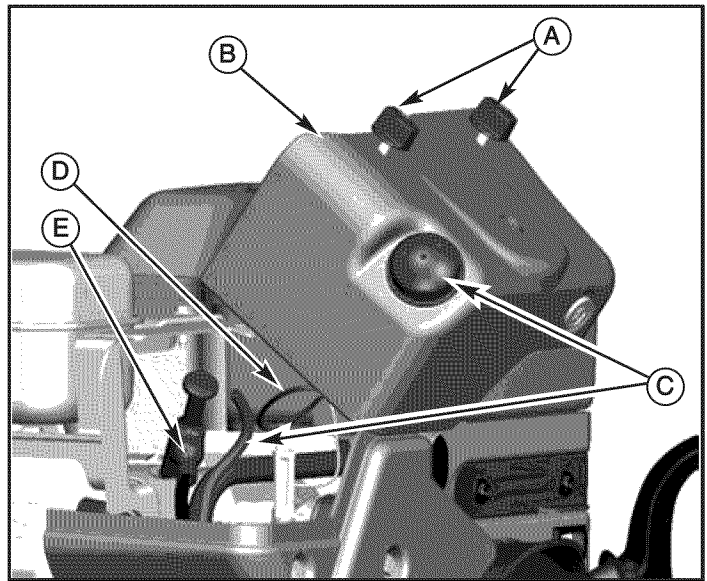
Figure 27



**CHANGE THE SPARK PLUG**

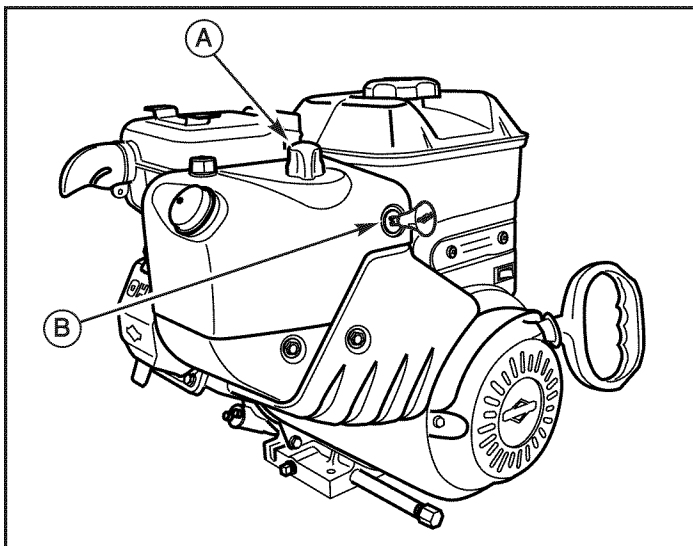
**Remove the Snow Hood**

1. Remove the choke control knob (A, Figure 28).
2. Remove the safety key (B).
3. Remove the mounting screws (A, Figure 29).
4. Slowly remove the snow hood (B) Make sure that the primer button hose (C) and the ignition wire (D) are not disconnected.
5. The spark plug (E) can now be accessed.
6. To install the snow hood, first make sure that the primer button hose and the ignition wire are connected.
7. Mount the snow hood to the engine and secure with the mounting screws.
8. Connect the choke control knob (A, Figure 30) with the choke shaft on the carburetor (B). Make sure the choke control knob is properly installed. If the choke control knob is not installed correctly, the choke will not operate.
9. Install the safety key (C).



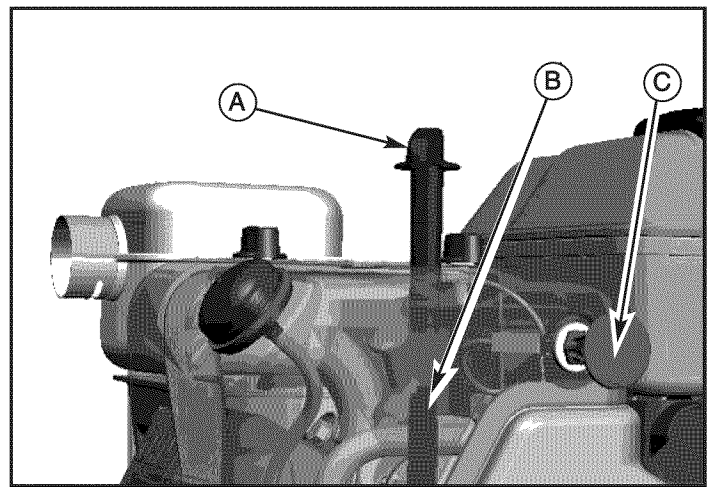
Removing the Snow Hood

**Figure 29**



Snow Thrower Engine

**Figure 28**



Connecting Choke Control Knob

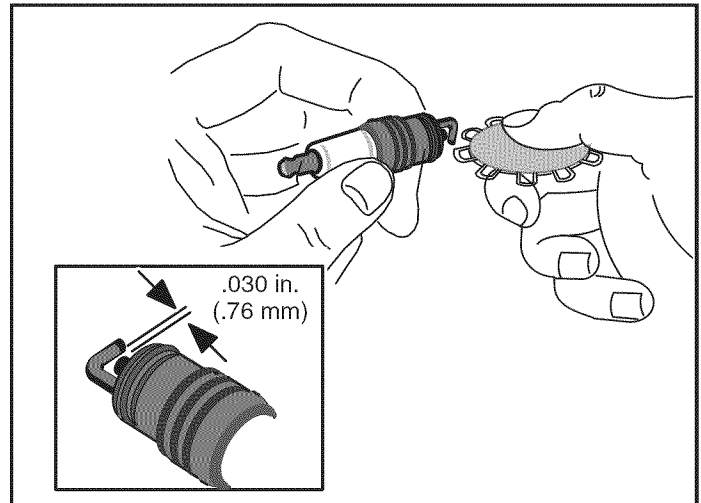
**Figure 30**

## MAINTENANCE

### Check and Replace Spark Plug

Check the spark plug every twenty-five (25) hours. Replace the spark plug (Figure 31) if the electrodes are pitted or burned or if the porcelain is cracked.

1. Remove snow hood (see "Remove the Snow Hood" section).
2. Clean spark plug and reset gap periodically.
3. Clean area around spark plug base before removal, to prevent dirt from entering engine.
4. Replace spark plug if electrodes are pitted or burned or if porcelain is cracked.
5. Clean spark plug by carefully scraping electrodes (do not sandblast or use wire brush).
6. Be sure spark plug is clean and free of foreign material. Check electrodes gap with a wire feeler gauge and reset gap to 0.030" (0.76 mm) if necessary.
7. Before installing spark plug, coat threads lightly with graphite grease to insure easy removal.
8. Tighten plug firmly into engine. If torque wrench is available, tighten plug to 18-23 ft-lbs (24.4-31.2 Nm).



Replacing Spark Plug

Figure 31

**WARNING:** Always turn unit off, remove ignition key, and disconnect the spark plug wire before making any repairs or adjustments.

### ADJUST SKID HEIGHT

This snow thrower is equipped with two height adjust skids, secured to the outside of the auger housing. These elevate the front of the snow thrower.

When removing snow from a hard surface area such as a paved driveway or walk, adjust the skids up to bring the front of the snow thrower down.

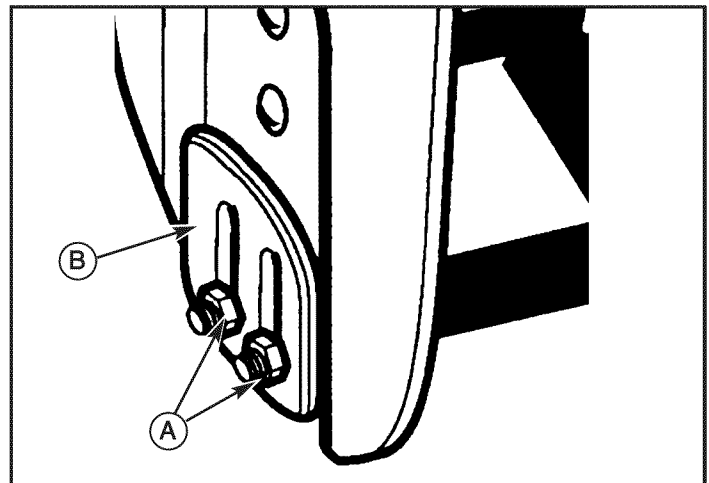
When removing snow from rock or uneven construction, raise the front of the snow thrower by moving the skids down. This will help to prevent rocks and other debris from being picked up and thrown by the augers.

#### To adjust skids, proceed as follows:

1. Place a block (equal to height from ground desired) under scraper bar near but not under skid.
2. Loosen skid mounting nuts (A, Figure 32) and push the skid down (B) until it touches the ground. Retighten mounting nuts.
3. Set skid on other side at same height.

**NOTE:** Make sure that snow thrower is set at same height on both sides.

**WARNING:** Be certain to maintain proper ground clearance for your particular area to be cleared. Objects such as gravel, rocks, or other debris, if struck by the impeller, may be thrown with sufficient force to cause personal injury, property damage, or damage to the snow thrower.



Adjusting Skid Height

Figure 32

**BELT ADJUSTMENT**

**Traction Drive Belt**

The traction drive belt has constant spring pressure and does not require an adjustment. If the traction drive belt is slipping, replace the belt. See authorized dealer.

**Auger Drive Belt**

If your snowthrower will not discharge snow, check the control cable adjustment. If it is correct, then check the condition of the auger drive belt. If it is damaged or loose, replace it (see authorized dealer).

Auger Drive Belt Adjustment:

1. Disconnect spark plug wire.
2. Remove screw (A, Figure 33) from belt cover (B). Remove belt cover.
3. Loosen nut on idler drive pulley (A, Figure 34) and move idler drive pulley towards belt about 1/8 inch (3 mm).



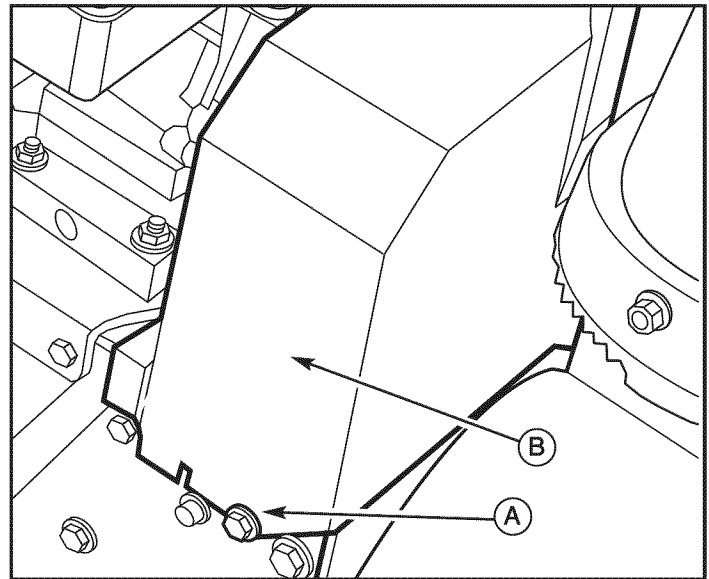
**WARNING: Do not over-tighten, as this may lift the lever and cause the auger drive to be engaged without depressing the auger control.**

4. Tighten nut.
5. With the aid of an assistant, engage the auger drive clutch. Check tension on belt which is opposite idler pulley (B, Figure 34). Belt should deflect about 1/2 inch (12.5 mm) with moderate pressure. You may have to move idler pulley more than once to obtain the correct tension.
6. Reinstall belt cover (B, Figure 33). Tighten screw (A).
7. Attach the spark plug wire.

**NOTE: Whenever belts are adjusted or replaced, the cables will need to be adjusted (see "Check and Adjust the Cables" section).**

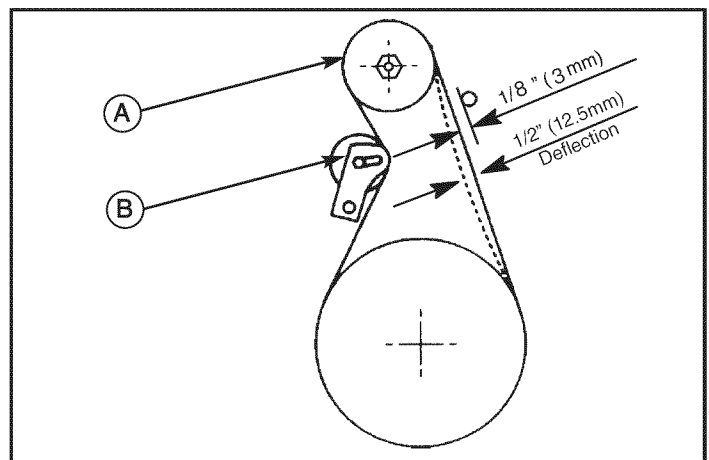
Check Auger Drive Belt:

1. Release the auger control lever. The auger must stop within 5 seconds.
2. If auger does not operate properly, stop engine and repeat "Auger Drive Belt Adjustment."



Adjusting Auger Drive Belt

**Figure 33**



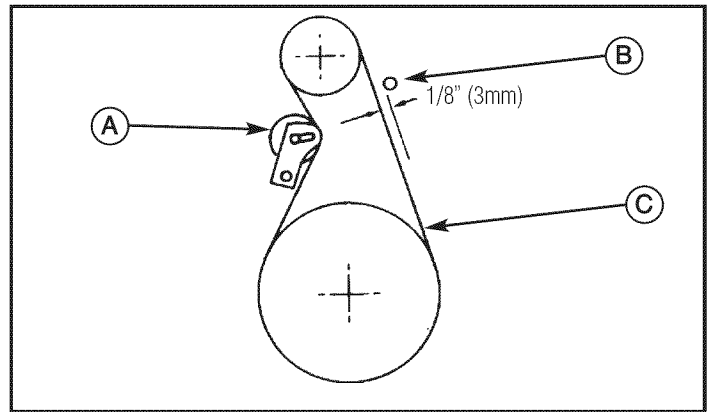
Check Tension on Auger Drive Belt

**Figure 34**

## MAINTENANCE

### BELT GUIDE ADJUSTMENT

1. Remove spark plug wire.
2. Have someone engage the auger drive. This will engage auger idler pulley (A, Figure 35).
3. Measure the distance between the belt guide (B) and belt (C). The distance should be about 1/8 inch (3 mm).
4. If adjustment is necessary, loosen belt guide mounting bolt. Move belt guide to the correct position. Tighten mounting bolt.
5. Install belt cover.
6. Connect spark plug wire.



Adjusting Belt Drive

Figure 35

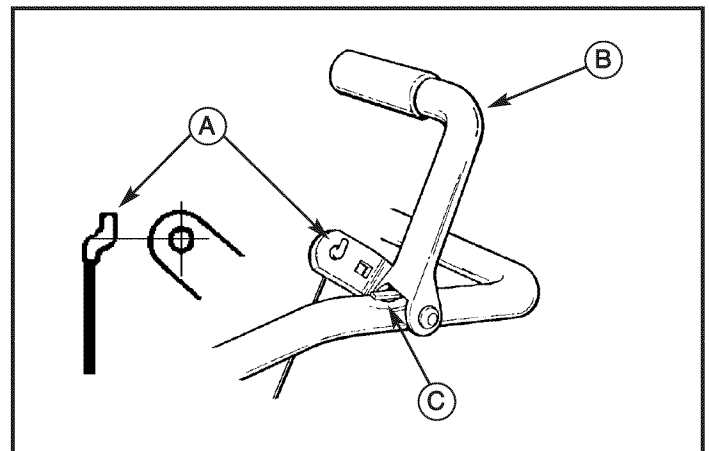
### CHECK AND ADJUST THE CABLES

The cables are adjusted at the factory and no adjustment should be necessary. If the cables have become stretched or are sagging adjustment will be necessary.

Whenever belts are adjusted or replaced, the cables will need to be adjusted.

To check for correct adjustment, unhook "Z" fitting (A, Figure 36) at clutch lever (B).

1. Move clutch lever (B) to the full forward position (just contacting plastic bumper). Holding cable tight, note position of fitting to hole in clutch lever.
2. The center of the "Z" fitting (A) should be between the center and top of the hole in the clutch lever (B).



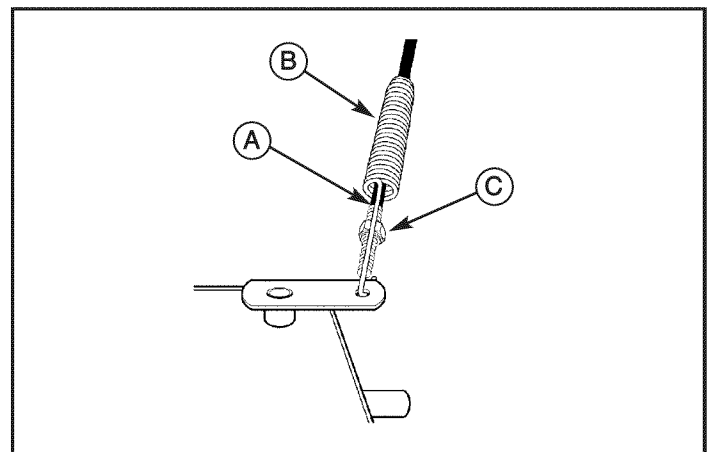
Check the Cables

Figure 36

### Auger Drive Cable

**WARNING: Drain the gasoline outdoors, away from fire or flame.**

1. Remove the gas from the gas tank. Stand the snow thrower up on the front end of the auger housing.
2. Push cable (A, Figure 37) through spring (B) to expose the threaded portion of the cable.
3. Hold square end of threaded portion with pliers and adjust locknut (C) in or out until correct adjustment is reached.
4. Pull cable back through spring and connect cable.



Adjusting Auger Drive Cable

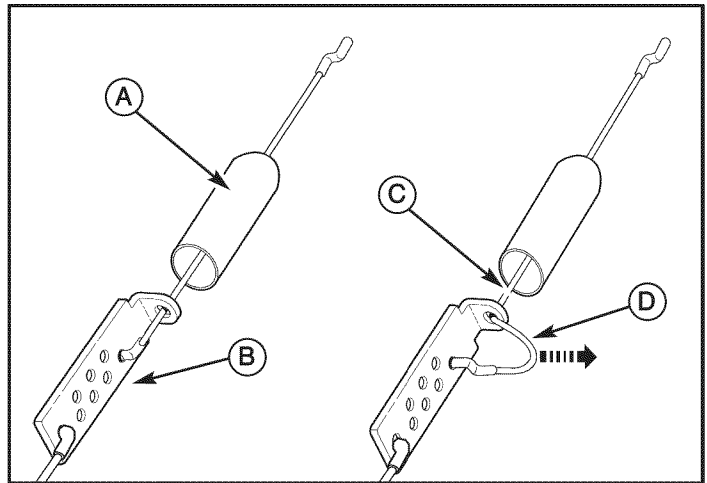
Figure 37

**Traction Drive Cable**

1. Remove the gas from the gas tank. Stand the snow thrower up on the front end of the auger housing.

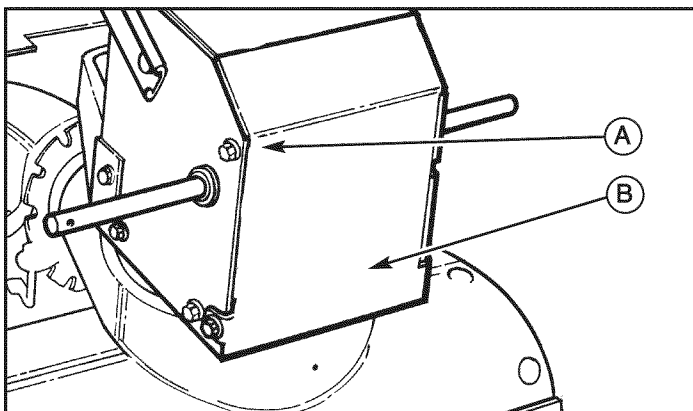
**⚠ WARNING: Drain the gasoline outdoors, away from fire or flame.**

2. Loosen the bolts (A, Figure 38) on each side of the bottom panel (B).
3. Remove the bottom panel.
4. Disconnect the "Z" fitting from the drive lever (see Figure 36).
5. Slide the cable boot (A, Figure 39) off the cable adjustment bracket (B).
6. Push the bottom of the traction drive cable (C) through the cable adjustment bracket until the "Z" hook (D) can be removed.
7. Remove the "Z" hook from the cable adjustment bracket. Move the "Z" hook down to the next adjustment hole.
8. Pull the traction drive cable up through the cable adjustment bracket.
9. Put the cable boot over the cable adjustment bracket.
10. Install the the "Z" hook to the traction drive lever (see Figure 36).
11. To check the adjustment, depress the drive lever and check the length of the drive spring (A, Figure 40). In correct adjustment, the length of the drive spring is a minimum 3 inches (76 mm) and a maximum 3-3/8 inches (85 mm).
12. Install the bottom panel (B, Figure 38).
13. Tighten the bolts (A) on each side of the bottom panel.



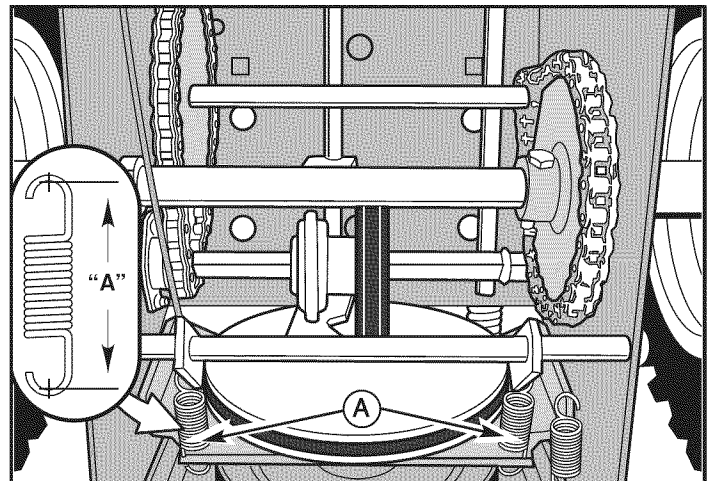
Traction Drive Cable

**Figure 39**



Adjusting Traction Drive Cable

**Figure 38**



Check Adjustment of Traction Drive Cable

**Figure 40**

## MAINTENANCE

### AUGER SHEAR PIN REPLACEMENT

The augers are secured to the auger shaft with special shear pins that are designed to break if an object becomes lodged in the auger housing. Use of a harder grade shear pin will reduce the protection provided by the shear pin.

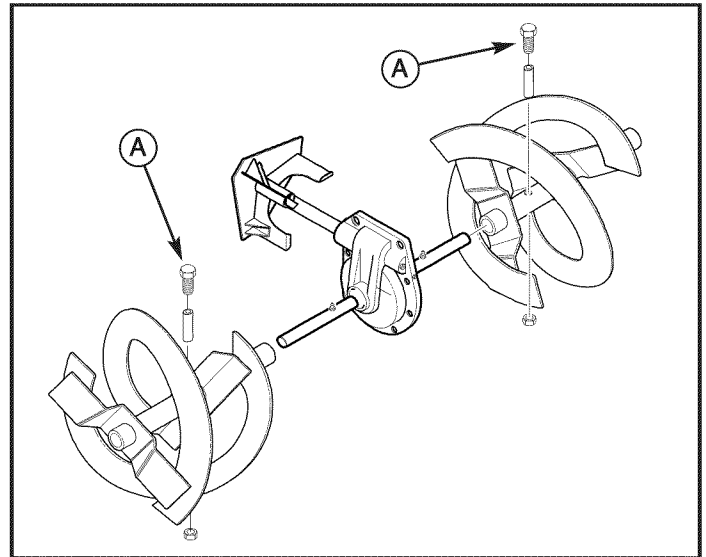
**WARNING:** Do not go near the discharge chute or auger when the engine is running. Do not run the engine if any cover or guard is removed.

Under most circumstances, if the auger strikes an object which could cause damage to the unit, the shear pin will break. This protects the gear box and other parts from damage.

The shear pins (A, Figure 41) are located on the auger shaft. Replace a broken shear pin as follows.

1. Tap out the broken shear pin with a pin punch.
2. Install a new shear pin and cotter pin. Bend the ends of the cotter pin down.

**IMPORTANT:** Do not replace shear pins with anything other than the correct grade replacement shear pin. Use of bolts, screws, or harder grade shear pins can result in equipment damage.



Replacing Broken Shear Pin

Figure 41

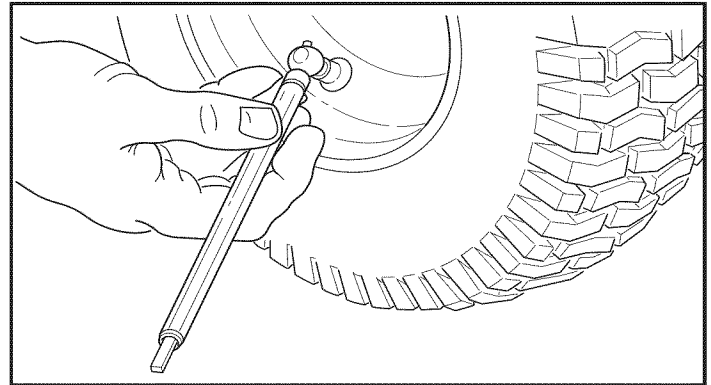
### CHECK THE TIRES

Check tires for damage. Check the air pressure in the tires with an accurate gauge (see Figure 42).

**CAUTION:** Avoid Injury! Explosive separation of tire and rim parts is possible when they are serviced incorrectly.

- Do not attempt to mount a tire without the proper equipment and experience to perform the job.
- Do not inflate the tires above the recommended pressure.
- Do not weld or heat a wheel and tire assembly. Heat can cause an increase in air pressure resulting in an explosion. Welding can structurally weaken or deform the wheel.
- Do not stand in front or over the tire assembly when inflating. Use appropriate tool that allows you to stand to one side.

**NOTICE:** Check side of tire for maximum tire pressure. DO NOT exceed maximum.



Checking Tire Air Pressure

Figure 42

## OFF SEASON STORAGE

**WARNING:** Never store the engine, with fuel in the tank, indoors or in a poor ventilated enclosure where fuel fumes could reach an open flame, spark or pilot light as on a furnace, water heater, clothes dryer, etc.

Handle gasoline carefully. It is highly flammable and careless use could result in serious fire damage to your person and/or property.

Drain fuel into approved containers outdoors, away from open flame.

If the snow thrower will be stored for thirty (30) days or more at the end of the snow season, the following steps are recommended to prepare your snowthrower for storage.

**NOTE:** Gasoline must be removed or treated to prevent gum deposits from forming in the tank, filter, hose, and carburetor during storage.

1. Remove gasoline, by running engine until tank is empty and engine stops. If you do not want to remove the gasoline, add fuel stabilizer to any gasoline left in the tank to minimize gum deposits and acids. If the tank is almost empty, mix stabilizer with fresh gasoline in a separate container and add some of the mixture to the tank. ALWAYS FOLLOW INSTRUCTIONS ON STABILIZER CONTAINER. THEN RUN ENGINE AT LEAST 10 MINUTES AFTER STABILIZER IS ADDED TO ALLOW MIXTURE TO REACH CARBURETOR. STORE SNOW THROWER IN SAFE PLACE.
2. You can help keep your engine (4-cycles only) in good operating condition by changing oil before storage.
3. Lubricate the piston/cylinder area. This can be done by first removing the spark plug and squirting clean engine oil into the spark plug hole. Then cover the spark plug hole with a rag to absorb oil spray. Next, rotate the engine by pulling the starter two or three times. Finally, reinstall spark plug and attach spark plug wire.
4. Thoroughly clean the snow thrower.
5. Lubricate all lubrication points (see "Lubrication" topics in the MAINTENANCE section).
6. Make sure all nuts, bolts, and screws are securely fastened. Inspect all visible moving parts for damage, breakage, and wear. Replace if necessary.
7. Touch up all rusted or chipped paint surfaces; sand lightly before painting.
8. Cover the bare metal parts of the snow thrower housing auger, and the impeller with rust preventative.
9. If possible, store your snow thrower indoors and cover it to give protection from dust and dirt.
10. On models with folding handles, loosen the knobs that secure the upper handle. Rotate the upper handle back.
11. If the machine must be stored outdoors, block up the snow thrower and ensure the entire machine is off the ground. Cover the snow thrower with a heavy tarpaulin.

## LUBRICATE HEX SHAFT AND CHAINS

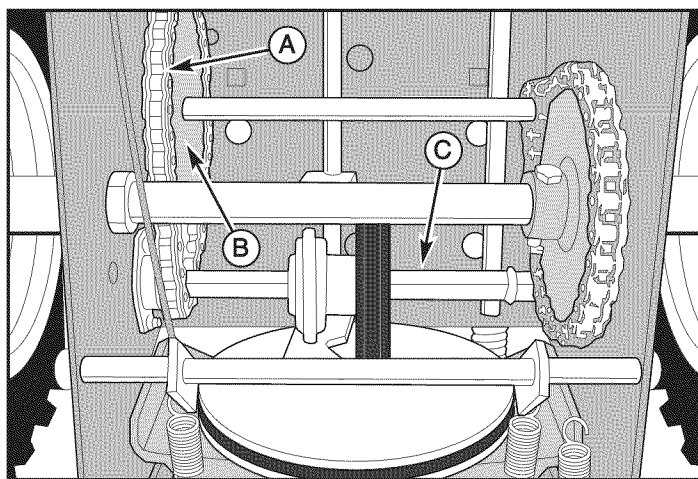
**CAUTION:** Do not allow grease or oil to contact the rubber friction wheel or the disc drive plate. If the disc drive plate or friction wheel come in contact with grease or oil damage to rubber friction wheel will result.

**NOTICE:** If grease or oil comes into contact with the disc drive plate or friction wheel, make sure to clean plate and wheel thoroughly with an alcohol base solvent.

1. Position speed select lever (A, Figure 12) in first forward gear.
2. Drain fuel to an approved container.
3. Stand the snow thrower up on the auger housing end.

**NOTE:** When the crankcase is filled with oil, do not leave the snow thrower standing up on the auger housing for an extended period of time.

4. Remove the bottom panel.
5. Lubricate the chains (A, Figure 43) with a chain type lubricant.
6. Wipe the hex shaft (B) and sprockets (C) with 5W30 motor oil, before storage and at the beginning of each season.
7. Install the bottom panel.



Lubricate Hex Shaft and Chains

Figure 43

## REMOVE FROM STORAGE

1. Put the upper handle in the operating position, tighten the knobs that secure the upper handle.
2. Fill the fuel tank with a fresh fuel.
3. Check the spark plug. Make sure the gap is correct. If the spark plug is worn or damaged, replace before using.
4. Make sure all fasteners are tight.
5. Make sure all guards, shields, and covers are in place.
6. Make sure all adjustments are correct.

## TROUBLESHOOTING

PROBLEM	LOOK FOR	REMEDY
<b>Auger does not stop within 5 seconds after right control lever is released.</b>	Free-Hand™ control is ACTIVE.	Release both auger control and traction/Free-Hand™ control levers to stop auger.
	Auger drive belt out of adjustment.	Adjust auger belt.
	Auger belt guide out of adjustment.	Adjust auger belt guide.
<b>Discharge chute or deflector does not work (electric).</b>	Electrical failure.	See authorized dealer.
<b>Discharge chute or deflector does not work (remote-manual).</b>	Discharge chute or deflector out of adjustment or needs lubrication.	Adjust and/or lubricate control linkage.
<b>Drive fails to move snowthrower at slow speeds.</b>	Traction control out of adjustment.	Readjust drive, or select speed lever setting one speed faster.
<b>Engine fails to start.</b>	Key is off.	Push key in to the ON position.
	Failure to prime a cold engine.	Press primer button twice and restart.
	Fuel shut-off valve is in CLOSED position.	Turn valve to OPEN position.
	Out of fuel.	Fill fuel tank.
	Choke OFF - cold engine.	Turn choke ON, set throttle to FAST.
	Engine flooded.	Turn choke to OFF; try starting.
	No spark.	Check gap. Gap spark plug, clean electrode, or replace plug as necessary.
	Water in fuel, or old fuel.	Drain tank. (Dispose of fuel at an authorized hazardous waste facility.) Fill with fresh fuel.
<b>Engine starts hard or runs poorly.</b>	Fuel mixture too rich.	Move choke to OFF position.
	Spark plug faulty, fouled, or gapped improperly.	Clean and gap spark plug, or replace.
	Fuel cap vent is blocked.	Clear vent.
<b>Excessive vibration.</b>	Loose parts or damaged impeller/auger.	Stop engine immediately. Tighten all hardware. If vibration continues, have the unit serviced by an authorized dealer.
<b>Snowthrower does not stop when traction control lever is released.</b>	Traction control out of adjustment.	Adjust traction control linkage.
<b>Snowthrower veers to one side.</b>	Tire pressure not equal.	Check tire pressure.
	One wheel is set in free-wheeling mode. (Traction lock pin is in the OUTER hole.)	Make sure the left traction lock pin is in the INNER holes (to engage the traction drive).



PROBLEM	LOOK FOR	REMEDY
<b>Scraper bar does not clean hard surface.</b>	Skid shoes improperly adjusted.	Raise or lower skid shoes.
<b>Unit fails to propel itself.</b>	Drive belt loose or damaged.	Replace drive belt. See authorized dealer.
	Incorrect adjustment of traction drive cable.	Adjust traction control cable. Refer to "Check and Adjust the Cables" in the MAINTENANCE section of this manual.
	Worn or damaged friction disc.	Replace friction disc. See authorized dealer.
<b>Unit fails to discharge snow.</b>	Auger drive belt loose or damaged.	Replace or adjust auger drive belt. Refer to "Belt Adjustment" in the MAINTENANCE section of this manual, or see authorized dealer.
	Auger control cable not adjusted correctly.	Adjust auger control cable. Refer to "Check and Adjust the Cables" in the MAINTENANCE section of this manual.
	Broken shear pin.	Replace shear pin. Refer to "Auger Shear Pin Replacement" in the MAINTENANCE section of this manual.
	Discharge chute clogged.	Stop engine immediately. Always use the clean-out tool to clear a clogged discharge chute, not your hands. Clean discharge chute and inside of auger housing. Refer to WARNINGS in OPERATOR SAFETY section.
	Foreign object lodged in auger.	Stop engine immediately. Always use the clean-out tool to clear a clogged chute, not your hands. Remove object from auger. Refer to WARNINGS in OPERATOR SAFETY section.

## **WARRANTIES**

---

### **Craftsman Limited Warranty**

**General:** Craftsman products are warranted to be free from defects in materials or workmanship for a specific time period as set-out below (the "Warranty Period"). Warranties extend to the original purchaser of a Craftsman product only. Purchases made through an online auction or through any website other than [www.sears.ca](http://www.sears.ca) are excluded. The relevant Warranty Period commences on the original date of purchase. Within this period, Sears Canada, Inc. will, at its sole option, repair or replace any products or components which fail in normal use. Such repairs or replacement will be made at no charge to the customer for parts or labor, provided that the customer shall be responsible for any transportation cost.

**Exclusions:** This warranty does not cover failures due to normal wear, abuse, misuse, neglect (including but not limited to the use of stale fuel, dirt, abrasives, moisture, rust, corrosion, or any adverse reaction due to improper storage or use habits), improper maintenance or failure to follow maintenance guidelines and/or instructions, failure to operate the product in accordance with the owner's manual or any additional instructions or information provided at the time of purchase or in subsequent communications with the original purchaser, accident or unauthorized alterations or repairs made or attempted by others. Also excluded from warranty coverage – except as provided below - are the following: maintenance, adjustments, components subject to wear including but not limited to: cosmetic components, belts, blades, blade adapters, bulbs, tires, filters, guide bars, lubricants, seats, grips, recoil assemblies, saw chains and bars, trimmer lines and spools, spark plugs, starter ropers and tines, and discoloration resulting from ultraviolet light. Any product missing the model and/or serial number identification label will be disqualified from coverage under this warranty.

**Repairs:** Repairs have a 90 day warranty. If the defective product is still within the Warranty Period, then the new warranty is 90 days from the date of repair or to the end of the original Warranty Period, whichever period is longer.

**Disclaimers:** THE WARRANTIES AND REMEDIES CONTAINED HEREIN ARE EXCLUSIVE AND IN LIEU OF ALL OTHER WARRANTIES, WHETHER ORAL OR WRITTEN (OTHER THAN AS STATED HEREIN), AND WHETHER EXPRESS, IMPLIED OR STATUTORY, INCLUDING BUT NOT LIMITED TO ANY. THIS WARRANTY GIVES YOU SPECIFIC LEGAL RIGHTS, WHICH MAY VARY FROM PROVINCE TO PROVINCE.

IN NO EVENT SHALL SEARS BE LIABLE FOR ANY INCIDENTAL, SPECIAL, INDIRECT OR CONSEQUENTIAL DAMAGES, WHETHER RESULTING FROM THE USE, MISUSE OR INABILITY TO USE THE PRODUCT OR FROM DEFECTS IN THE PRODUCT. THE EXCLUSIONS IN THIS PARAGRAPH SHALL NOT APPLY IN JURISDICTIONS WHERE APPLICABLE LAW DOES NOT ALLOW FOR THE EXCLUSION OF INCIDENTAL OR CONSEQUENTIAL DAMAGES. IN SUCH JURISDICTIONS, THIS PARAGRAPH SHALL NOT APPLY, BUT THE REMAINING PROVISIONS OF THIS DOCUMENT SHALL REMAIN VALID.

Sears retains the exclusive right to repair or replace the product or offer a full refund of the purchase price at its sole discretion. SUCH REMEDY SHALL BE YOUR SOLE AND EXCLUSIVE REMEDY FOR ANY BREACH OF WARRANTY.

**Customer Responsibilities:** In addition to complying with all suggested maintenance guidelines and instructions, customers' obligations shall include but shall not be limited to: operating the product in accordance with the owner's manual or any additional instructions or information provided at the time of purchase or in subsequent communications to the purchaser from time to time, exhibit reasonable care in the use, operation, maintenance, general upkeep and storage of the product. Failure to comply with these requirements will void any applicable warranty.

**List of Applicable Warranty Periods:** The following list contains the applicable Warranty Period for your Craftsman product and is based on a combination of the type of product or component and the intended and actual use of the product or component:

1. **90 days:** Craftsman products intended for use or actually used for commercial, institutional, professional or income-producing purposes.
2. **2 years:** Craftsman riding lawn mowers, yard and garden tractors, walk behind mowers, tillers, brush cutters, snow blowers, handheld blowers, backpack blowers, hedge trimmers and electrical products for noncommercial, nonprofessional, non-institutional, or non-income-producing use, except for those components which are part of engine systems manufactured by third party engine manufacturers for which the purchase has received an separate warranty with product information supplied at the time of purchase.

3. **1 year:** Craftsman power cutters, stump grinders, pole pruners, gas chain saws, electric chain saws, trimmer attachments, baggers and pole saws for noncommercial, nonprofessional, non-institutional, or non-income-producing use.
4. **90 days:** All defective batteries, which will be replaced during this 90-day Warranty Period.
5. **60 days:** Additional Warranty Period of 60 days will apply to adjustments and worn products or components BUT DOES NOT INCLUDE WEAR OR ADJUSTMENTS for products used for commercial, institutional, professional or income-producing purposes. Wear items include but are not limited to: belts, blades, tires, spark plugs, air filters, chains, shear bolts, skid plates, scraper bars, drift cutters, ropes, tines, collection bags and pulleys.

As the Warranty Period runs from the date of purchase and NOT from the date that a product is delivered, opened, assembled or first used, please ensure during this time period that your product or component has been assembled and tested for correction operation regardless of when you intend to actually use it. Claims made after the Warranty Period has expired will not be honored.

**Proof of Purchase/Documentation:** Warranty coverage is conditioned upon the original purchaser furnishing Sears Canada or its authorized third party service provider if applicable, with the original sales receipt or other adequate written proof of the original purchase date and identification of the product. In the event that the original purchaser is unable to provide a company of the original sales receipt, Sears Canada Inc. reserves the right to determine in its sole discretion what other written proof of the original purchase date and identification of the product is acceptable.

Revision: 03/13/2009

### **Maintenance Agreement**

The Craftsman Warranty plus a Maintenance Agreement, provide maximum value for Sears products. Contact your nearest Sears store for details.

## California, U.S. EPA, and Briggs & Stratton Corporation Emissions Control Warranty Statement Your Warranty Rights And Obligations

The California Air Resources Board, U.S. EPA, and Briggs & Stratton (B&S) are pleased to explain the emissions control system warranty on your Model Year 2008 and later engine/equipment. In California, new small off-road engines must be designed, built, and equipped to meet the State's stringent anti-smog standards. B&S must warrant the emissions control system on your engine/equipment for the periods of time listed below provided there has been no abuse, neglect, or improper maintenance of your small off-road engine.

Your emissions control system may include parts such as the carburetor or fuel injection system, fuel tank, ignition system, and catalytic converter. Also included may be hoses, belts, connectors, sensors, and other emissions-related assemblies.

Where a warrantable condition exists, B&S will repair your engine/equipment at no cost to you including diagnosis, parts, and labor.

### Manufacturer's Warranty Coverage:

Small off-road engines are warranted for two years. If any emissions-related part on your engine/equipment is defective, the part will be repaired or replaced by B&S.

### Owner's Warranty Responsibilities:

- As the small engine/equipment owner, you are responsible for the performance of the required maintenance listed in your owner's manual. B&S recommends that you retain all receipts covering maintenance on your engine/equipment, but B&S cannot deny warranty solely for the lack of receipts or your failure to ensure the performance of all scheduled maintenance.
- As the engine/equipment owner, you should however be aware that B&S may deny you warranty coverage if your engine/equipment or a part has failed due to abuse, neglect, improper maintenance, or unapproved modifications.
- You are responsible for presenting your engine/equipment to a B&S distribution center, servicing dealer, or other equivalent entity, as applicable, as soon as a problem exists. The warranty repairs should be completed in a reasonable amount of time, not to exceed 30 days. If you have any questions regarding your warranty rights and responsibilities, you should contact B&S at (414) 259-5262.

## Briggs & Stratton Emissions Control Warranty Provisions

The following are specific provisions relative to your Emissions Control Warranty Coverage. It is in addition to the B&S engine warranty for non-regulated engines found in the Operator's Manual.

### 1. Warranted Emissions Parts

Coverage under this warranty extends only to the parts listed below (the emissions control systems parts) to the extent these parts were present on the engine purchased.

- a. Fuel Metering System
  - Cold start enrichment system (soft choke)
  - Carburetor and internal parts
  - Fuel pump
  - Fuel line, fuel line fittings, clamps
  - Fuel tank, cap and tether
  - Carbon canister
- b. Air Induction System
  - Air cleaner
  - Intake manifold
  - Purge and vent line
- c. Ignition System
  - Spark plug(s)
  - Magneto ignition system
- d. Catalyst System
  - Catalytic converter
  - Exhaust manifold
  - Air injection system or pulse valve
- e. Miscellaneous Items Used in Above Systems
  - Vacuum, temperature, position, time sensitive valves and switches
  - Connectors and assemblies

### 2. Length of Coverage

For a period of two years from date of original purchase, B&S warrants to the original purchaser and each subsequent purchaser that the engine is designed, built, and equipped so as to conform with all applicable regulations adopted by the Air Resources Board; that it is free from defects in material and workmanship that could cause the failure of a warranted part; and that it is identical in all material respects to the engine described in the manufacturer's application for certification. The warranty period begins on the date the engine is originally purchased.

The warranty on emissions-related parts is as follows:

- Any warranted part that is not scheduled for replacement as required maintenance in the owner's manual supplied, is warranted for the warranty period stated above. If any such part fails during the period of warranty coverage, the part will be repaired or replaced by B&S at no charge to the owner. Any such part repaired or replaced under the warranty will be warranted for the remaining warranty period.
- Any warranted part that is scheduled only for regular inspection in the owner's manual supplied, is warranted for the warranty period stated above. Any such part repaired or replaced under warranty will be warranted for the remaining warranty period.
- Any warranted part that is scheduled for replacement as required maintenance in the owner's manual supplied, is warranted for the period of time prior to the first scheduled replacement point for that part. If the part fails prior to the first scheduled replacement, the part will be repaired or replaced by B&S at no charge to the owner. Any such part repaired or replaced under warranty will be warranted for the remainder of the period prior to the first scheduled replacement point for the part.
- Add on or modified parts that are not exempted by the Air Resources Board may not be used. The use of any non exempted add on or modified parts by the owner will be grounds for disallowing a warranty claim. The manufacturer will not be liable to warrant failures of warranted parts caused by the use of a non exempted add on or modified part.

### 3. Consequential Coverage

Coverage shall extend to the failure of any engine components caused by the failure of any warranted emissions parts.

### 4. Claims and Coverage Exclusions

Warranty claims shall be filed according to the provisions of the B&S engine warranty policy. Warranty coverage does not apply to failures of emissions parts that are not original equipment B&S parts or to parts that fail due to abuse, neglect, or improper maintenance as set forth in the B&S engine warranty policy. B&S is not liable for warranty coverage of failures of emissions parts caused by the use of add-on or modified parts.

## Look For Relevant Emissions Durability Period and Air Index Information On Your Engine Emissions Label

Engines that are certified to meet the California Air Resources Board (CARB) Emissions Standard must display information regarding the Emissions Durability Period and the Air Index. Briggs & Stratton makes this information available to the consumer on our emissions labels. The engine emissions label will indicate certification information.

The **Emissions Durability Period** describes the number of hours of actual running time for which the engine is certified to be emissions compliant, assuming proper maintenance in accordance with the Operating & Maintenance Instructions. The following categories are used:

#### Moderate:

Engine is certified to be emissions compliant for 125 hours of actual engine running time.

#### Intermediate:

Engine is certified to be emissions compliant for 250 hours of actual engine running time.

#### Extended:

Engine is certified to be emissions compliant for 500 hours of actual engine running time. For example, a typical walk-behind lawn mower is used 20 to 25 hours per year.

Therefore, the **Emissions Durability Period** of an engine with an **intermediate** rating would equate to 10 to 12 years.

Briggs & Stratton engines are certified to meet the United States Environmental Protection Agency (USEPA) Phase 2 emissions standards. For Phase 2 certified engines, the Emissions Compliance Period referred to on the Emissions Compliance label indicates the number of operating hours for which the engine has been shown to meet Federal emissions requirements.

For engines less than 225 cc displacement.

Category C = 125 hours , Category B = 250 hours , Category A = 500 hours

For engines of 225 cc or more displacement.

Category C = 250 hours , Category B = 500 hours , Category A = 1000 hours

**ENGINE:**

<b>Brand</b>	Briggs & Stratton
<b>Model Series</b>	Snow Series
<b>Gross Torque*</b>	13.50 T.P. @ 3060 rpm
<b>Type</b>	4-Cycle - OHV
<b>Displacement</b>	18.6 cu in. (305 cc)
<b>Starting System</b>	110V Electric, Recoil
<b>Alternator</b>	60W AC
<b>Spark Plug Gap</b>	0.030 in. (0,76 mm)
<b>Spark Plug</b>	481055
<b>Long Life Platinum Spark Plug</b>	5066
<b>Oil Capacity</b>	28 oz (0,83 liters)
<b>Hydraulic Fluid</b>	Mineral 5W30
<b>Fuel Tank Volume</b>	3.0 qts (2,8 liters)
<b>Ignition System</b>	This spark ignition system complies with Canadian standard ICES-002.

**AUGER/IMPELLER:**

<b>Clearing Width</b>	27 in. (68,6 cm)
<b>Intake Height</b>	21 in. (53,3 cm)
<b>Auger/Impeller Diameter</b>	12 in. (30,5 cm)
<b>Number of Impeller Blades</b>	3

**CHUTE:**

<b>Chute Deflector</b>	Manual
<b>Chute Rotation</b>	Left Side Crank - 190° (3.5 Turn)

**DRIVE SYSTEM:**

<b>Drive Type</b>	Friction Disc - Traction Lock Pin
<b>Drive Speeds</b>	6 Forward Speeds, 2 Reverse
<b>Tire Size</b>	16 x 4.8 in. (41 x 12,2 cm)
<b>Tire Inflation</b>	14 psi (0,96 bar)

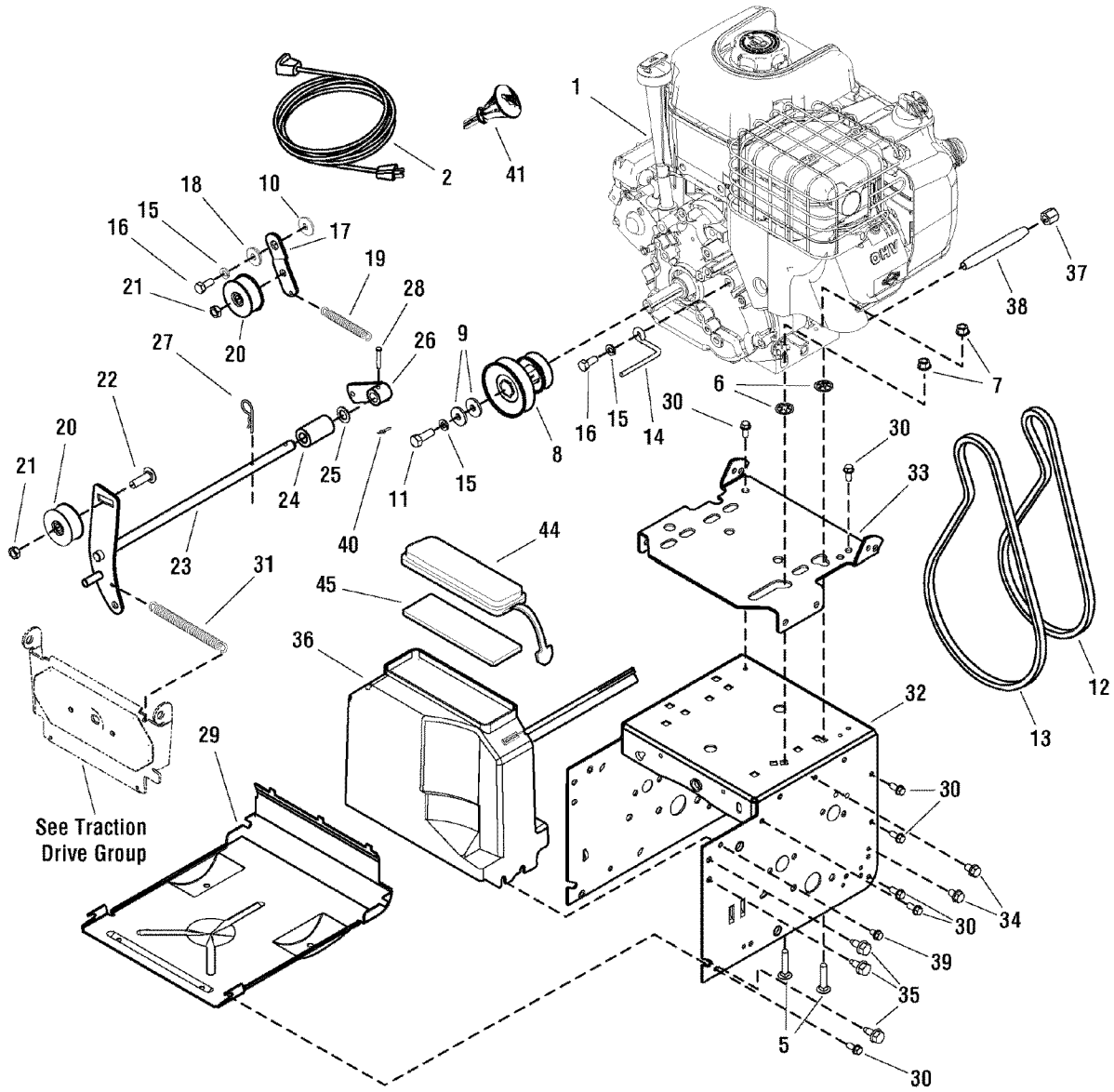
**Engine Power Rating Information**

\*The gross power rating for individual gas engine models is labeled in accordance with SAE (Society of Automotive Engineers) code J1940 (Small Engine Power & Torque Rating Procedure), and rating performance has been obtained and corrected in accordance with SAE J1995 (Revision 2002-05). Torque values are derived at 3060 RPM; horsepower values are derived at 3600 RPM. Actual gross engine power will be lower and is affected by, among other things, ambient operating conditions and engine-to-engine variability. Given both the wide array of products on which engines are placed and the variety of environmental issues applicable to operating the equipment, the gas engine will not develop the rated gross power when used in a given piece of power equipment (actual "on-site" or net power). This difference is due to a variety of factors including, but not limited to, accessories (air cleaner, exhaust, charging, cooling, carburetor, fuel pump, etc.), application limitations, ambient operating conditions (temperature, humidity, altitude), and engine-to-engine variability. Due to manufacturing and capacity limitations, Briggs & Stratton may substitute an engine of higher rated power for this Series engine.



# **Repair Parts**

NOTE: Unless noted otherwise,  
use the standard hardware torque  
specification chart.





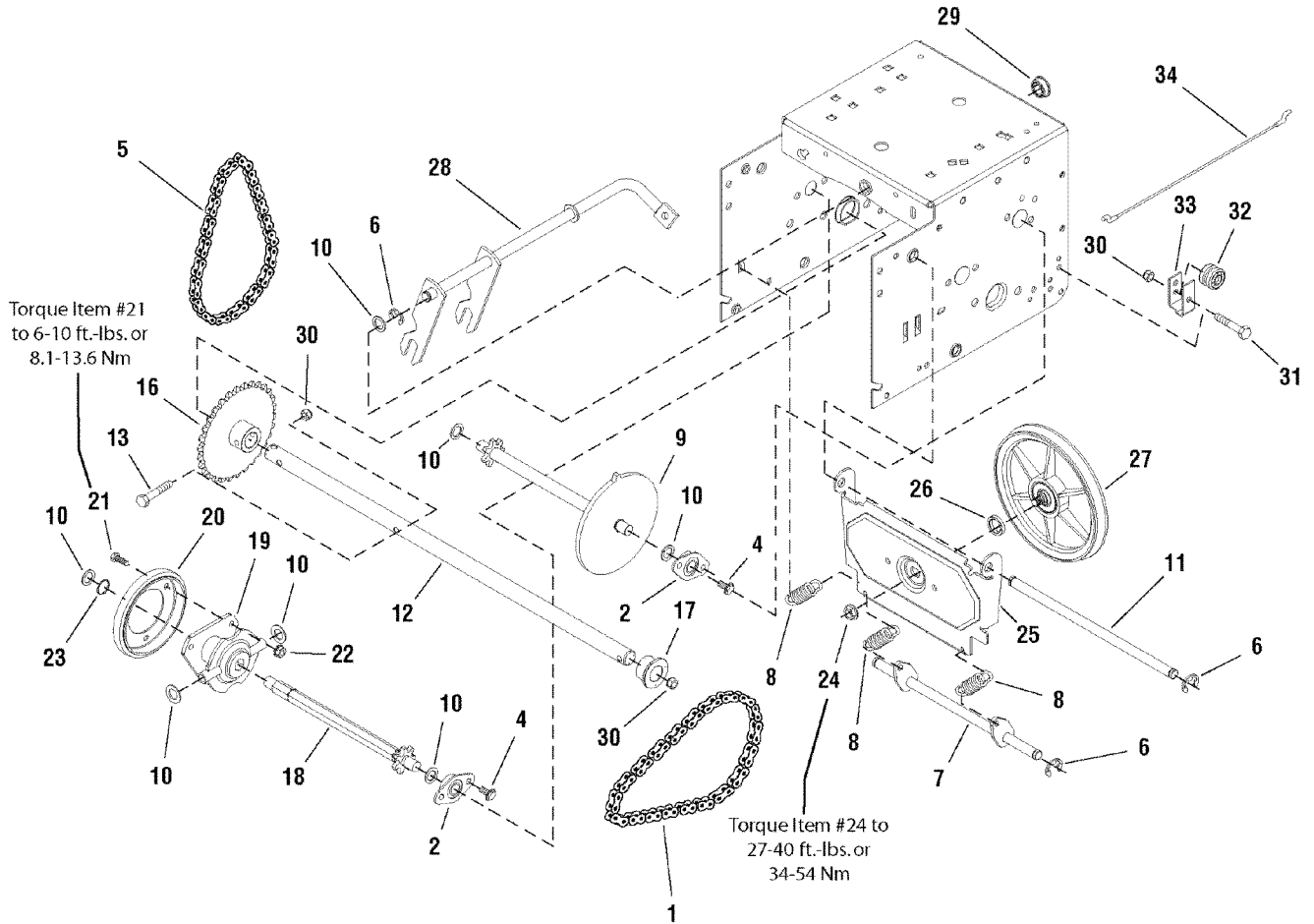
**Engine & Frame****Craftsman 27" Snowthrower C950-52943-0**

<b>REF NO</b>	<b>PART NO.</b>	<b>QTY.</b>	<b>DESCRIPTION</b>
1	20M1140141E1	1	ENGINE
2	6219MA	1	CORD, STARTER
5	002X97MA	4	BOLT, Carriage, 5/16-18 x 1-1/2
6	028X76MA	4	NUT, Speed, 1/4
7	1960686SM	4	NUT-HEX FLANGE.312-18 ESNA
8	1501109MA	1	PULLEY, Engine
9	1922755SM	2	WASHER, Flat, 3/8
10	1916965SM	1	WASHER, Locking, 3/8
11	1960428SM	1	CAPSCREW, Hex-Head, 3/8-24 x 1-1/4
12	1733324SM	1	V-BELT, Drive, 3L
13	585416MA	1	V-Belt, Auger, 4L
14	1733014SM	1	GUIDE, Belt
15	1917356SM	1	WASHER, Locking, 5/16
16	1921515SM	1	BOLT, Hex-Head, 5/16-24 x 3/4
17	1501112YZMA	1	ASSEMBLY, Idler Bracket
18	1501065MA	1	BUSHING, Idler Bracket
19	53704MA	1	SPRING, Extension
20	1502120MA	1	IDLER, Plastic, Ball Bearing
21	1960251SM	1	NUT, Hex-Jam, 3/8-16
22	585781MA	1	BOLT, Carriage, 3/8-16 x 1-1/4
23	1501628YZMA	1	IDLER, Auger Assembly
24	1501200MA	1	SPACER, Auger Idler
25	1960027SM	1	WASHER, Flat, 1/2
26	1733451SM	1	ASSEMBLY, Spring Attachment
27	711682MA	1	PIN, Hair
28	1736381YP	1	PIN, Clevis
29	1740906ASM	1	PANEL, Bottom
30	1927429SM	4	SCREW, 1/4-20 x 5/8
31	165X159MA	1	SPRING, Extension
32	1740571BNYP	1	FRAME, Steerable
33	1733583BNYP	1	ENGINE MOUNT
34	1924856SM	4	SCREW, 3/8-18 x 1/2
35	1664847SM	6	SCREW, 3/8-18 x 3/4
36	1741069MA	1	COVER, Belt Includes Ref. 44
37	695757	1	CAP, Pipe
38	696683	1	PIPE, Oil Drain
39	26X306MA	2	SCREW, Hex-Washer, 1/4 x 3/4, Self-Tapping
40	7023590SM	1	PIN, Cotter, 1/4, Self-Locking
41	794696	1	KEY, Ignition
44	760539MA	1	LID, Toolbox Included with Ref. 36
45	761187MA	1	PAD, Foam

**Footnotes**

# Traction Drive

NOTE: Unless noted otherwise, use the standard hardware torque specification chart.



**Traction Drive****Craftsman 27" Snowthrower C950-52943-0**

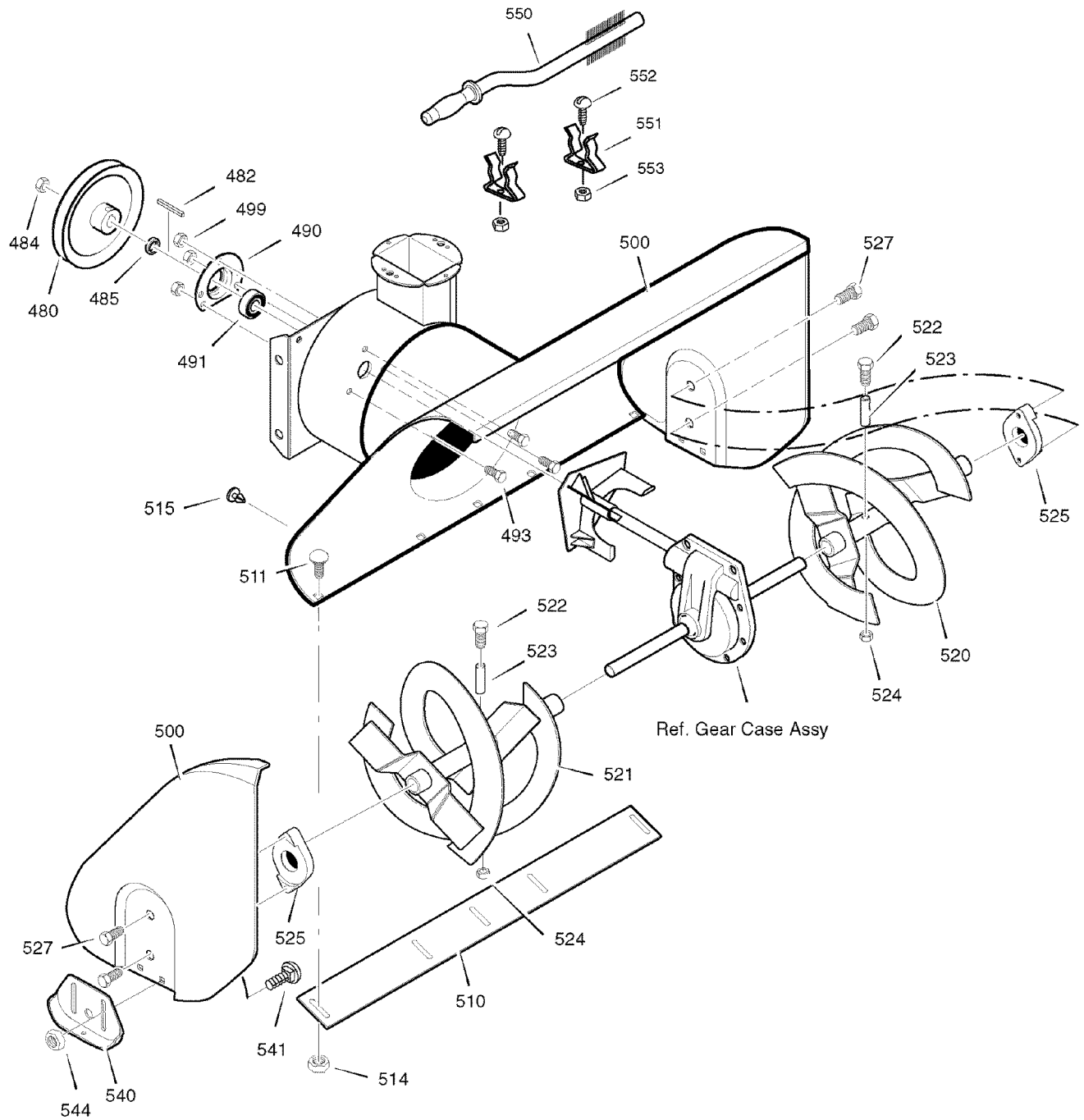
<b>REF NO</b>	<b>PART NO.</b>	<b>QTY.</b>	<b>DESCRIPTION</b>
1	579851MA	1	CHAIN, Roller
2	334163MA	4	RETAINER & BUSHING ASSEMBLY
4	1924856SM	8	SCREW, Hex Washer Head Taptite, 5/16-18 x 1/2
5	579868MA	1	CHAIN, Roller
6	11X30MA	5	RETAINER, Ring 7/16
7	1502105YZMA	1	SPRING LINK ASSEMBLY
8	1736469YP	3	SPRING, Extension
9	1501090MA	1	SPROCKET, Set
10	1960027SM	7	WASHER, 1/2
11	1501092YZMA	1	AXLE, Swing Plate
12	1501563MA	1	AXLE, Bushing
13	01X193MA	1	BOLT, Hex 1/4-20 x 1-3/4 G8
16	1501089MA	1	SPROCKET, Axle
17	1501114MA	2	BEARING, Axle D-Hole
18	1501100MA	1	HEX SHAFT & SPROCKET ASSEMBLY
19	337029MA	1	HUB, Friction Wheel & Bearing
20	1501435MA	1	WHEEL, Friction
21	1921959SM	3	CAPSCREW, Hex Head 1/4-20 x 5/8 G5
22	1928372SM	3	NUT, Hex KEPS 1/4-20
23	1733326SM	1	RING, Retaining Extension
24	15X114MA	1	NUT, 3/8-24 Flange Lock
25	1501057YZMA	1	PLATE, Swinging
26	1501158MA	1	SPACER, Friction Pulley
27	1501115MA	1	FRICTION PULLEY ASSEMBLY
28	1501110YZMA	1	SPEED SELECT ASSEMBLY
29	579944MA	1	BEARING, Flange
30	1920397SM	2	NUT, Hex Lock ESNA Light 1/4-20
31	1922837SM	1	CAPSCREW, Hex Head, 1/4-20 x 1-1/2 G5
32	579860MA	1	SPOOL CABLE, Auger Control
33	1501059YZMA	1	BRACKET, Cable Spool
34	1501122MA	1	CABLE, Front Drive Lower All

**Footnotes**

# Auger Housing

Craftsman 27" Snowthrower C950-52943-0

NOTE: Unless noted otherwise, use the standard hardware torque specification chart.



**Auger Housing**

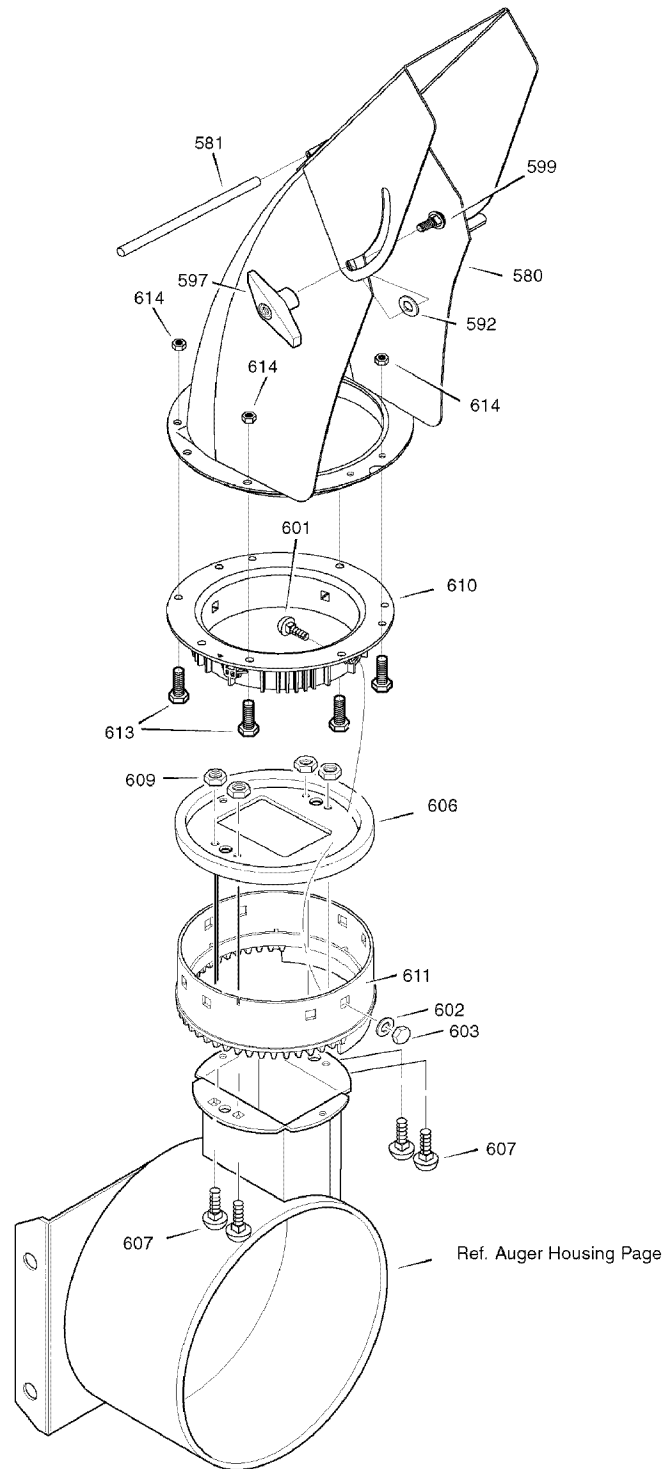
Craftsman 27" Snowthrower C950-52943-0

REF NO	PART NO.	QTY.	DESCRIPTION
480	583146MA	1	PULLEY, 4L 8.40 OD.
482	2001022MA	1	KEY, SQUARE 3/16 X 3/4
484	15X112MA	3	NUT, .50-20 HEXWDFLLK
485	1501158MA	1	SPACER, FRICTION PULLEY
490	582957YZMA	1	RETAINER, BALL BEARING
491	1705897SM	1	BEARING, BALL
493	001X45MA	3	BOLT, HEX 5/16-18 X .62
499	710026MA	3	NUT, 5/16-18 HEXWDFLLK
500	1737905BNYP	1	HOUSING, ASSEMBLY
510	1740949AYP	1	BLADE, SCRAPER
511	7090799SM	5	BOLT, 1/4-18 X .75
514	710026MA	5	NUT, 5/16- 18
515	760040MA	2	PLUG, PANEL
520	1738044AYP	1	AUGER, ASSEMBLY, LH
521	1738043AYP	1	AUGER, ASSEMBLY, RH
522	9524MA	2	SCREW, 1/4-20 X 1.75
523	3943MA	2	SPACER, SLEEVE
524	73826MA	2	NUT, 1/4-20
525	53757MA	2	BEARING, FLANGE
527	25X021MA	4	SCREW, 5/16-18 x 0.75
540	1737986AYP	2	SKID, HEIGHT ADJUST
541	340720MA	2	BOLT, 5/16-18 X .75
544	710026MA	4	NUT, 5/16- 18
550	1736094YP	1	BRUSH, CLEANOUT
551	1736620YP	2	CLAMP, SPRING
552	1960569SM	2	SCREW
553	15X146MA	2	NUT
--	1501216MA	1	KIT, SHEAR BOLT
--	680230ZMA	1	WRENCH

**Footnotes**

# Discharge Chute

NOTE: Unless noted otherwise, use the standard hardware torque specification chart.



**Discharge Chute**

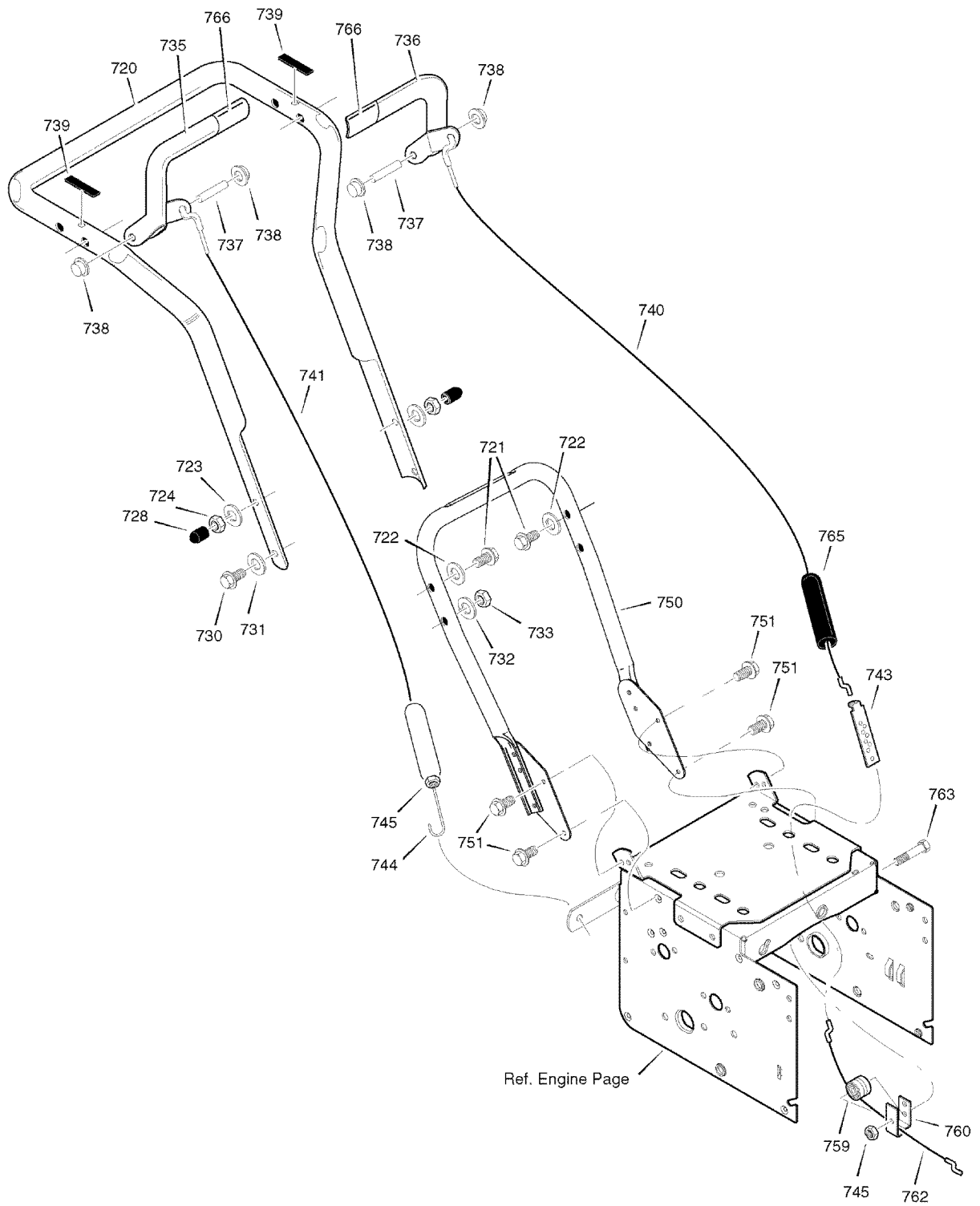
Craftsman 27" Snowthrower C950-52943-0

REF NO	PART NO.	QTY.	DESCRIPTION
580	1736380HYP	1	CHUTE ASSEMBLY
581	305216MA	1	PIN
592	2860210SM	1	WASHER, PLASTIC
597	1501260MA	1	KNOB, T 3.00
599	002X97MA	1	BOLT, Carriage, 5/16-18 x 1-1/2
601	2X100MA	4	CARRIAGE BOLT, 5/16-18 x 1.00
602	71071MA	4	WASHER
603	71038MA	4	NUT, Hex, Nylock, 5/16-18
606	1501932YZMA	1	CHUTE COLLAR
607	02X101MA	4	BOLT, CARRIAGE 1/4-20 X 0.75
609	15X145MA	4	NUT, 1/4-20 HEX NYLOCK
610	1741917YP	1	RETAINER RING INNER
611	1501282MA	1	RETAINER RING OUTER
613	7091530SM	4	BOLT, Carriage, Hex Flange Head, 1/4-20 x 3/4
614	5025391SM	4	NUT, Hex, Nylock Flange, 1/4-20

**Footnotes**

# Handle Assembly

NOTE: Unless noted otherwise, use the standard hardware torque specification chart.





**Handle Assembly**

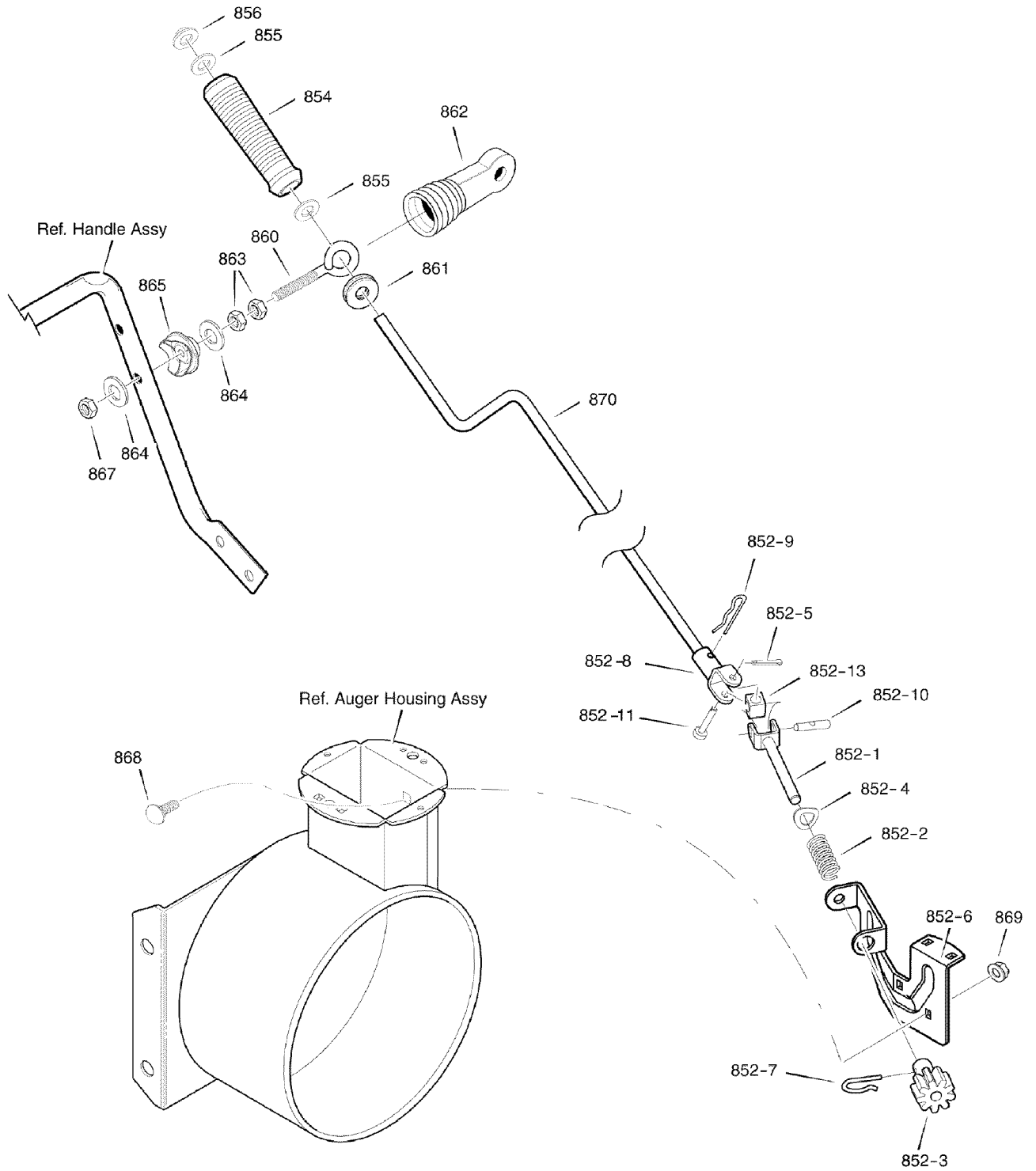
Craftsman 27" Snowthrower C950-52943-0

REF NO	PART NO.	QTY.	DESCRIPTION
720	1741120AYP	1	HANDLE, UPPER
721	7288MA	1	SCREW, 3/8- 16 X 3
722	71072MA	2	WASHER, FLAT
723	71062MA	2	WASHER
724	71044MA	2	NUT, 3/8- 16
728	7289MA	2	STOP, PLASTIC
730	71007MA	1	SCREW, 3/8- 16 X 2
731	71072MA	1	WASHER, FLAT
732	71062MA	1	WASHER
733	71044MA	1	NUT, 3/8- 16
735	5146E701MA	1	HANDLE, RIGHT
736	5142E701MA	1	HANDLE, LEFT
737	760074MA	2	PIN, PIVOT CLUTCH
738	3535MA	2	NUT, PUSH ON CAP
739	4049MA	2	BUMPER, RECTANGLE
740	1502113MA	1	CABLE, DRIVE
741	761872MA	1	CABLE, AUGER CLUTCH
743	313441MA	1	BRACKET, CABLE ADJUSTER
744	1673MA	1	SPRING, AUGER CLUTCH
745	15X145MA	1	NUT, 1/4- 20
750	1740580AYP	1	HANDLE, LOWER
751	25X021MA	4	SCREW, TAP 5/16-18 X .75
759	579860MA	1	SPOOL-CABLE, AUGRT CLUTCH
760	1501059YZMA	1	BRACKET, CABLE SPOOL YZ
762	1501122MA	1	CABLE, LOWER DRIVE 12"
763	001798MA	2	BOLT, HEX 1/4-20 X 1.5
765	308146MA	1	BOOT, CLUTCH SPRING
766	333928MA	2	GRIP

**Footnotes**

# Chute Rod

NOTE: Unless noted otherwise, use the standard hardware torque specification chart.



**Chute Rod**

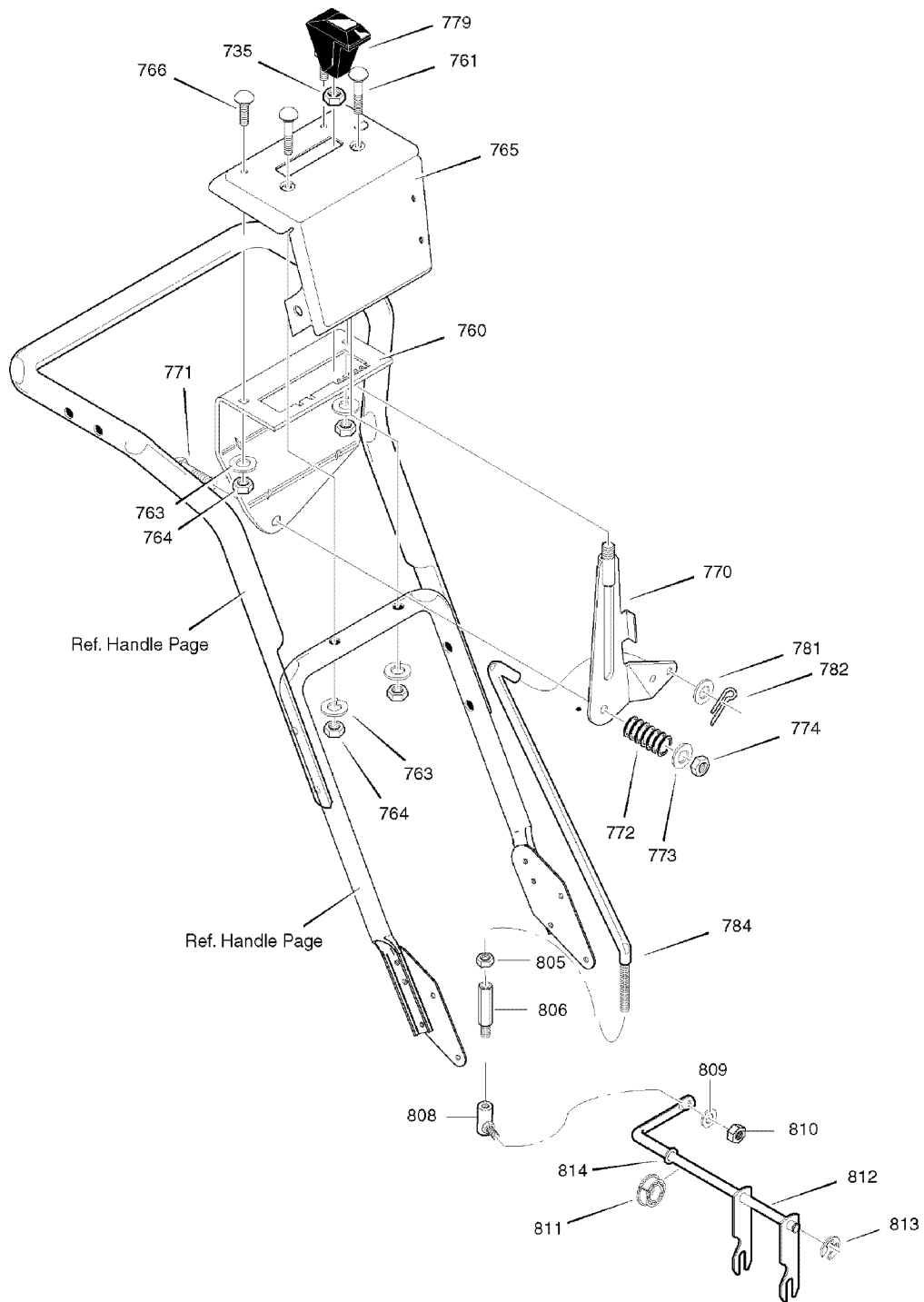
Craftsman 27" Snowthrower C950-52943-0

REF NO	PART NO.	QTY.	DESCRIPTION
852-1	1501533YZMA	1	ASSEMBLY, YOKE & ROD
852-2	164X37MA	1	SPRING
852-3	1501067MA	1	GEAR, CHUTE ROTATION 9T
852-4	017X48MA	1	WASHER
852-5	579493MA	1	PIN, COTTER
852-6	1740591AYP	1	BRACKET, CHUTE GEAR
852-7	1501293MA	1	PIN, HAIR
852-8	1501075YZMA	1	ASSEMBLY, YOKE ADAPTER YZ
852-9	711682MA	1	PIN, HAIR
852-10	578060MA	1	PIN, UNIVERSAL JOINT
852-11	578309MA	1	PIN, CLEVIS
852-13	578063MA	1	HOUSING, UNIVERSAL
854	307399MA	1	KNOB, SLEEVE
855	309312MA	1	FLATWASHER
856	73664MA	1	NUT, PUSH ON 3/8"
860	1501456MA	1	EYE BOLT 3/8-16 X 6.00
861	148MA	1	GROMMET, EYE BOLT
862	1501457MA	1	BOOT, EYE BOLT
863	71045MA	1	NUT, 3/8- 16 HEXJAM
864	71072MA	1	FLATWASHER .406 X .81 X .066
865	309344MA	1	ADAPTER, BOOT
867	71046MA	1	NUT, 3/8- 16 HEXNYL
868	02X101MA	1	BOLT, CARRIAGE 1/4-20 X 1.00
869	15X145MA	1	NUT, 1/4-20
870	1501074YZMA	1	CRANK, ASSEMBLY CHUTE

**Footnotes**

# Control Panel

NOTE: Unless noted otherwise, use the standard hardware torque specification chart.



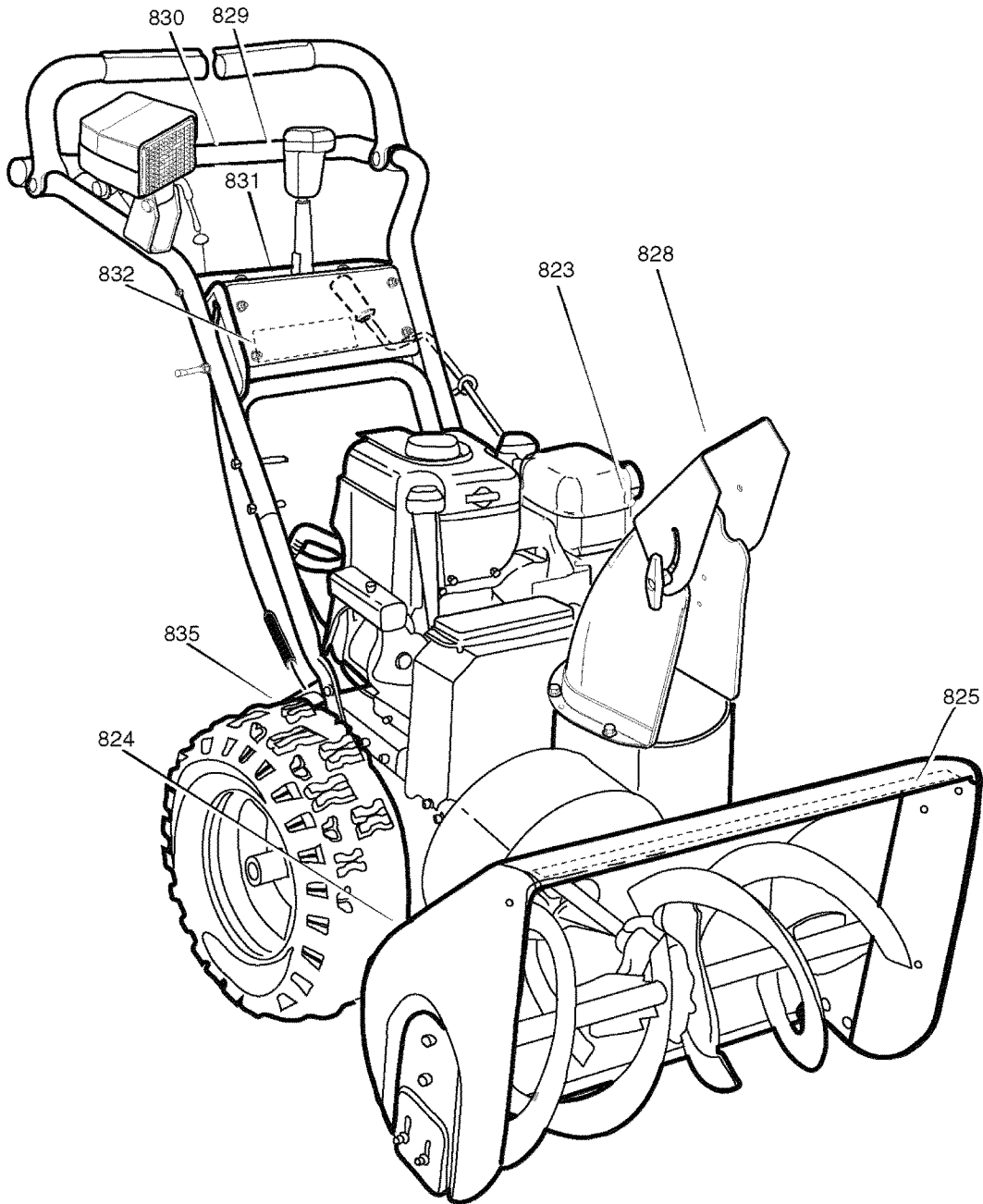
**Control Panel**

Craftsman 27" Snowthrower C950-52943-0

REF NO	PART NO.	QTY.	DESCRIPTION
735	71045MA	1	NUT, 3/8-16 HEXJAM
760	1741119AYP	1	BRACKET, SHIFT CONTROL
761	1931323SM	2	CARRIAGE BOLT, 1/4-20 x 2.00
763	71059MA	4	WASHER, SPLIT
764	71034MA	4	NUT, 1/4-20 HEX
765	1741123BNYP	1	CONTROL PANEL
766	3809MA	2	CARRIAGE BOLT, 1/4-20 X .63
770	1741118AYP	1	SHIFT LEVER ASSEMBLY
771	302900MA	1	SCREW, 5/16-18 X 1.75
772	50786MA	1	SPRING
773	71071MA	1	FLATWASHER
774	71038MA	1	NUT, 5/16-18 NYLON HEX
779	304437MA	1	GRIP
781	71071MA	1	WASHER, FLAT .349 X .69 X .066
782	71081MA	1	PIN, COTTER
784	1502019MA	1	ROD, SPEED CONTROL
805	71042MA	1	NUT, 5/16-24
806	6352MA	1	ADAPTER, SPEED ROD ASSEMBLY
808	50782MA	1	BALLJOINT, STEEL -YZ
809	71060MA	1	WASHER
810	71042MA	1	NUT, 5/16-24
811	579944MA	1	FLANGED BEARING
812	1501110YZMA	1	ROD ASSEMBLY, YOKE PANEL
813	11X30MA	1	RING, RETAINER
814	579858MA	1	WASHER

**Footnotes**

**NOTE:** Unless noted otherwise,  
use the standard hardware torque  
specification chart.



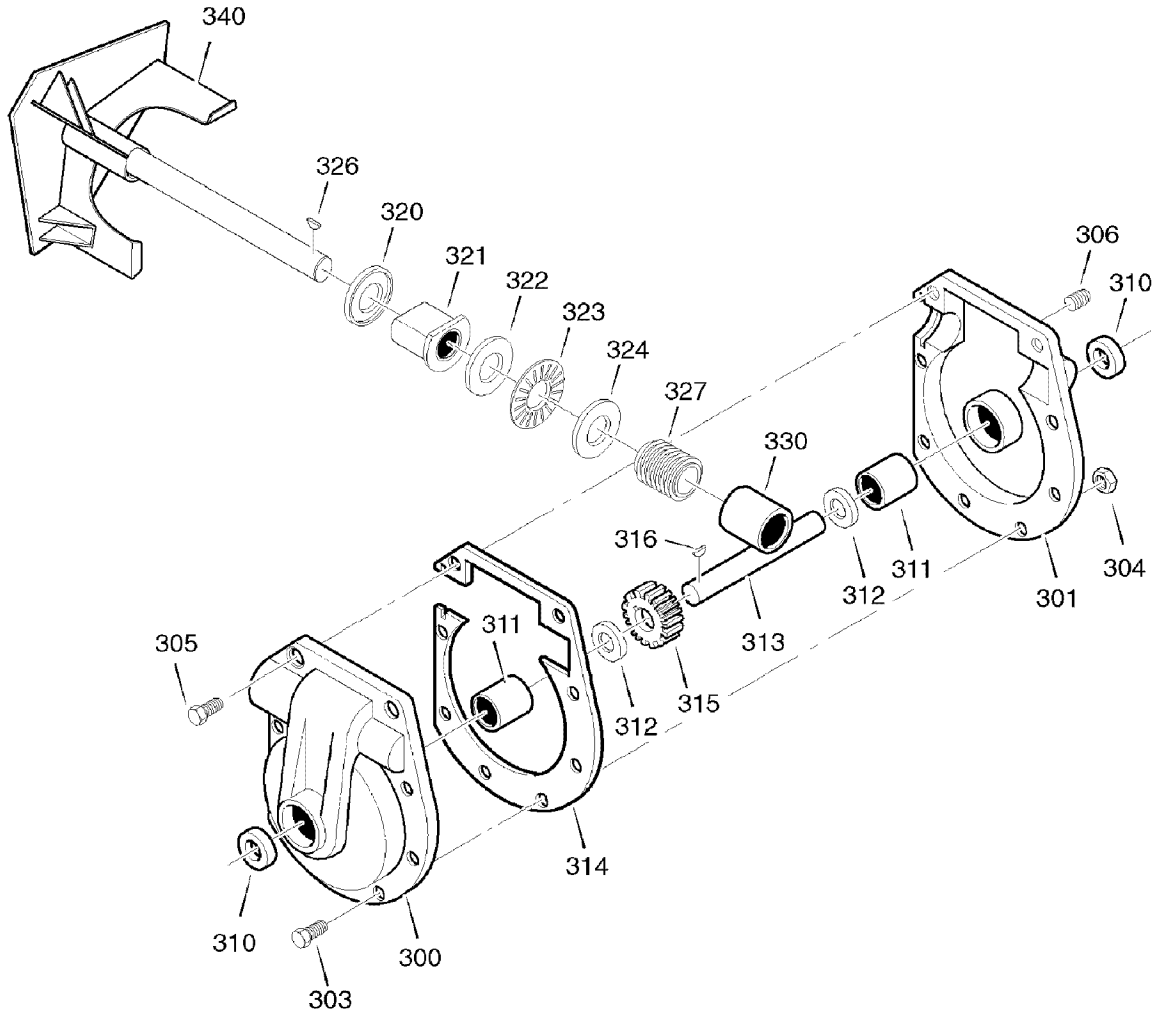
**Decals****Craftsman 27" Snowthrower C950-52943-0**

<b>REF NO</b>	<b>PART NO.</b>	<b>QTY.</b>	<b>DESCRIPTION</b>
823	1737865YP	1	DECAL, DANGER CHUTE HAND
824	1737866YP	1	DECAL, DANGER FOOT
825	1741432MA	1	DECAL, CRAFTSMAN 1350/27
829	1737870YP	1	DECAL, DRIVE CLUTCH
830	1737869YP	1	DECAL, AUGER CLUTCH
831	1737872YP	1	DECAL, GEAR SELECTOR
832	48X5565MA	1	DECAL, CRAFTSMAN
835	-----	1	DECAL, ID PLATE

**Footnotes**

# Gear Case

NOTE: Unless noted otherwise, use the standard hardware torque specification chart.





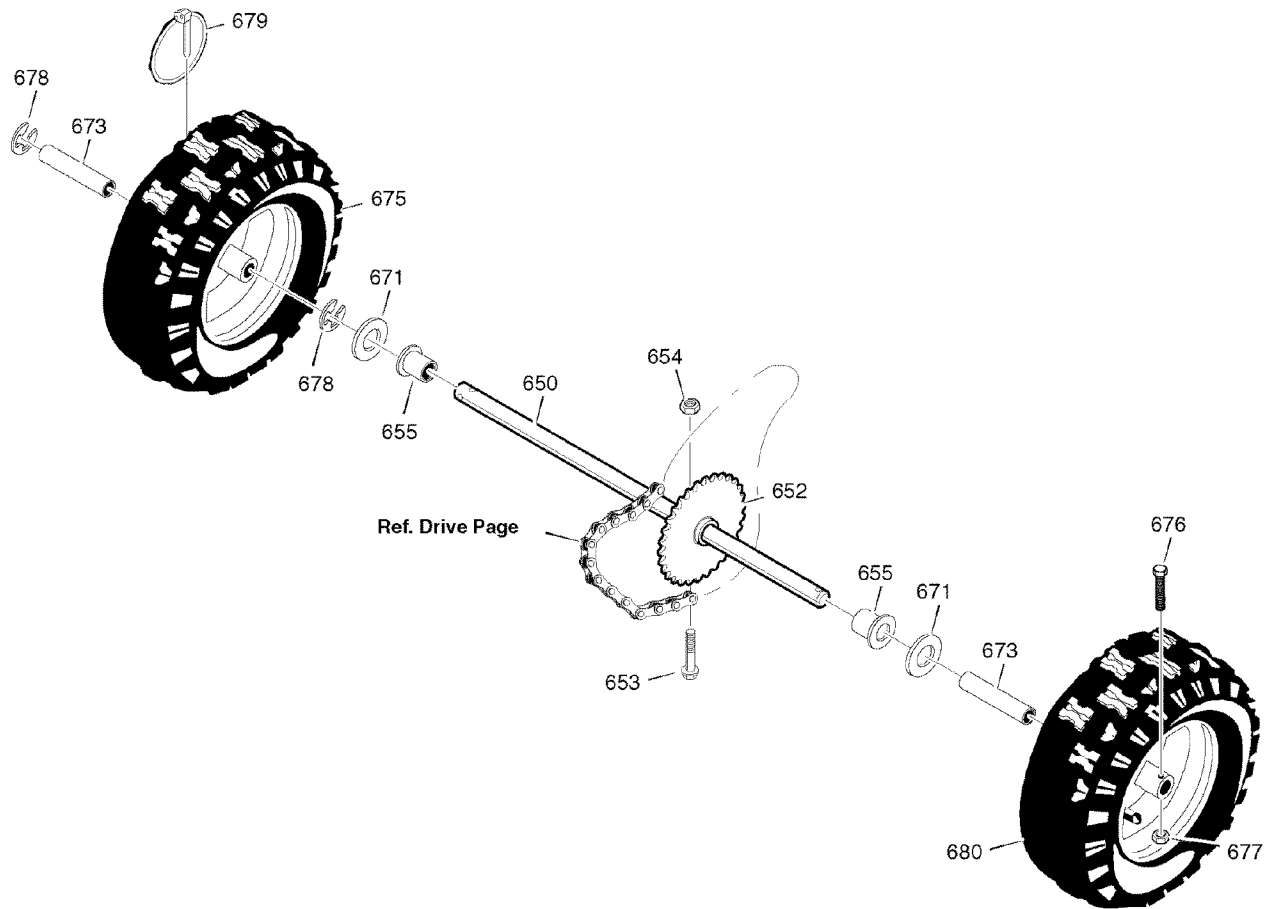
**Gear Case****Craftsman 27" Snowthrower C950-52943-0**

<b>REF NO</b>	<b>PART NO.</b>	<b>QTY.</b>	<b>DESCRIPTION</b>
300	896MA	1	CASE, GEAR, RH
301	895MA	1	CASE, GEAR, LH
303	910828MA	7	SCREW, 5/16-24 x 1.00
304	71100MA	8	NUT, 5/16-24
305	330434MA	1	SCREW, 5/16-24 X 1.50
306	53749MA	1	PLUG, PIPE 0.25-18
310	780151MA	2	SEAL, OIL
311	53743MA	1	BEARING, SLEEVE
312	53748MA	2	WASHER, FLAT
313	760529MA	1	SHAFT, AUGER OUTPUT
314	897MA	1	GASKET, GEAR BOX
315	53730MA	1	WORM GEAR
316	73905MA	1	KEY, WOODRUFF #91
320	53737MA	1	RING, QUAD 0.924 ID
321	583126MA	1	BEARING, FLANGE
322	48275MA	1	WASHER, FLAT
323	50684MA	1	BEARING, ROLLER
324	48275MA	1	WASHER, FLAT
326	50795MA	1	KEY
327	53732MA	1	WORM
330	53731MA	1	BEARING, SLEEVE
340	1740584AYP	1	IMPELLER
--	333431MA	1	10oz TUBE LUBRIPLATE

**Footnotes**

# Wheels

NOTE: Unless noted otherwise, use the standard hardware torque specification chart.



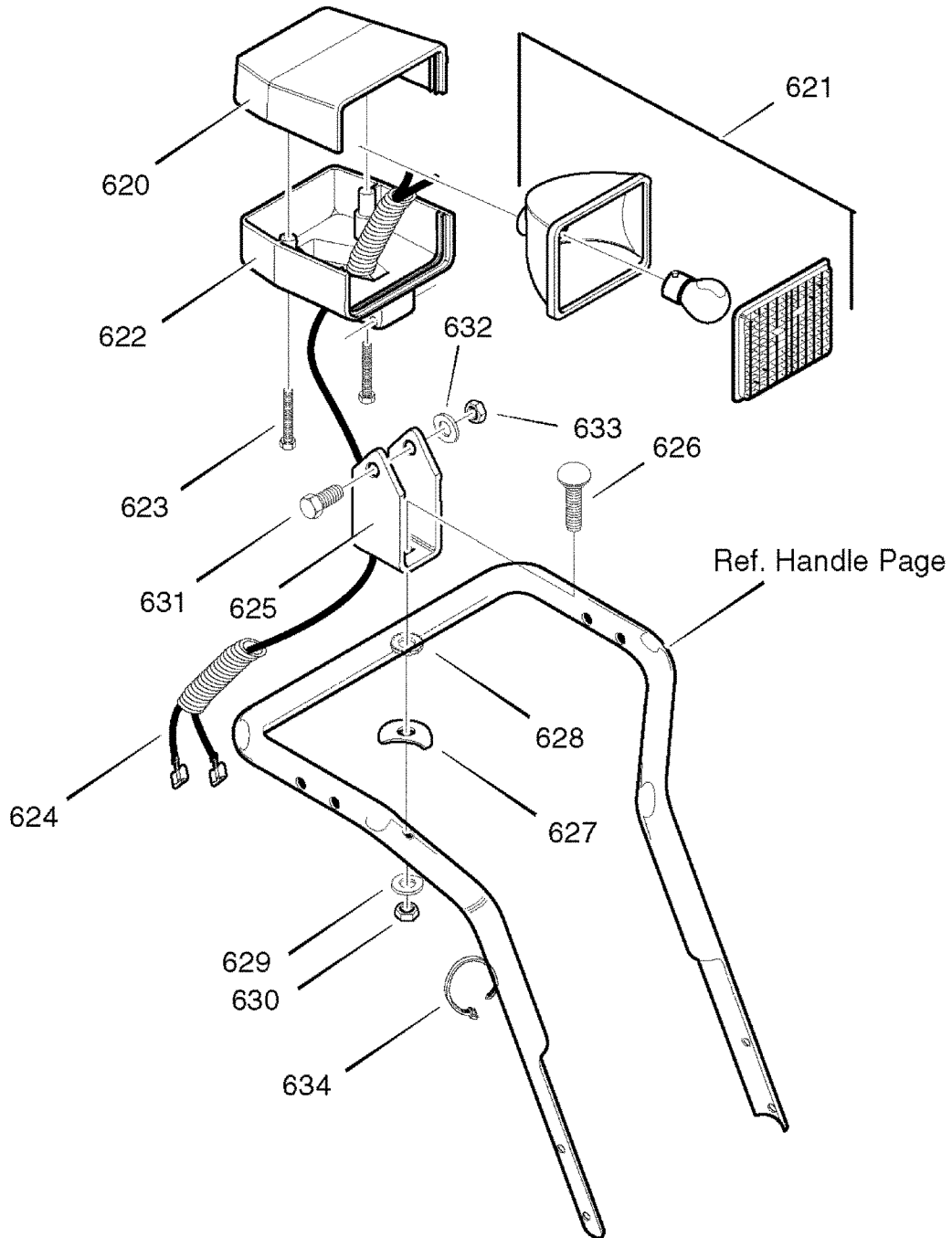
**Wheels****Craftsman 27" Snowthrower C950-52943-0**

<b>REF NO</b>	<b>PART NO.</b>	<b>QTY.</b>	<b>DESCRIPTION</b>
650	1501563MA	1	SHAFT, AXLE
652	1501089MA	1	SPRKT & HUB
653	01X193MA	1	SCREW, 1/4-20 X 1.75
654	15X145MA	1	NUT, 1/4- 20 HEX NYLOCK
655	1501114MA	2	BEARING, AXLE
671	712120MA	2	WASHER, Flat .765 x 1.12 x .06 YZ
673	1501138MA	1	BUSHING, WHEEL
675	1736778YP	1	TIRE & RIM, RIGHT
676	577015MA	1	SCREW, 1/4-20 X 1.75 HH
677	15X145MA	1	NUT, 1/4- 20 HEX NYLOCK
678	1657528SM	1	RING, RETAINER
679	73842MA	1	PIN, KLIK .25 X 1.38 DIA
680	1736779YP	1	TIRE & RIM, LEFT

**Footnotes**

# Headlight

NOTE: Unless noted otherwise, use the standard hardware torque specification chart.



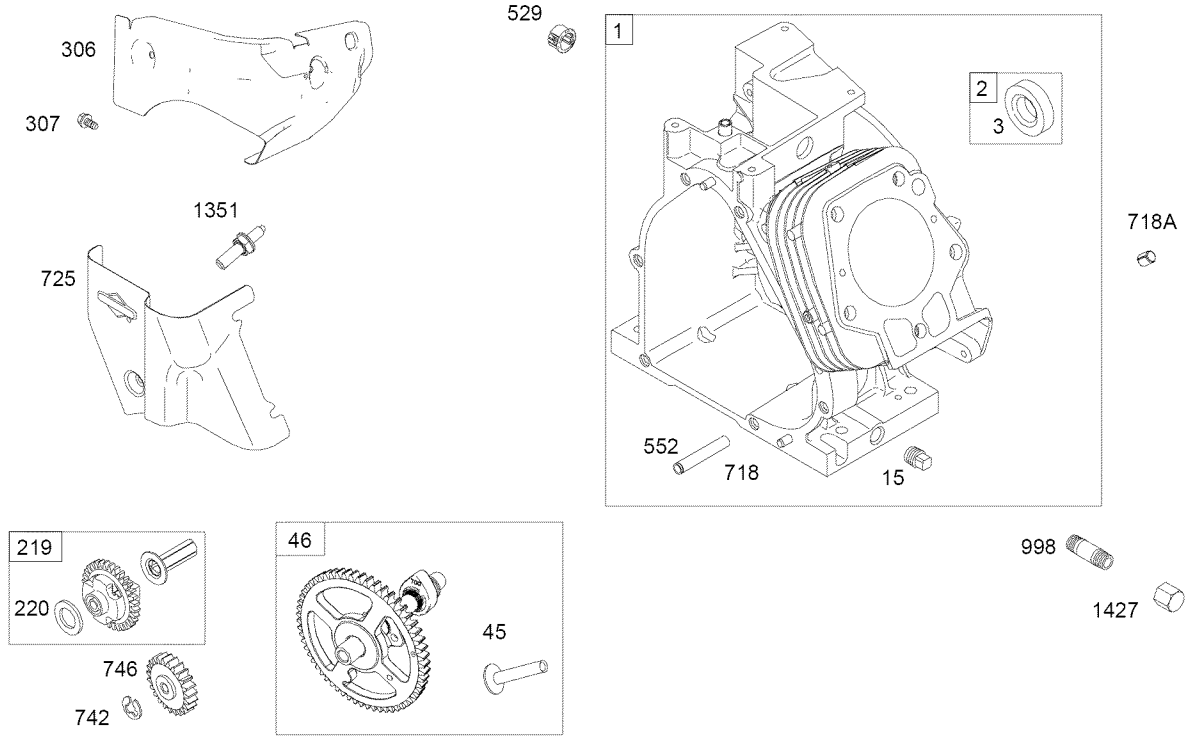
**Headlight**

Craftsman 27" Snowthrower C950-52943-0

REF NO	PART NO.	QTY.	DESCRIPTION
620	583490MA	1	HOUSING, HEADLIGHT UPPER
621	762343MA	1	HEADLIGHT ASSEMBLY *
622	1501514MA	1	HOUSING, HEADLIGHT LOWER
623	307781MA	2	SCREW, #8 X 1.75
624	1738347YP	1	WIRING HARNESS, HALOGEN
625	4029YZMA	1	BRACKET, HEADLIGHT
626	002X88MA	1	BOLT, CARRIAGE - 5/16-18 X 2.00
627	580527MA	1	WASHER, SADDLE
628	71061MA	1	WASHER, EXLK .32 X .60 X .040
629	71060MA	1	WASHER, SPTLK .31 X .58 X .08
630	15X144MA	1	NUT, 5/16-18 REGHEX
631	235MA	1	SCREW, 5/16-18 X 2.00
632	71060MA	1	WASHER, SPTLK
633	15X144MA	1	NUT, 5/16- 18 REGHEX
634	032618MA	1	TIE, CABLE

**Footnotes**

Note\* For replacement bulb, use Standard GE or Phillips #894.



Assemblies include all parts shown in frames.

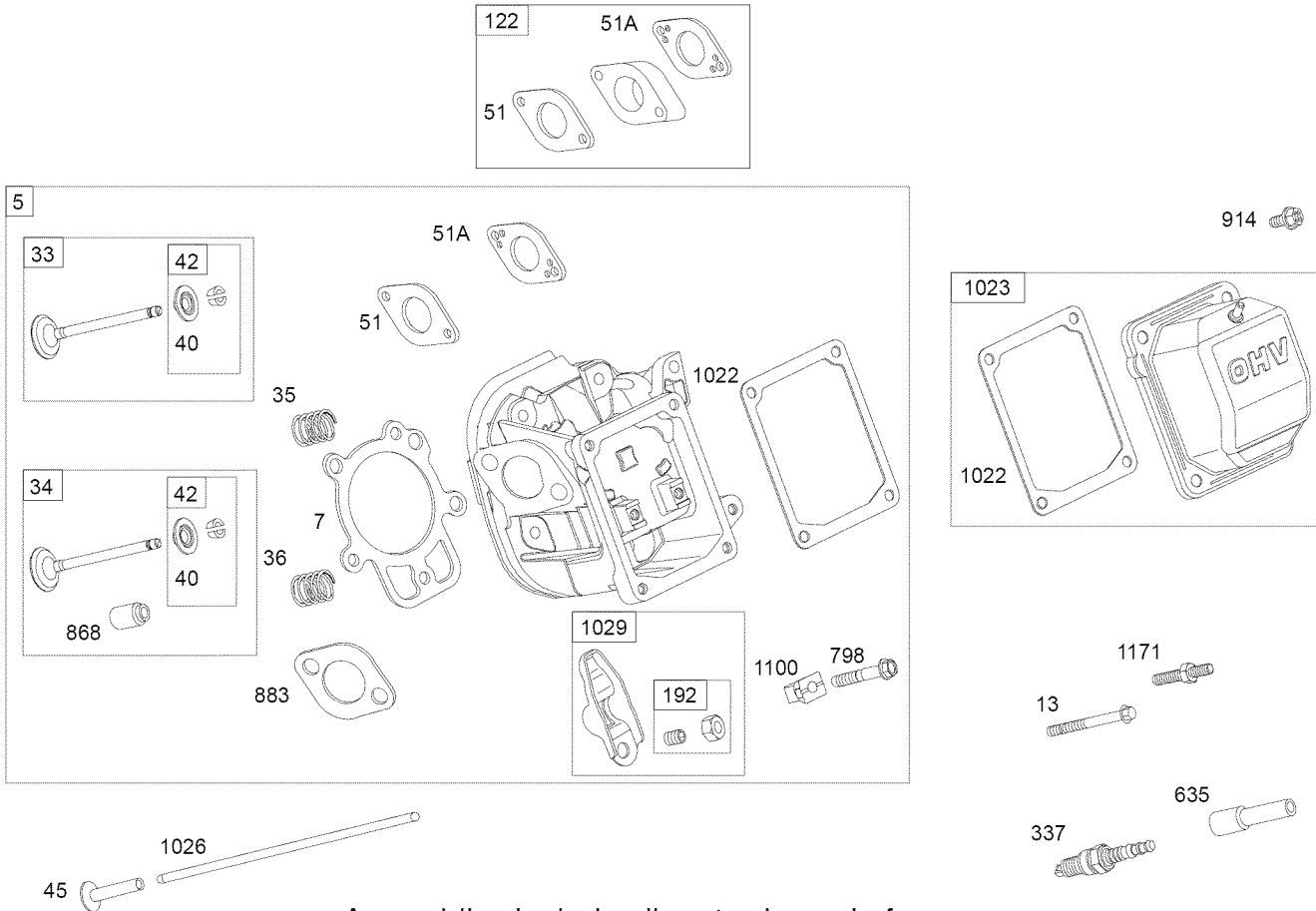
## Cylinder Assembly

### Engine: Briggs & Stratton Model 20M114-0141-E1

Ref. No.	Part No.	Qty.	Description
1	794849	1	Cylinder Assembly
2	698340	1	Kit-Bushing/Seal (Magneto Side)
3	391086s	1	Seal-Oil (Magneto Side)
15	691686	1	Plug-Oil Drain
45	690977	1	Tappet-Valve
46	795697	1	Camshaft
48	794910	1	Short Block
219	693578	1	Gear-Governor
220	691724	1	Washer (Governor Gear)
306	697240	1	Shield-Cylinder
307	794822	1	Screw (Cylinder Shield)
529	791822	1	Grommet (Cylinder)

Ref. No.	Part No.	Qty.	Description
552	694674	1	Bushing-Governor Crank
718	690959	1	Pin-Locating (Cylinder)
718A	695178	1	Pin-Locating (Cylinder Head)
725	696756	1	Shield-Heat
742	692564	1	Retainer-E Ring
746	694679	1	Gear-Idler
998	792928	1	Pipe-Oil
1058	277104	1	Operator's Manual
1329	20P4140015E1	1	Replacement Engine
1330	276781	1	Repair Manual
1351	794847	1	Stud (Cylinder Shield)
1427	695757	1	Cap-Pipe





Assemblies include all parts shown in frames.

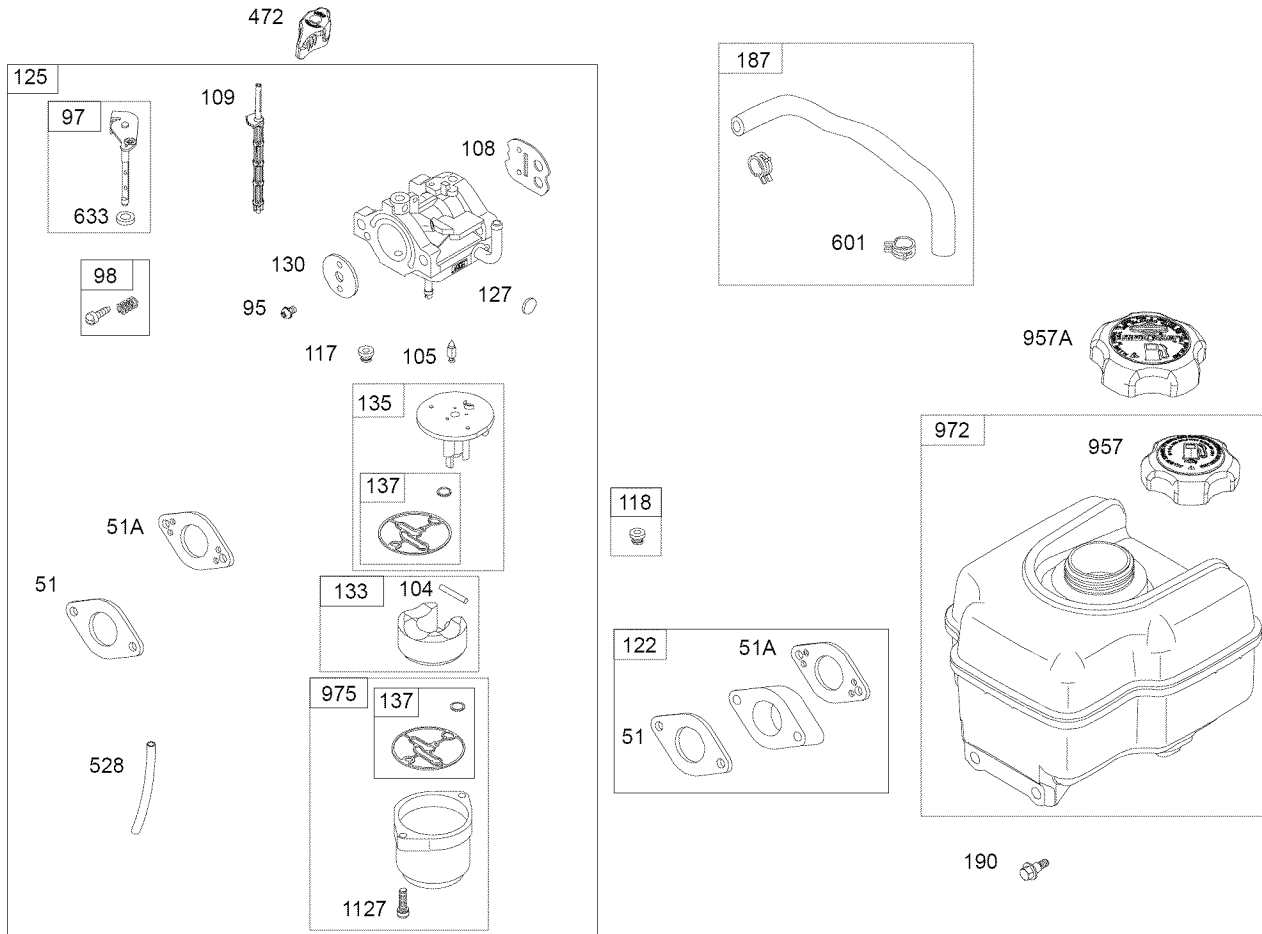
## Cylinder Head Assembly

### Engine: Briggs & Stratton Model 20M114-0141-E1

Ref. No.	Part No.	Qty.	Description
5	794871	1	Head-Cylinder
7	694872	1	Gasket-
			Cylinder Head
13	794829	1	Screw
			(Cylinder Head)
33	499596	1	Valve-Exhaust
34	795199	1	Valve-Intake
35	694865	1	Spring-Valve
36	694865	1	Spring-Valve
40	690964	1	Retainer-Valve
42	499586	1	Keeper-Valve
45	690977	1	Tappet-Valve
51	694874	1	Gasket-Intake
51A	694875	1	Gasket-Intake
122	796315	1	Spacer-Carburetor
192	690083	1	Adjuster-Rocker Arm

Ref. No.	Part No.	Qty.	Description
337	691043	1	Plug-Spark
635	691909	1	Boot-Spark Plug
798	697890	1	Screw
			(Rocker Arm)
868	794086	1	Seal-Valve
883	695398	1	Gasket-Exhaust
914	794827	1	Screw
			(Rocker Cover)
1022	690971	1	Gasket-
			Rocker Cover
1023	698042	1	Cover-Rocker
1026	695177	1	Rod-Push
1029	690972	1	Arm-Rocker
1100	791959	1	Pivot-Rocker Arm
1171	794828	1	Stud
			(Rocker Cover)





Assemblies include all parts shown in frames.

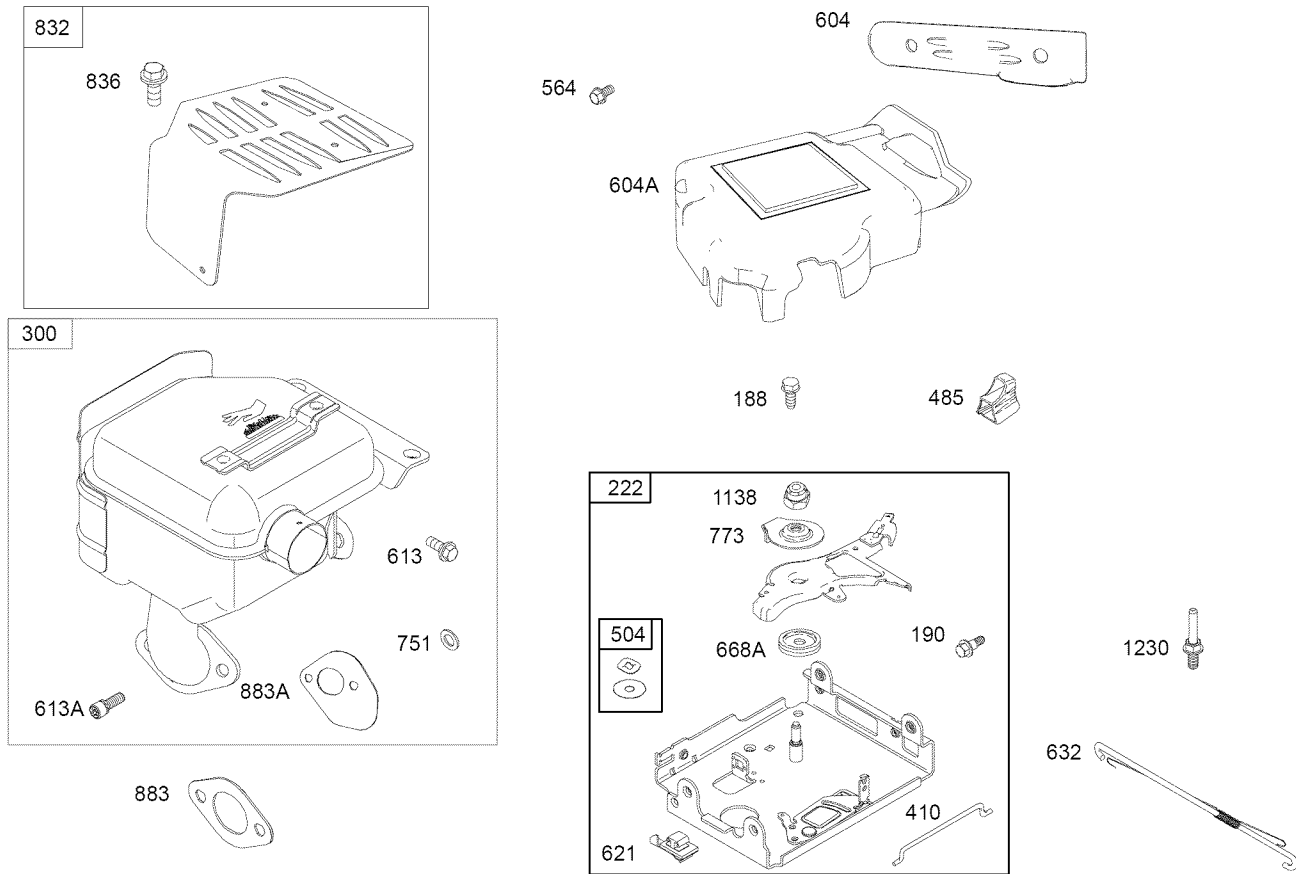
## Carburetor and Fuel Supply Assemblies Engine: Briggs & Stratton Model 20M114-0141-E1

Ref. No.	Part No.	Qty.	Description
51	694874	1	Gasket-Intake
51A	694875	1	Gasket-Intake
95	690718	1	Screw (Throttle Valve)
97	696387	1	Shaft-Throttle
98	695408	1	Kit-Idle Speed
104	694918	1	Pin-Float Hinge
105	696136	1	Valve-Float Needle
108	696736	1	Valve-Choke
109	793520	1	Shaft-Choke
117	796080	1	Jet-Main (Standard)
118	796128	1	Jet-Main (High Altitude)
122	796315	1	Spacer-Carburetor
125	796122	1	Carburetor
127	690727	1	Plug-Welch
130	696139	1	Valve-Throttle
133	694914	1	Float-Carburetor
135	698780	1	Tube-Fuel Transfer

Ref. No.	Part No.	Qty.	Description
137	698781	1	Gasket-Float Bowl
187	791879	1	Line-Fuel (Formed)
190	699220	1	Screw (Fuel Tank)
472	791948	1	Knob-Choke Shaft
528	793006	1	Hose-Primer (Cut to Required Length)
601	791850	1	Clamp-Hose (Green)
633	690998	1	Seal- Choke/Throttle Shaft (Throttle Shaft)
957	795027	1	Cap-Fuel Tank
957A	792647	1	Cap-Fuel Tank (Fresh Start)
972	694260	1	Tank-Fuel
975	698783	1	Bowl-Float
1127	695407	1	Screw (Float Bowl)

Valve Gasket Set-Reference 1095  
Engine Gasket Set-Reference 358

Carburetor Overhaul Kit-Reference 121



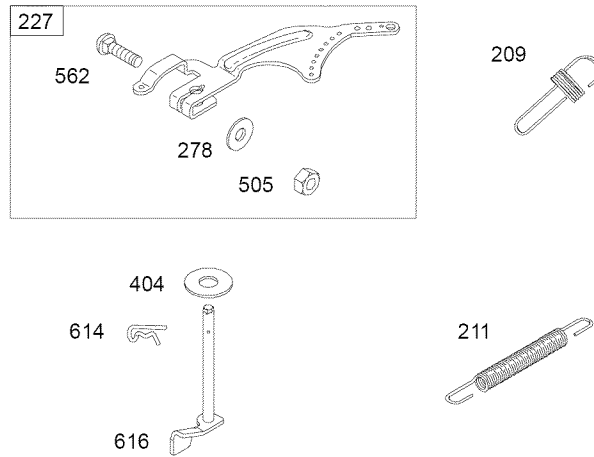
Assemblies include all parts shown in frames.

## Muffler and Controls Assembly

### Engine: Briggs & Stratton Model 20M114-0141-E1

Ref. No.	Part No.	Qty.	Description
188	699479	1	Screw (Control Bracket)
190	699220	1	Screw (Fuel Tank)
222	794800	1	Bracket-Control
300	794948	1	Muffler
410	695382	1	Link-Control
485	695755	1	Knob-Control
504	695383	1	Washer Set-Friction (Control Bracket)
564	699854	1	Screw (Control Cover)
604	790473	1	Cover-Control
604A	696758	1	Cover-Control
613	794846	1	Screw (Muffler) (M6)
613A	794844	1	Screw (Muffler) (M8 Torx)
621	692310	1	Switch-Stop

Ref. No.	Part No.	Qty.	Description
632	695917	1	Spring/Link-Mechanical Governor
668A	694257	1	Spacer (Control Bracket)
751	794839	1	Washer (Stop Wire)
773	694258	1	Retainer (Control Bracket)
832	797095	1	Guard-Muffler
836	699234	1	Screw (Muffler Guard)
883	695398	1	Gasket-Exhaust
883A	794818	1	Gasket-Exhaust
1138	694255	1	Nut (Control Bracket)
1230	699847	1	Stud (Control Bracket)

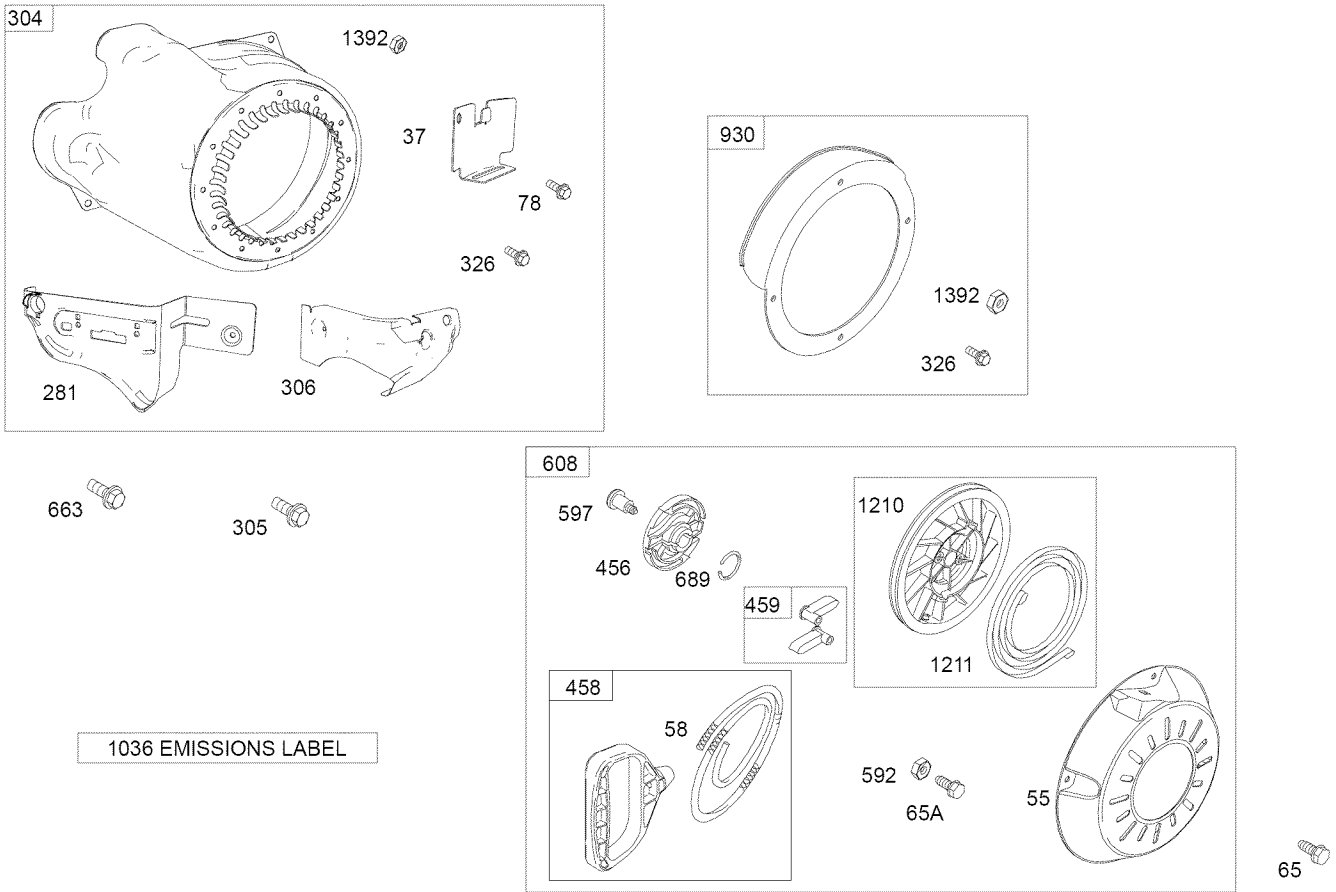


*Assemblies include all parts shown in frames.*

## Governor Spring and Governor Lever Assembly Engine: Briggs & Stratton Model 20M114-0141-E1

Ref. No.	Part No.	Qty.	Description
209	694867	1	Spring-Governor (Red)
211	695307	1	Spring-Governed Idle Lever
227	694864	1	Lever-Governor Control
278	792008	1	Washer (Governor Control Lever)
404	795759	1	Washer (Governor Crank)

Ref. No.	Part No.	Qty.	Description
505	691251	1	Nut (Governor Control Lever)
562	793216	1	Bolt (Governor Control Lever)
614	691620	1	Pin-Cotter (Governor Crank)
616	795758	1	Crank-Governor

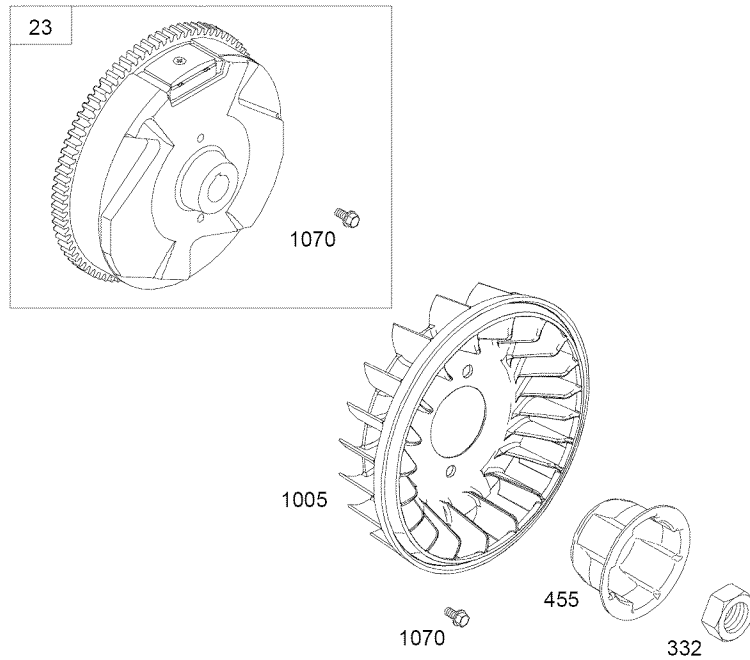


Assemblies include all parts shown in frames.

## Blower Housing and Rewind Starter Assemblies Engine: Briggs & Stratton Model 20M114-0141-E1

Ref. No.	Part No.	Qty.	Description
37	699047	1	Guard-Flywheel
55	696710	1	Housing-Rewind Starter
58	693389	1	Rope-Starter
65	699851	1	Screw (Rewind Starter)
65A	690837	1	Screw (Rewind Starter)
78	695724	1	Screw (Flywheel Guard)
281	697268	1	Panel-Control
304	795699	1	Housing-Blower
305	699480	1	Screw (Blower Housing)
306	697240	1	Shield-Cylinder
326	690837	1	Screw (Rewind Guard)
456	692299	1	Plate-Pawl Friction
458	699334	1	Kit-Handle/Rope
459	281505s	1	Pawl-Ratchet
592	690800	1	Nut (Rewind Starter)

Ref. No.	Part No.	Qty.	Description
597	691696	1	Screw (Pawl Friction Plate)
608	699335	1	Starter-Rewind
663	699854	1	Screw (Control Panel)
689	691855	1	Spring-Friction
930	696709	1	Guard-Rewind
1036			Label-Emissions (Available from a Briggs & Stratton Authorized Dealer)
1210	498144	1	Pulley/Spring Assembly (Pulley)
1211	498144	1	Spring/Pulley Assembly (Spring)
1392	690800	1	Nut (Rewind Guard)



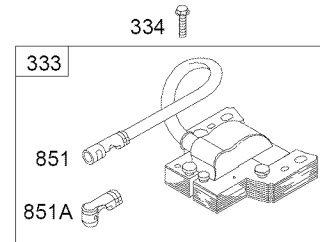
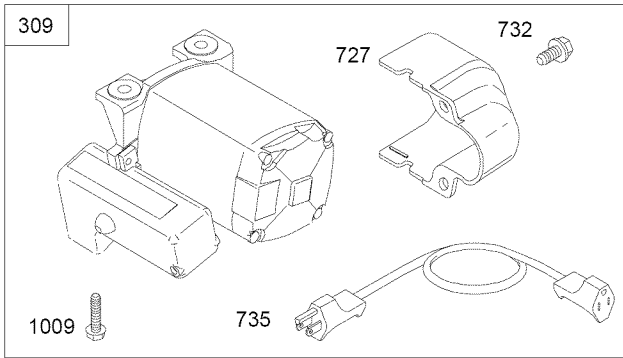
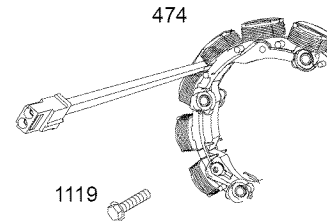
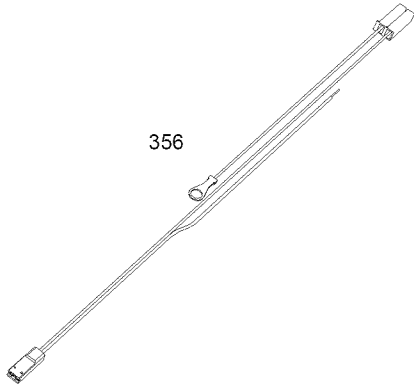
*Assemblies include all parts shown in frames.*

## Flywheel Assembly

### Engine: Briggs & Stratton Model 20M114-0141-E1

Ref. No.	Part No.	Qty.	Description
23	794812	1	Flywheel
332	794824	1	Nut (Flywheel)
455	795011	1	Cup-Flywheel

Ref. No.	Part No.	Qty.	Description
1005	794815	1	Fan-Flywheel
1070	794821	1	Screw (Flywheel Fan)



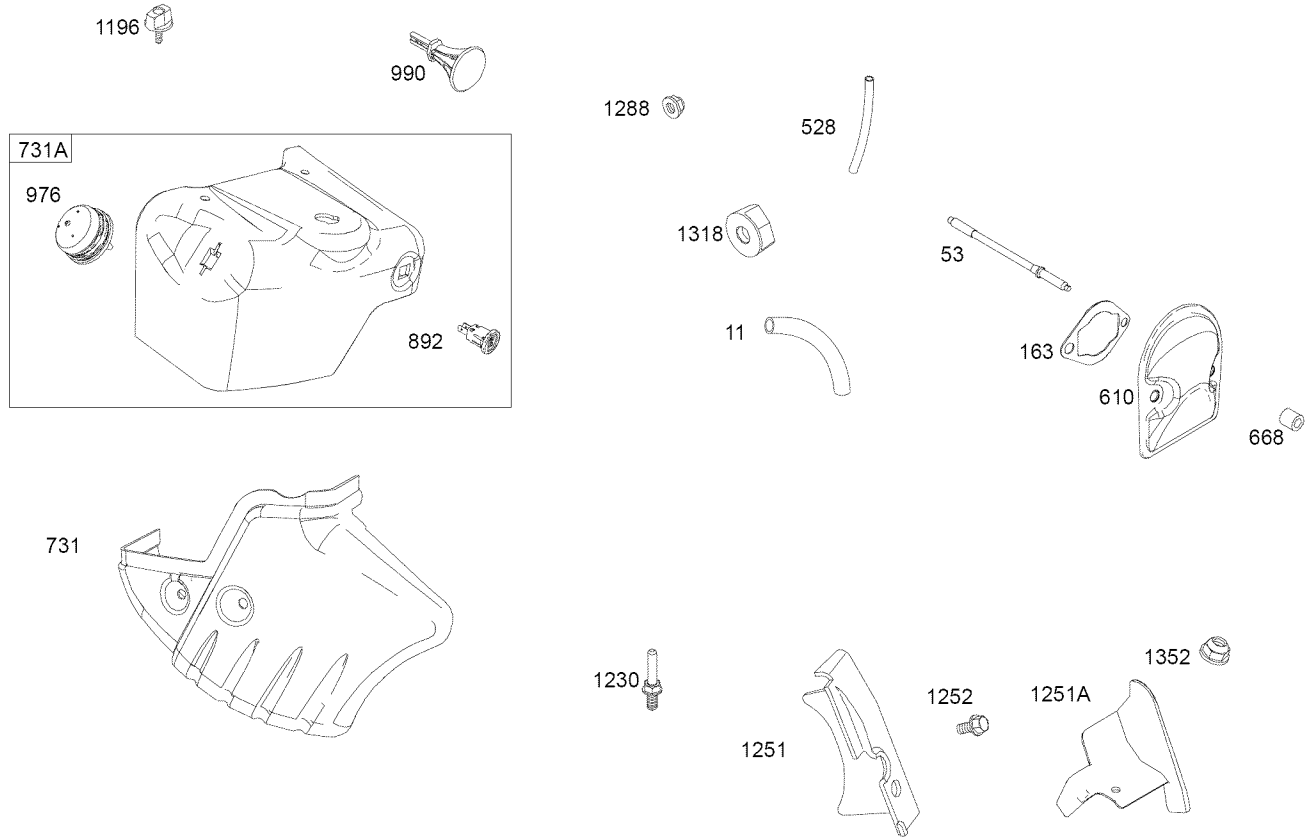
Assemblies include all parts shown in frames.

## Starter Motor and Ignition Assemblies

### Engine: Briggs & Stratton Model 20M114-0141-E1

Ref. No.	Part No.	Qty.	Description
309	795909	1	Motor-Starter
333	492341	1	Armature-Magneto
334	699477	1	Screw
356	793206	1	Wire-Stop
474	797090	1	Alternator
578	792576	1	Wire Assembly
727	697465	1	Cover-Starter Drive
732	699200	1	Screw (Starter Drive Cover)

Ref. No.	Part No.	Qty.	Description
735	795901	1	Cord-Starter
851	692424	1	Terminal-Spark Plug
851A	493880s	1	Terminal-Spark Plug
1009	795012	1	Screw (Starter Motor)
1119	699772	1	Screw (Alternator)



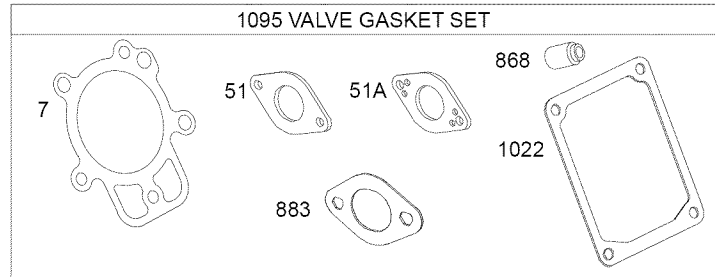
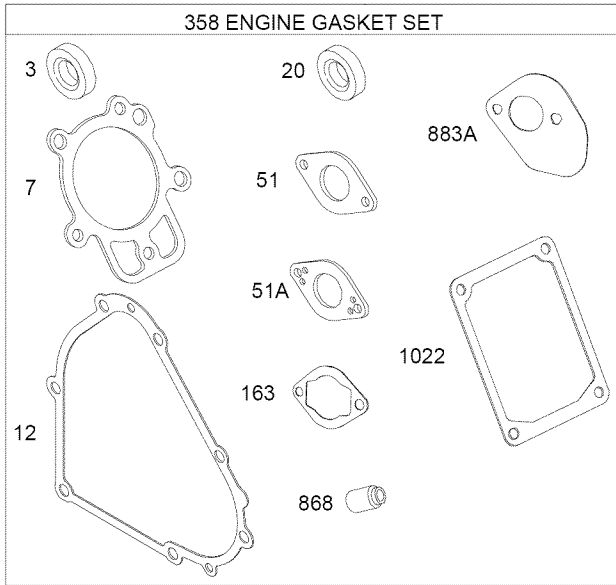
Assemblies include all parts shown in frames.

## Snow Hood Assemblies

### Engine: Briggs & Stratton Model 20M114-0141-E1

Ref. No.	Part No.	Qty.	Description
11	696750	1	Tube-Breather
53	795017	1	Stud
163	692277	1	Gasket-Air Cleaner
528	793006	1	Hose-Primer (Cut to Required Length)
610	794541	1	Arrester-Intake
668	794539	1	Spacer (Snow Hood)
731	794540	1	Hood-Snow
731A	793621	1	Hood-Snow
892	791944	1	Switch-Key
976	793382	1	Primer-Carburetor
990	794696	1	Key Set
1196	696692	1	Screw (Snow Hood)

Ref. No.	Part No.	Qty.	Description
1230	699847	1	Stud (Control Bracket)
1251	696762	1	Shield-Snow
1251A	790471	1	Shield-Snow
1252	699480	1	Screw (Snow Shield)
1288	794838	1	Nut (Snow Hood)
1318	698111	1	Nut (Snow Hood)
1352	795016	1	Nut (Spark Plug Shield)



Assemblies include all parts shown in frames.

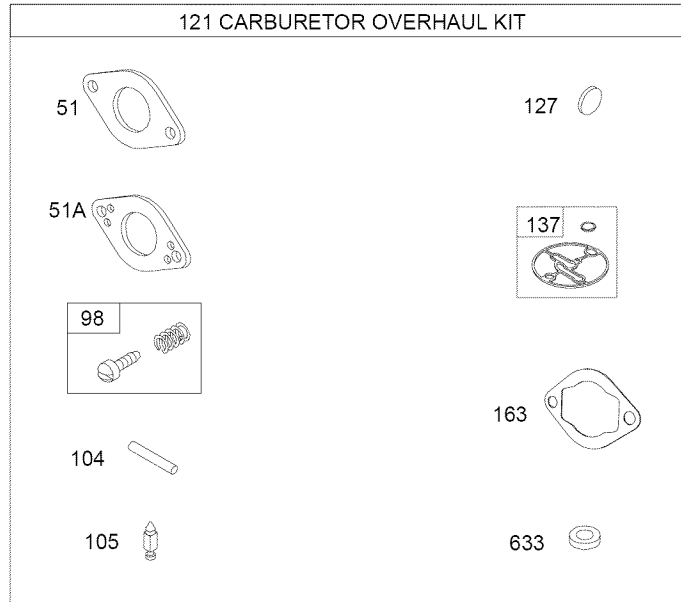
## Engine Gasket and Valve Gasket Set Assemblies

### Engine: Briggs & Stratton Model 20M114-0141-E1

Ref. No.	Part No.	Qty.	Description
3	391086s	1	Seal-Oil (Magnetor Side)
7	694872	1	Gasket-Cylinder Head
12	694953	1	Gasket-Crankcase
20	391086s	1	Seal-Oil (PTO Side)
51	694874	1	Gasket-Intake
51A	694875	1	Gasket-Intake
163	692277	1	Gasket-Air Cleaner

Ref. No.	Part No.	Qty.	Description
358	795201	1	Gasket Set-Engine
868	794086	1	Seal-Valve
883	695398	1	Gasket-Exhaust
883A	794818	1	Gasket-Exhaust
1022	690971	1	Gasket-Rocker Cover
1095	795200	1	Gasket Set-Valve





Assemblies include all parts shown in frames.

## Carburetor Overhaul Kit Assembly

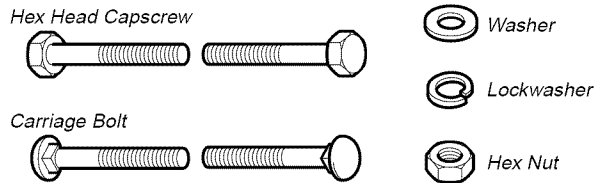
### Engine: Briggs & Stratton Model 20M114-0141-E1

Ref. No.	Part No.	Qty.	Description
51	694874	1	Gasket-Intake
51A	694875	1	Gasket-Intake
98	695408	1	Kit-Idle Speed
104	694918	1	Pin-Float Hinge
105	696136	1	Valve-Float Needle
121	796137	1	Kit-Carburetor Overhaul

Ref. No.	Part No.	Qty.	Description
127	690727	1	Plug-Welch
137	698781	1	Gasket-Float Bowl
163	692277	1	Gasket-Air Cleaner
633	690998	1	Seal-Choke/Throttle Shaft (Throttle Shaft)

# Hardware Identification & Torque Specifications

## Common Hardware Types

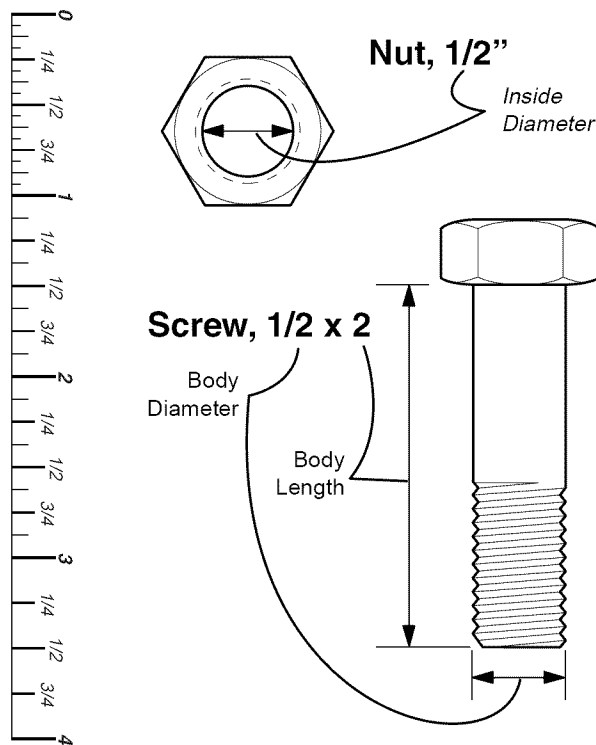


## Standard Hardware Sizing

When a washer or nut is identified as 1/2", this is the *Nominal size*, meaning the *inside diameter* is 1/2 inch; if a second number is present it represent the *threads per inch*

When bolt or capscrew is identified as 1/2 - 16 x 2", this means the *Nominal size*, or *body diameter* is 1/2 inch; the second number represents the *threads per inch* (16 in this example, and the final number is the *body length* of the bolt or screw (in this example 2 inches long).

**The guides and ruler furnished below are designed to help you select the appropriate hardware and tools.**



## Torque Specification Chart

FOR STANDARD MACHINE HARDWARE (Tolerance  $\pm 20\%$ )

Hardware Grade	No Marks SAE Grade 2		SAE Grade 5		SAE Grade 8	
	in/lbs ft/lbs	Nm.	in/lbs ft/lbs	Nm.	in/lbs ft/lbs	Nm.
8-32	19	2.1	30	3.4	41	4.6
8-36	20	2.3	31	3.5	43	4.9
10-24	27	3.1	43	4.9	60	6.8
10-32	31	3.5	49	5.5	68	7.7
1/4-20	66	7.6	8	10.9	12	16.3
1/4-28	76	8.6	10	13.6	14	19.0
5/16-18	11	15.0	17	23.1	25	34.0
5/16-24	12	16.3	19	25.8	27	34.0
3/8-16	20	27.2	30	40.8	45	61.2
3/8-24	23	31.3	35	47.6	50	68.0
7/16-14	30	40.8	50	68.0	70	95.2
7/16-20	35	47.6	55	74.8	80	108.8
1/2-13	50	68.0	75	102.0	110	149.6
1/2-20	55	74.8	90	122.4	120	163.2
9/16-12	65	88.4	110	149.6	150	204.0
9/16-18	75	102.0	120	163.2	170	231.2
5/8-11	90	122.4	150	204.0	220	299.2
5/8-18	100	136	180	244.8	240	326.4
3/4-10	160	217.6	260	353.6	386	525.0
3/4-16	180	244.8	300	408.0	420	571.2
7/8-9	140	190.4	400	544.0	600	816.0
7/8-14	155	210.8	440	598.4	660	897.6
1-8	220	299.2	580	788.8	900	1,244.0
1-12	240	326.4	640	870.4	1,000	1,360.0

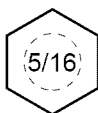
### NOTES

- These torque values are to be used for all hardware excluding: locknuts, self-tapping screws, thread forming screws, sheet metal screws and socket head setscrews.
- Recommended seating torque values for locknuts:
  - for prevailing torque locknuts - use 65% of grade 5 torques.
  - for flange whizlock nuts and screws - use 135% of grade 5 torques.
- Unless otherwise noted on assembly drawings, all torque values must meet this specification.

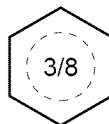
## Wrench & Fastener Size Guide



1/4" Bolt or Nut  
Wrench—7/16"



5/16" Bolt or Nut  
Wrench—1/2"



3/8" Bolt or Nut  
Wrench—9/16"



7/16" Bolt or Nut  
Wrench (Bolt)—5/8"  
Wrench (Nut)—11/16"



1/2" Bolt or Nut  
Wrench—3/4"

# SEARS

*Manuel  
d'utilisation*

Modèle  
C950-52943-0  
13.5 T.P.  
27 pouces

**Attention:**

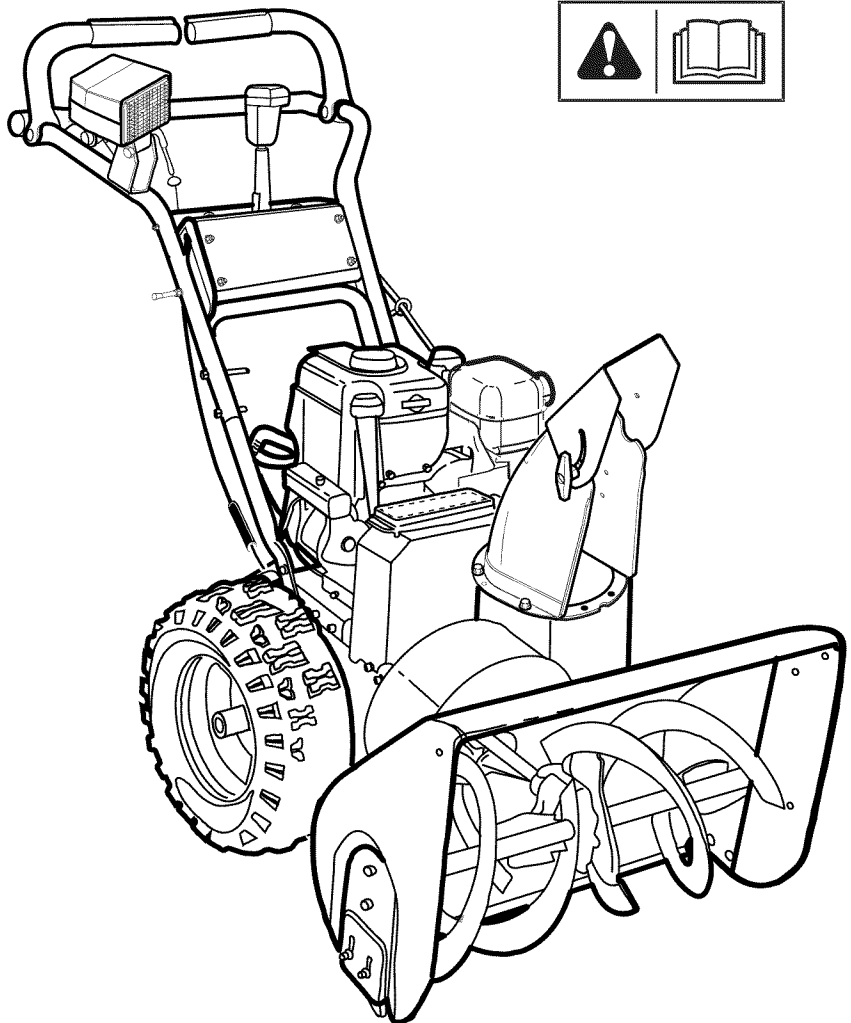
Lire et bien comprendre  
ce manuel avant d'utiliser  
le chasse-neige.

Numéro de série \_\_\_\_\_

# SEARS

# CRAFTSMAN

## CHASSE-NEIGE À DEUX PHASES



**Merci** d'avoir acheté cette souffleuse à neige Craftsman. Nous sommes heureux que vous ayez placé votre confiance dans la marque Craftsman. Si vous utilisez et entretenez ce produit Craftsman conformément aux instructions du manuel, vous pourrez l'utiliser pendant de nombreuses années.

**Ce manuel contient** des informations relatives à la sécurité afin que vous connaissiez les dangers et risques qui sont liés aux souffleuses à neige et la façon de les éviter. Cette souffleuse à neige est conçue et est destiné uniquement pour éliminer la neige et ne peut être utilisée pour aucune autre raison. Il est important que vous lisiez et compreniez ces instructions en profondeur avant de tenter de démarrer ou d'utiliser l'équipement. **Un assemblage de finition est nécessaire avant d'utiliser la souffleuse à neige.** Veuillez vous reporter à la rubrique Assemblage afin d'obtenir les directives pour l'assemblage de finition. Veuillez suivre attentivement les directives. **Sauvegardez ces instructions pour votre référence.**

**Souffleuse à neige:**

Numéro de modèle \_\_\_\_\_

Révision \_\_\_\_\_

Numéro de série \_\_\_\_\_

**Moteur:**

Numéro de modèle \_\_\_\_\_

Révision \_\_\_\_\_

Numéro de série \_\_\_\_\_

**Date d'achat:** \_\_\_\_\_

**Adresse du magasin d'achat:** \_\_\_\_\_

**Ville:** \_\_\_\_\_

**Province:** \_\_\_\_\_

**Téléphone:** \_\_\_\_\_

**REMARQUE:** Noter les renseignements ci--dessous pour l'identification de la machine en cas de perte ou de vol.

<b>SÉCURITÉ DE L'OPÉRATEUR .....</b>	<b>4</b>
<b>ASSEMBLAGE.....</b>	<b>10</b>
OUTILLAGE REQUIS POUR L'ASSEMBLAGE.....	10
CONTENU DE L'EMBALLAGE.....	10
SAC DE PIÈCES CONTENANT .....	10
DÉBALLAGE.....	11
MONTAGE DE LA POIGNEE SUPERIEURE ET DE LA MANIVELLE .....	12
VERIFICATION DES CÂBLES.....	12
RÉGLAGE DA LA LONGUEUR DES CÂBLES .....	12
MONTAGE DE LA SÉLECTEUR DE VITESSE .....	13
MONTAGE DE LA GOULOTTE .....	14
MONTAGE DU PHARE.....	14
<b>FONCTIONS ET COMMANDES .....</b>	<b>15</b>
<b>UTILISATION .....</b>	<b>17</b>
AVANT D'UTILISATION SOUFFLEUSE À NEIGE.....	17
UTILISATION DE LA SOUFFLEUSE À NEIGE.....	17
ARRÊTER LA SOUFFLEUSE À NEIGE .....	18
TRACTION GOUPILLE DE SÛRETÉ .....	18
CONTRÔLER LE NIVEAU D'HUILE (AVANT DE DÉMARRER LE MOTEUR) .....	18
REMPLIR LE RÉSERVOIR D'ESSENCE .....	19
DÉMARRER LE MOTEUR .....	19
ARRÊTER LE MOTEUR .....	20
DÉGAGER UNE GOULOTTE D'ÉJECTION OBSTRUÉE .....	21
CONSEILS D'UTILISATION.....	21
<b>ENTRETIEN .....</b>	<b>22</b>
CONSEILS D'ENTRETIEN .....	22
GRAISSAGE DE LA BOÎTE D'ENGRENAGE DE VIS SANS FIN .....	23
GRAISSAGE DE L'ARBRE DE VIS SANS FIN.....	23
LUBRIFIER LE PIGNON DE ROTATION DE GOULOTTE.....	23
ENTRETIEN DU MOTEUR.....	24
CHANGER LA BOUGIE D'ALLUMAGE .....	25
RÉGLAGE LA HAUTEUR DES PATINS .....	26
AJUSTEMENT DES COURROIES.....	27
AJUSTEMENT DU GUIDE DE COURROIE.....	28
CONTRÔLE ET RÉGLAGE DES CÂBLES .....	28
CHANGER LES GOUPILLES DE CISAILLEMENT DE VIS SANS FIN.....	30
CONTRÔLER LES PNEUS .....	30
<b>REMISAGE .....</b>	<b>31</b>
REMISAGE HORS SAISON.....	31
LUBRIFIER L'ARBRE HEXAGONAL ET CHAÎNES .....	31
SORTIR LA SOUFFLEUSE À NEIGE DU REMISAGE .....	31
<b>DÉPANNAGE .....</b>	<b>32</b>
<b>GARANTIES .....</b>	<b>34</b>
<b>CARACTÉRISTIQUES TECHNIQUES .....</b>	<b>37</b>

# SÉCURITÉ DE L'OPÉRATEUR

## DANGER - Risque d'amputation





Le conduit d'éjection contient un impulseur rotatif pour éjecter la neige. Ne débouchez ou ne dégagez jamais le conduit d'éjection avec vos mains. Les doigts peuvent facilement être pris piège et une amputation traumatique ou dilacération grave en résultera. Utilisez toujours un outil de nettoyage pour déboucher ou dégager le conduit d'éjection.


### DANGER


- Le contact des mains avec l'impulseur rotatif dans le conduit d'éjection est la cause la plus commune des blessures associés avec des souffleuses à neige.
- Cette souffleuse à neige peut amputer les mains et les pieds, en plus des objets. Lisez et observez toutes instructions de sécurité dans ce manuel. À défaut de le faire résultera à la mort ou blessure grave.

## Symbole d'alerte de sécurité et mots de signal

Le symbole d'alerte de sécurité  et mot de signalisation (DANGER, AVERTISSEMENT, ATTENTION ou AVIS) sont utilisés pour indiquer la probabilité ou le potentiel de la gravité de blessure corporelle et/ou dommage au produit. En plus, un symbole de danger peut être utilisé pour représenter un type de danger.

 **DANGER** indique un danger qui, si non évité, **résultera à la mort ou blessure grave.**

 **AVERTISSEMENT** indique un danger qui, si non évité, **peut résulter à la mort ou blessure grave.**

 **ATTENTION** indique un danger qui, si non évité, **peut résulter à une blessure mineure.**

**AVIS** indique une situation qui **peut résulter en dommage au produit**

### AVERTISSEMENT

Modèles des É.-U. : Certains composants et de ses accessoires liés dans ce produit contiennent des produits chimiques connus selon l'État de Californie de causer le cancer, des anomalies congénitales ou autre effet nuisible à la reproduction. Laver les mains après la manipulation.

Certification : Cet équipement est conforme aux exigences de la norme ANSI B71.3-2005 relative aux souffleuses à neige.

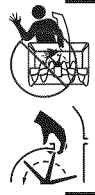
## Renseignements et symboles de danger



Alerte de sécurité – Identifie l'information de sécurité des dangers qui peuvent résulter en blessure corporelle.



Manuel d'utilisation – Lisez et comprenez avant toute activité concernant l'utilisation de la souffleuse à neige.



Impulseur rotatif



De prudence, soyez hors de la portée de la souffleuse à neige



Tarière rotative



Engrenages rotatifs



N'essayez pas de tendre le bras pour prendre les pièces rotatives



Objets projetés



Feu



Explosion



Choc



Vapeurs toxiques



Surface chaude



Protection des oreilles est recommandée pour longue durée d'utilisation



Arrêtez le moteur et enlevez le connecteur de la bougie d'allumage avant de faire du travail d'entretien ou de réparation.

### AVERTISSEMENT

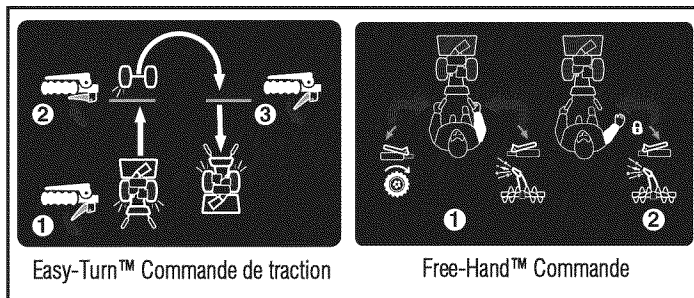
Modèles des É.-U. : L'échappement du moteur de cet appareil contient des produits chimiques connus selon l'État de la Californie de causer le cancer, des anomalies congénitales ou autre effet nuisible à la reproduction.

### AVERTISSEMENT

Modèles des É.-U. : Les bornes de batterie, les extrémités sorties. et les accessoires liés contiennent du plomb et des composants de plomb - produits chimiques connus de causer le cancer et des anomalies congénitales selon l'État de Californie. Laver les mains après la manipulation.

## Symboles de commande sur l'équipement

	Huile		Marche avant
	Carburant		Neutre
	Marche/Arrêt		Recule
	Volet de départ fermé		
	Volet de départ ouvert		
	Arrêt		Démarrage électrique - Embrayer (vers le bas) et débrayer (vers le haut)
	Lent		Moteur - en marche
	Vite		Moteur - arrêt
	Commande de traction - Embrayer (vers le bas)		Commande de tarière - Embrayer (vers le bas)
	Tarière d'embrayage		Déflecteur de conduit (haut et bas)
	Conduit d'éjection (gauche et droit)		Poignées chauffées (haut et bas)



## Lecture du manuel

<b>DANGER</b>	
	Lisez, comprenez, et suivez tous les instructions sur la souffleuse à neige et le manuel d'utilisation avant de faire fonctionner cet appareil. La faillite d'observer les instructions de sécurité dans ce manuel résultera à la mort ou blessure grave.
<ul style="list-style-type: none"> <li>• Soyez complètement familier avec les commandes et l'usage normal de la souffleuse à neige.</li> <li>• Assurez-vous que vous êtes bien entraîné avant de faire fonctionner la souffleuse à neige.</li> <li>• Sachez comment arrêter l'appareil et déclencher les commandes rapidement.</li> <li>• Ne laissez jamais une autre personne faire fonctionner la souffeuse à neige sans surveillance.</li> <li>• Suivez toujours les instructions dans le manuel d'utilisation, si la souffleuse à neige sera entreposée pour une période prolongée.</li> <li>• Veuillez maintenir ou remplacer les étiquettes de sécurité et d'instructions si nécessaire.</li> <li>• N'essayez jamais de faire des réparations majeures sur la souffleuse à neige à moins que vous êtes bien instruit. L'entretien inadéquat de la souffleuse à neige peut résulter à un fonctionnement dangereux, dommage à l'équipement et l'invalidation de la garantie du produit.</li> </ul>	



## Conduit d'éjecteur

<b>DANGER</b>	
	Le conduit d'éjection contient un impulseur rotatif pour éjecter la neige. Ne débouchez ou ne dégagez jamais le conduit d'éjection avec vos mains. Les doigts peuvent facilement être prises dans l'impulseur. Utilisez toujours un outil de nettoyage. La faillite d'observer ces instructions de sécurité résultera à une amputation traumatique ou dilacération grave.
<b>POUR DÉGAGER EN TOUTE SÉCURITÉ L'ÉJECTEUR BLOQUÉ</b>	
<b>DANGER :</b> Le contact des mains avec l'impulseur rotatif dans le conduit d'éjection est la cause la plus commune des blessures associés avec des souffleuses à neige. N'utilisez jamais vos mains pour nettoyer le conduit d'éjection.	
<b>SUIVEZ CES INSTRUCTIONS :</b>	
<ol style="list-style-type: none"> <li>1. Arrêtez le moteur.</li> <li>2. Attendre 10 secondes pour s'assurer que les lames de la turbine se sont arrêtées de tourner.</li> <li>3. Utilisez toujours un outil de nettoyage, non vos mains.</li> </ol>	



**REMARQUE :** Pas tous les symboles de commande montrés sur cette page apparaîtra sur votre souffleuse à neige. Veuillez voir la section des **CARACTÉRISTIQUES ET COMMANDES** pour les symboles applicables.

# SÉCURITÉ DE L'OPÉRATEUR

## Sécurité de l'équipement et de son fonctionnement

	 <b> DANGER</b>
<p>Cette souffleuse à neige est dépendant de l'opérateur pour sécurité. Si mal utilisée ou mal entretenue, ceci peut être dangereux. Souvenez-vous que vous êtes responsable pour votre sécurité et de ceux près de vous.</p>	
<ul style="list-style-type: none"><li>• Gardez hors de portée du fonctionnement toutes personnes, en particulier les petits enfant et les animaux domestiques.</li><li>• Inspectez complètement l'endroit où la souffleuse à neige sera utilisée et enlevez tous tapis d'accueils, les luges, les planches à neige, les cordons d'alimentation et autres corps étrangers.</li><li>• Ne faites pas fonctionner la souffleuse à neige sans porter des vêtements de neige convenables.</li><li>• Le port de chaussures améliorera la stabilité sur des surfaces glissantes.</li><li>• Soyez attentif pour éviter de glisser ou de tomber particulièrement lors du fonctionnement de la souffleuse à neige en marche arrière.</li><li>• Ne faites pas fonctionner la souffleuse à neige sans une bonne visibilité ou lumière. Toujours garder un bon équilibre et tenir fermement les poignées.</li><li>• Ne déblayez pas la neige de la surface des pentes. Soyez très prudent lors du changement de direction sur les pentes. Ne pas tenter de déblayer des pentes raides.</li><li>• Ne surchargez pas la capacité de la machine en essayant de déblayer la neige trop vite.</li><li>• Ne faites pas fonctionner la souffleuse à neige à une haute vitesse de transport sur des surfaces glissantes. Regardez derrière la souffleuse à neige et soyez prudent lors du fonctionnement en marche arrière.</li><li>• N'utilisez pas la souffleuse à neige sur des surfaces audessus du sol comme les toits des résidences, les garages, les vérandas ou toutes autres structures ou édifices.</li><li>• Les opérateurs doivent évaluer leur abilité de faire fonctionner la souffleuse à neige en toute sécurité suffisamment pour protéger eux-mêmes et les autres de blessures.</li><li>• La souffleuse à neige est conçue pour enlever la neige seulement. N'utilisez pas la souffleuse à neige pour toute autre raison.</li><li>• Ne transportez pas des passagers.</li><li>• Après avoir frappé un corps étranger, fermez le moteur à ARRÊT, déconnectez le cordon des moteurs électriques, inspectez complètement la souffleuse à neige pour aucun dommage, et réparez le dommage avant de recommencer et de faire fonctionner la souffleuse à neige.</li><li>• Si la souffleuse à neige secousse d'une manière anormale, fermez le moteur à ARRÊT. Toute vibration est généralement un avertissement de problème. Veuillez voir un concessionnaire agé pour de réparation nécessaire.</li><li>• Pour des modèles munis avec des moteurs de démarrage électrique, débranchez le cordon d'alimentation après la mise en marche du moteur.</li></ul>	

## Manutention de carburant

 <b> DANGER</b>	
<p>Le carburant et ses vapeurs sont extrêmement inflammables et explosifs. Veuillez bien prendre soin avec précaution du carburant.</p> <p>À défaut d'observer ces instructions de sécurité peut causer un feu ou explosion qui résultera à des brûlures graves ou la mort.</p>	
<b>LORS DE L'ADDITION DU CARBURANT</b>	
<ul style="list-style-type: none"><li>• Arrêtez le moteur et laissez refroidir pour au moins 2 minutes avant d'enlever le bouchon de réservoir pour ajouter le carburant.</li><li>• Remplissez le réservoir de carburant dehors ou dans un endroit bien ventilé.</li><li>• Ne remplissez pas trop le réservoir de carburant. Pour permettre l'expansion de l'essence, ne remplissez pas au-dessus le bas du cou du réservoir de carburant.</li><li>• Gardez le carburant loin des étincelles, des flammes nues, des lampes témoins, de chaleur et d'autres sources d'allumage.</li><li>• Vérifiez souvent les lignes de carburant, le bouchon et les accessoires pour fissures et fuites. Remplacez si nécessaire.</li><li>• Utilisez un réservoir de carburant approuvé.</li><li>• Si le carburant renverse, attendez jusqu'à ce qu'il soit vaporisé avant de mettre en marche le moteur.</li></ul>	
<b>MISE EN MARCHÉ DU MOTEUR</b>	
<ul style="list-style-type: none"><li>• Assurez-vous que la bougie d'allumage, le silencieux, le bouchon de carburant et filtre à air (si équipé) sont en place et bien fixés.</li><li>• Lorsque la bougie d'allumage est enlevée, ne mettez pas en marche le moteur.</li><li>• Si le carburant est renversé, n'essayez pas de mettre en marche le moteur mais, déménagez la souffleuse à neige loin de la section de dégât et évitez de toute source d'ignition jusqu'à ce que les vapeurs de carburant s'évapore.</li><li>• N'amorcez pas trop le moteur. Suivez les instructions dans ce manuel pour mettre le moteur en marche.</li><li>• Si le moteur est noyé, veuillez régler le volet de départ (si équipé) à la position OUVERT/MARCHE, déménager l'accélérateur (si équipé) à la position VITE et mettre en marche le moteur.</li></ul>	
<b>LORS DU FONCTIONNEMENT D'ÉQUIPEMENT</b>	
<ul style="list-style-type: none"><li>• N'inclinez pas la souffleuse à neige à un angle qui cause le carburant de renverser.</li><li>• N'étouffez pas le carburateur pour arrêter le moteur.</li><li>• Si l'assemblage d'épurateur (si équipé) ou le filtre à air est enlevé, ne faites pas fonctionner le moteur.</li></ul>	
<b>LORS DU CHANGEMENT D'HUILE</b>	
<ul style="list-style-type: none"><li>• Si vous écoutez l'huile du dessus du tube d'huile de remplissage, le réservoir de carburant doit être vide ou le carburant peut s'écouler et peut résulter en feu ou explosion.</li></ul>	
<b>LORS DE LA TRANSPORTATION D'ÉQUIPEMENT</b>	
<ul style="list-style-type: none"><li>• Transportez lorsque le réservoir est VIDE, ou lorsque la soupape d'arrêt est FERMÉE.</li></ul>	
<b>LORS DE L'ENTREPOSAGE D'ESSENCE OU D'ÉQUIPEMENT AVEC LE CARBURANT DANS LE RÉSERVOIR</b>	
<ul style="list-style-type: none"><li>• Entrez l'essence loin des fournaies, des poêles, des chauffe-eaux ou autres appareils qui ont une flamme d'allumage ou autre source d'allumage qui peut allumer les vapeurs de carburant.</li></ul>	



## Pièces amovibles

	<p align="center"><b>⚠ DANGER</b></p> <p>Gardez les mains, les pieds et les vêtements loin des pièces rotatives. Les pièces rotatives peuvent contacter ou enchevêtrer les mains, les pieds, les cheveux, les vêtements ou accessoires. À défaut d'observer ces instructions de sécurité résultera à une amputation traumatique ou dilacération grave.</p>
<ul style="list-style-type: none"> <li>• Lors du nettoyage, de la réparation ou de l'inspection de la souffleuse à neige, assurez-vous que le moteur est à la position ARRÊT, que la bougie d'allumage est débranchée et que toutes pièces amovibles sont arrêtées.</li> <li>• Ne placez pas les mains ou les pieds près ou sous les pièces amovibles. Soyez loin de l'ouverture de la conduite en tout temps.</li> <li>• Ne faites pas fonctionner la souffleuse à neige sans de protection approuvés et autres dispositifs de sécurité en place lors du fonctionnement.</li> <li>• Ne laissez jamais votre souffleuse à neige sans surveillance lorsque le moteur est en marche. Toujours débrayer les commandes de tarière et de traction, arrêter le moteur et retirer les clés.</li> <li>• Assurez-vous que vos vêtements lâches ne sont pas à la portée du devant de la souffleuse à neige et de la tarière. Les foulards, les mitaines, les cordons pendantes, les vêtements lâches et pantalons peuvent rapidement être prises dans le dispositif rotatif et une amputation en résultera. Attachez les cheveux longs et enlevez les bijoux.</li> <li>• Faites marcher la machine pour quelques minutes après le déchargement de la neige pour empêcher l'engel du collecteur/impulseur.</li> <li>• Débrayez la puissance au collecteur/impulseur lorsque la souffleuse à neige est transportée ou n'est pas utilisée.</li> </ul>	

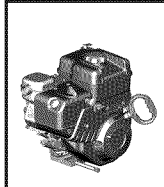
## Objets projetés

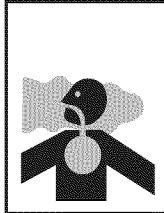
	<p align="center"><b>⚠ DANGER</b></p> <p>Les objets peuvent être ramassés par la tarière et projetés du conduit. Ne déchargez pas la neige vers les spectateurs ou permettre quelqu'un devant la souffleuse à neige. À défaut d'observer ces instructions de sécurité dans ce manuel résultera à la mort ou blessure grave.</p>
<ul style="list-style-type: none"> <li>• Portez toujours des lunettes de sécurité ou un écran protecteur pendant le fonctionnement et lors d'un ajustement ou réparation.</li> <li>• Soyez attentif de la direction d'où la neige est éjectée. Les piétons tous près, les animaux domestiques ou les propriétés peuvent être endommagés par la projection des objets.</li> <li>• Soyez attentif de votre environnement pendant le fonctionnement de la souffleuse à neige. Si vous passer par dessus des objets comme le gravier, les tapis d'accueil, les jouets et les pierres cachées sous la neige, tous peuvent être projetés du conduit ou bloqués dans la tarière.</li> <li>• Soyez très prudent lors du fonctionnement sur ou traversant les voies d'accès, les trottoirs ou les routes de gravel.</li> <li>• Ajustez la hauteur du boîtier de collection pour dégager le gravel ou toutes autres matières rocheuses.</li> <li>• Ne faites pas fonctionner la souffleuse à neige près des enclos en verre, des voitures, des puits de fenêtre et des descentes sans le propre ajustement de l'angle du conduit d'éjection.</li> <li>• Familiarisez-vous avec l'endroit d'où vous planifiez de faire fonctionner la souffleuse à neige. Marquez les bornes des voies d'accès et des trottoirs.</li> </ul>	

## Enfants

	<p align="center"><b>⚠ DANGER</b></p> <p>Les accidents tragiques peuvent arrivés si l'opérateur n'est pas attentif à la présence des enfants. Les enfants sont souvent attirés par la machine et le soufflage de neige. Ne jamais supposer que les enfants resteront là où ils ont été vus pour la dernière fois.</p>
<ul style="list-style-type: none"> <li>• Gardez les enfants hors de portée pendant le fonctionnement. Les enfants sont souvent attirés à l'équipement. Soyez attentif des personnes présentes.</li> <li>• Soyez alerte et fermez l'appareil si il y a des enfants tout près.</li> <li>• Ne laissez jamais les enfant faire fonctionner l'appareil.</li> <li>• Prenez bien soin lorsque vous approchez des coins sans visibilité, les arbustes, les arbres ou les autres objets qui vous cachent la vue. Les enfants peuvent être présents.</li> </ul>	


## Sécurité du moteur

	<p align="center"><b>⚠ DANGER</b></p> <p>Le fonctionnement sans danger de la souffleuse à neige demande un soin et entretien vigilant. À défaut d'observer les instructions de sécurité dans ce manuel résultera à la mort ou blessure grave.</p>
<ul style="list-style-type: none"> <li>• Débrayez tous les volets de départ et changez de vitesse au neutre avant de faire fonctionner le moteur.</li> <li>• Laissez le moteur s'ajuster à la température extérieure avant de commencer de déblayer la neige.</li> <li>• Utilisez une fiche trifilaire mis à la terre pour toutes souffleuses à neige muni d'un moteur d'entraînement électrique ou d'un moteur de démarrage électrique.</li> </ul>	

	<p align="center"><b>⚠ DANGER</b></p> <p>Les moteurs dégages du monoxyde de carbone, un gaz toxique sans odeur et sans couleur. Le fait de respirer le monoxyde de carbone peut causer des nausées, des évanouissements ou la mort.</p>
<ul style="list-style-type: none"> <li>• Veuillez faire fonctionner le moteur dehors.</li> <li>• Ne faites pas fonctionner le moteur dans un endroit enfermé, même si les portes ou les fenêtres sont ouvertes.</li> </ul>	

# SÉCURITÉ DE L'OPÉRATEUR

## Sécurité du moteur (à suivre)

	<p><b>⚠ AVERTISSEMENT</b></p> <p>La mise en marche du moteur crée une gerbe d'étincelles. L'étincelle peut mettre le feu au gaz inflammable tout près. Explosion et feu peu en résulter.</p>
<ul style="list-style-type: none"><li>• Si il y a une fuite de pétrole liquéfié PL dans l'endroit où vous êtes, n'essayez pas de faire fonctionner le moteur.</li><li>• N'utilisez pas des fluides sous pression à cause que les vapeurs sont inflammables.</li></ul>	

	<p><b>⚠ AVERTISSEMENT</b></p> <p>La mise en marche du moteur produit de la chaleur. Les pièces du moteur, en particulier le silencieux, deviennent extrêmement chaud. À défaut d'observer ces instructions de sécurité peut résulter à des brûlures thermiques graves au contact.</p>
<ul style="list-style-type: none"><li>• Ne touchez jamais un moteur ou un silencieux chaud. Laissez le silencieux, le cylindre de moteur et les ailettes refroidir avant de toucher.</li><li>• Enlevez tous débris de la section du silencieux et de la section du cylindre.</li><li>• Veuillez installer et entretenir en bon état le pare-étincelles avant d'utiliser l'équipement sur une terre brute de couverture de forêt, de gazon ou de brousse.</li><li>• <b>Modèles É.-U.</b> : C'est une violation du code section 4442 de la ressource public de la Californie d'utiliser ou de faire fonctionner un moteur sur ou près d'une terre brute de couverture de forêt de gazon ou de brousse à moins que le système d'échappement est muni d'un pare-étincelles qui conforme à la loi locale ou de l'État. D'autres provinces ou zones fédérales peuvent avoir des lois similaires.</li></ul>	

## Entretien et entreposage

	<p><b>⚠ AVERTISSEMENT</b></p> <p>Cette souffleuse à neige doit être proprement entretenue pour assurer un fonctionnement et une performance en toute sécurité. À défaut d'observer les instructions de sécurité dans ce manuel peut résulter à la mort ou une blessure grave.</p>
<ul style="list-style-type: none"><li>• Lors de l'entretien ou de la réparation de la souffleuse à neige, arrêtez le moteur, déconnectez le fil de bougie et gardez le fil loin de la prise afin d'empêcher quelqu'un de mettre en marche le moteur accidentellement.</li><li>• Vérifiez les boulons d'obturateur et autre quincailleries à plusieurs reprises pour scellage afin que la souffleuse à neige fonctionne dans des conditions sûr.</li><li>• Gardez les écrous et les boulons serrés et gardez la souffleuse à neige en bon état.</li><li>• Ne touchez pas les dispositifs de sécurité. Vérifier régulièrement leur bon fonctionnement et réparer le cas échéant.</li><li>• Les composants sont sujets à s'user, s'endommager et à se détériorer. Vérifiez fréquemment les composants et remplacez les pièces recommandés au besoin.</li><li>• Vérifiez la commande de fonctionnement fréquemment. Ajuster et réparer le cas échéant.</li><li>• Utilisez seulement des pièces de remplacement approuvées lorsque vous faites des réparations.</li><li>• Conformez toujours avec les spécifications du fabricant sur tous les réglages et ajustements.</li><li>• Seulement les concessionnaires agréés de service doivent être employés pour des services majeures et des réparations nécessaires.</li><li>• Utilisez seulement des accessoires approuvés par le fabricant (telles que les masses pour roues et les masses d'équilibrage).</li><li>• N'essayez jamais de faire des ajustements pendant que le moteur est en marche (à l'exception de la recommandation spécifique du fabricant).</li><li>• Ne laissez jamais la graisse ou l'huile de contacter la roue de friction en caoutchouc ou le disque d'entraînement. Si le disque d'entraînement ou la roue de friction viennent en contact avec la graisse ou l'huile, un dommage à la roue de friction en caoutchouc résultera.</li></ul>	

**!** Ce symbole signale des consignes de sécurité importantes. Il signifie : « Attention ! Prenez garde ! Votre sécurité est menacée. »

**!** AVERTISSEMENT : Si des étiquettes de sécurité sont usées ou endommagées et ne sont plus lisibles, commander des étiquettes de rechange auprès du concessionnaire local.

Avant d'utiliser la souffleuse à neige, lire les étiquettes de sécurité apposées sur la souffleuse à neige. Les avertissements et mises en garde visent à protéger l'utilisateur. Pour écarter les risques de blessure corporelle ou de dommage de la souffleuse à neige, comprendre et respecter toutes les étiquettes de sécurité.

6 5 4 3 2 1 ← R1 R2

1737872

Réf. 1737872  
Étiquette Vitesses

Réf. 1737869  
Étiquette de la commande de tarière



Réf. 1737870  
Étiquette de la commande de traction



Étiquettes du moteur

WARNING	AVERTISSEMENT
Read and follow Operating Instructions before running engine. Gasoline is flammable. Allow engine to cool at least 2 minutes before refueling. Engines emit carbon monoxide. DO NOT run in enclosed area. Muffler area temperature may exceed 150°F. Do not touch hot parts.	Lire et suivre le mode d'emploi avant de faire tourner le moteur. L'essence est inflammable. Laissez refroidir le moteur pendant au moins 2 minutes avant de faire le plein. Les moteurs émettent du monoxyde de carbone. NE PAS faire tourner le moteur dans des espaces clos. Autour du silencieux, la température peut dépasser 150° F. Ne pas toucher des pièces chaudes.

Réf. 278297

**IMPORTANT ENGINE INFORMATION**  
BRIGGS & STRATTON CORPORATION  
FAMILY XXXXX.XXXXXX XXXXXX  
THIS ENGINE MEETS 2009 CA EXHAUST AND EPA PHASE 2 EMISSION REGULATIONS FOR SMALL OFF-ROAD ENGINES. REFER TO OWNER'S MANUAL FOR MAINTENANCE SPECIFICATIONS, ADJUSTMENTS, AND EMISSIONS DURABILITY INFORMATION.  
EPA EMISSIONS COMPLIANCE PERIOD: CATEGORY: X  
CA COMPLIANCE PERIOD: X  
B16P: XXXcc e11977855A1XXXXXXXXXXXX

Réf. 277953

Numéro d'identification du produit et étiquette du numéro de série (Arrière du carter du moteur)

! DANGER	
<b>Amputation Hazard</b> <ul style="list-style-type: none"> <li>Contact with auger will cause serious injury.</li> <li>Keep hands, feet and clothing away.</li> <li>Keep bystanders away.</li> </ul>	
<b>Thrown Objects Hazard</b> <ul style="list-style-type: none"> <li>Never direct discharge chute towards persons or property.</li> </ul>	
<b>Read the operator's manual for operating and safety instructions.</b>	
<b>Shut off engine and remove key before performing maintenance or repair work.</b>	
<b>Risque d'amputation</b> <ul style="list-style-type: none"> <li>Tout contact avec la tarière provoquera de graves blessures.</li> <li>Tenez vos pieds, vos mains et vêtements à distance.</li> <li>Tenez les spectateurs à distance.</li> </ul>	
<b>Danger objets projetés</b> <ul style="list-style-type: none"> <li>Ne jamais diriger la chute en direction des personnes ou biens matériels.</li> </ul>	
<b>Lirez les consignes de sécurité et d'utilisation dans le manuel d'utilisation.</b>	
<b>Arrêtez le moteur et retirez la clé avant d'effectuer tout entretien ou toute réparation.</b>	

Réf. 1737866  
Auger Étiquette Danger vis sans fin

**! DANGER**  
**Amputation hazard**  
Contact with moving parts inside chute will cause serious injury.  

- Shut off engine before unclogging discharge chute.
- Use clean-out tool, not hands!

**Risque d'amputation**  
 Tout contact avec des pièces en mouvement à l'intérieur de la goulotte provoquera de graves blessures.  

- Arrêter le moteur avant de dégager la goulotte d'éjection.
- Utiliser l'outil de dégagement, pas les mains!

Réf. 1737865  
Étiquette Danger goulotte

# ASSEMBLAGE

## OUTILLAGE REQUIS POUR L'ASSEMBLAGE

- 1 – Couteau
- 2 – Clés de 1/2 pouce (ou clés à molette)
- 2 – Clés de 9/16 pouce (ou clés à molette)
- 2 – Clés de 3/4 pouce (ou clés à molette)
- 1 – Clé de 3/8 pouce (ou clé à molette)
- 1 – Pince ou tournevis

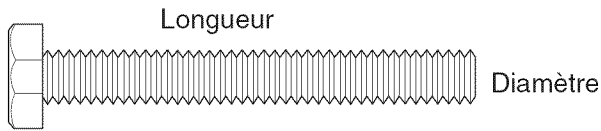
## CONTENU DE L'EMBALLAGE

- 1 – Souffleuse à neige
- 1 – Récipient de stabilisateur de carburant (dans le sac de pièces)
- 1 – Goulotte d'éjection
- 1 – Manivelle
- 1 – Sac de pièces

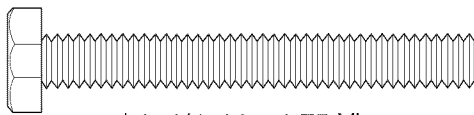


**AVERTISSEMENT : Toujours porter des lunettes de sécurité ou autre protection oculaire pour assembler la souffleuse à neige.**

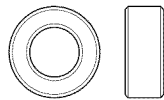
### COMMENT MESURER LES VIS



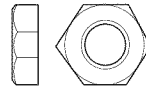
## SAC DE PIÈCES CONTENANT



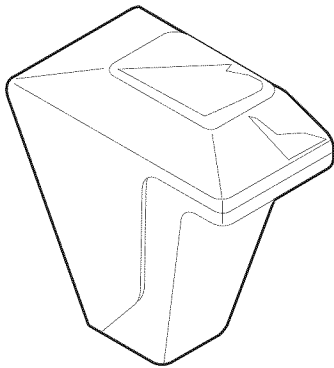
\* 2-1/4-20 x 1.75 Vis



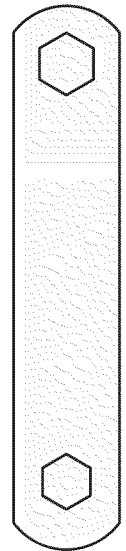
\* 2-Entretoise



\* 2-1/4-20  
Écrou



1 – Pommeau



\* 2 – Clés

\*Les pièces qui ne sont pas de montage et le cordon d'alimentation se trouvent dans le sac à pièces livré avec la souffleuse à neige. Les pièces peuvent être gardés dans la boîte à outils qui se trouve au dessus du couvre-courroie..

REMARQUE : Le côté droit ou gauche de la souffleuse à neige est indiqué par rapport à la position de l'utilisateur tenant la poignée.

## DEBALLAGE

1. À l'aide d'un couteau, coupez en suivant les pointillés autour du haut et du fond du carton. Puis retirez le carton selon l'illustration Figure 2.
2. Repérez et retirez le sac de pièces détachées.
3. Retirez les goupilles de cisaillement, les boulons et les entretoises du sac de pièces détachées et rangez-les dans la boîte de stockage des boulons de cisaillement.

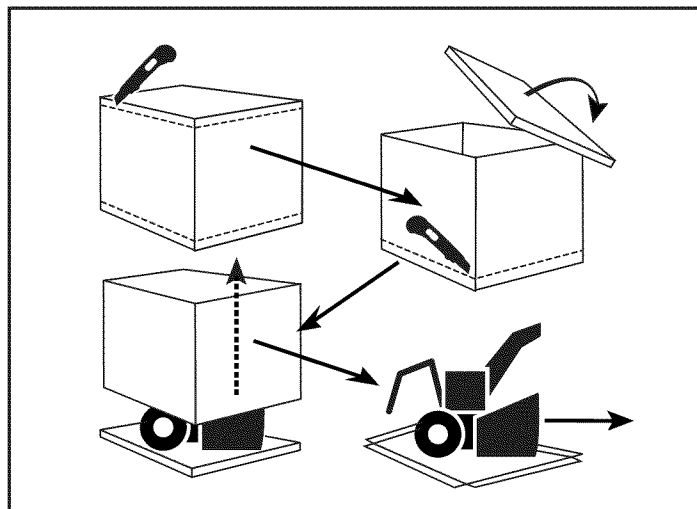
REMARQUE : Mettez de côté le stabilisateur de carburant en attendant d'ajouter de l'essence dans le réservoir. Nous recommandons que le stabilisateur de carburant soit ajouté au carburant à chaque fois que le réservoir est rempli.

4. Dégagez la souffleuse à neige du carton en la tirant par la poignée inférieure pour la faire rouler.

ATTENTION : NE PAS reculer sur les câbles.

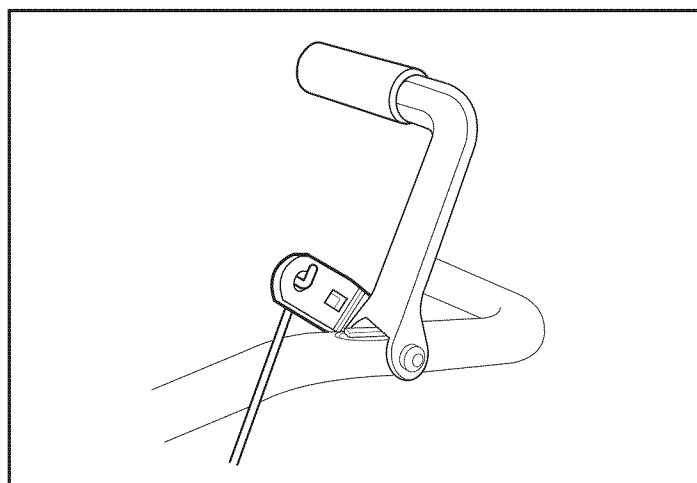
5. Retirez le matériel d'emballage de l'assemblage de poignée.
6. Coupez les attaches retenant les câbles de commande d'embrayage à la poignée inférieure.

REMARQUE : Si les câbles se sont débranchés des leviers d'embrayage, remontez les câbles comme illustré Figure 3.



Souffleuse à neige dans sa position d'expédition

Figure 2



Câbles de commande d'embrayage

Figure 3

## ASSEMBLAGE

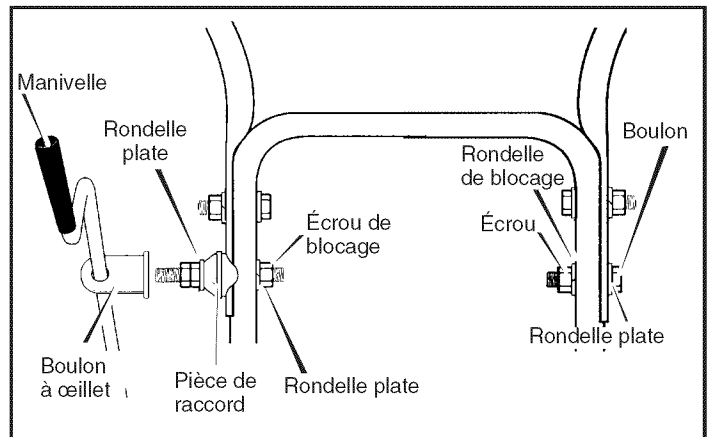
### MONTAGE DE LA POIGNEE SUPERIEURE ET DE LA MANIVELLE

1. Desserrer les vis, les rondelles plates, les rondelles de blocage et les écrous hexagonaux des orifices du haut de la poignée inférieure, sans les retirer (voir Figure 4).
2. Retirer toutes les fixations et le boulon à œillet de la manivelle des trous inférieurs de la poignée inférieure.
3. Soulever la poignée supérieure et la mettre en position de fonctionnement. La poignée supérieure devrait être à l'extérieur de la poignée inférieure.

**REMARQUE:** S'assurer que les câbles ne se prennent pas entre la poignée inférieure et la poignée supérieure.

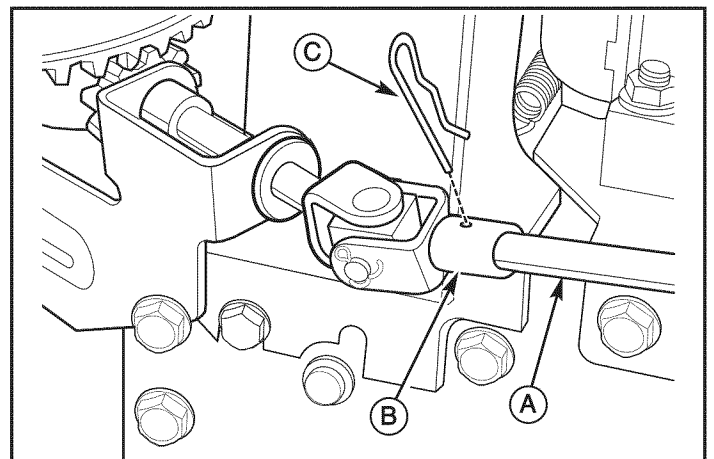
4. Remonter les fixations et le boulon à œillet de la manivelle démontés à l'étape 2. Ne visser qu'une fois toutes les fixations en place.
5. Attacher la tige de la manivelle (A, Figure 5) à l'ensemble du joint universel (B) avec la goupille en épingle à cheveux (C).
6. Serrer l'écrou sur le boulon à œillet. S'assurer que le boulon à œillet est correctement aligné et que la manivelle peut tourner librement (voir Figure 4).
7. Visser tous les boulons de la poignée.

**REMARQUE:** S'assurer que la manivelle ne touche par le couvercle du carburateur.



Montage de la poignée supérieure

Figure 4



Montage de la manivelle

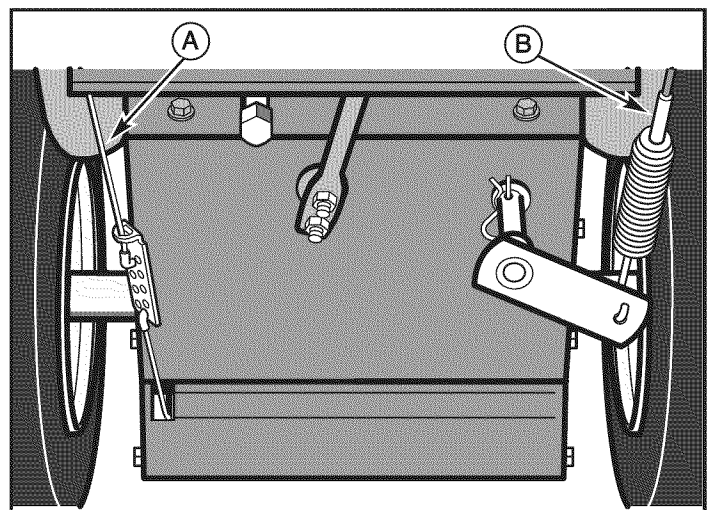
Figure 5

### VERIFICATION DES CÂBLES

1. Si les câbles de commande sont détachés du cadre du moteur, les rattachier comme indiqué Figure 6.
2. Pour tout réglage éventuel, voir "Vérification et réglage des câbles" dans la section ENTRETIEN.

### RÉGLAGE DE LA LONGUEUR DES CÂBLES

Les câbles d'entraînement de traction et d'entraînement de la tarière (A et B, Figure 6) ont été réglés en usine et aucun réglage de devrait être nécessaire. Cependant, lors de la mise des poignées en position de fonctionnement, les câbles peuvent être trop tendus ou trop lâches. Dans le cas où un réglage s'avère nécessaire, consulter la rubrique "Vérification et réglage des câbles" dans la section ENTRETIEN.



Vérifier les câbles

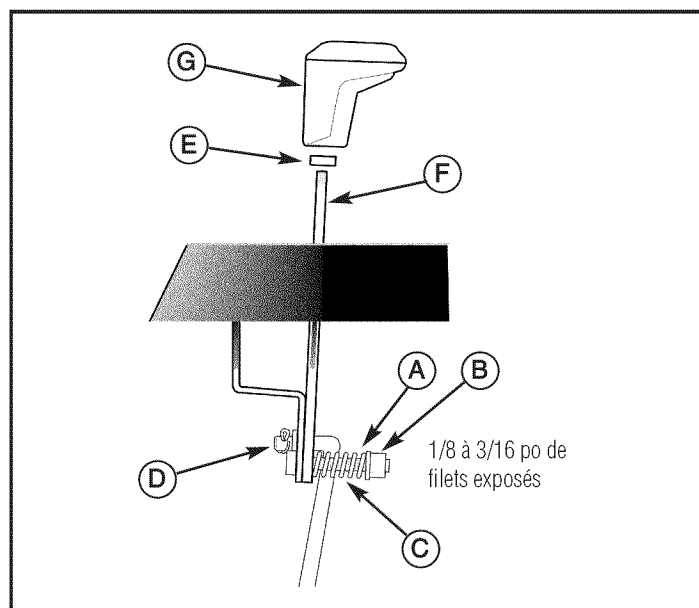
Figure 6

## MONTAGE DE LA SÉLECTEUR DE VITESSE

1. Couper l'attache en plastique (A, Figure 7) maintenant le sélecteur de vitesse (B) au support du sélecteur (C).
2. Déposer l'écrou de blocage (A, Figure 8), la rondelle (B), le ressort (C) et le boulon (D).
3. Placer le sélecteur de vitesse comme illustré en Figure 9.

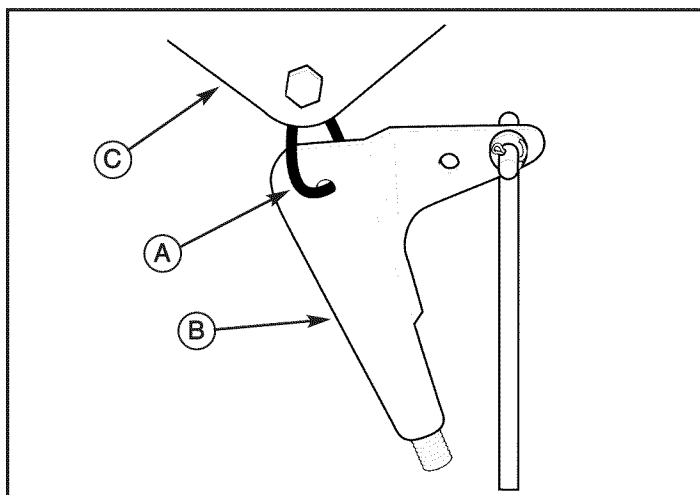
**REMARQUE: Vue de l'intérieur de l'unité lorsque l'utilisateur est en position pour faire fonctionner le chasse-neige**

4. Reposer le boulon (D, Figure 8), le ressort (C), la rondelle (B) et l'écrou de blocage (A).
5. Serrer l'écrou de blocage jusqu'à ce que 1/8 à 3/16 po du boulon dépasse de l'écrou de blocage.
6. Visser le contre-écrou hexagonal 3/8-16 (E) po sur le levier (F) jusqu'à ce que l'écrou atteigne la fin du filetage.
7. Visser le pommeau en plastique (G) le plus possible et s'assurer que le pommeau est dirigé vers l'avant.
8. Serrer fermement l'écrou de 3/8-16 po contre le pommeau.
9. Déplacer le sélecteur à toutes les vitesses pour s'assurer de la bonne tension du ressort. Si le sélecteur se coince dans les encoches, desserrer l'écrou de blocage de 1/2 tour jusqu'à ce que le sélecteur se déplace plus librement.



Poignée du sélecteur de vitesses

Figure 8



Levier de changement de vitesse et support

Figure 7

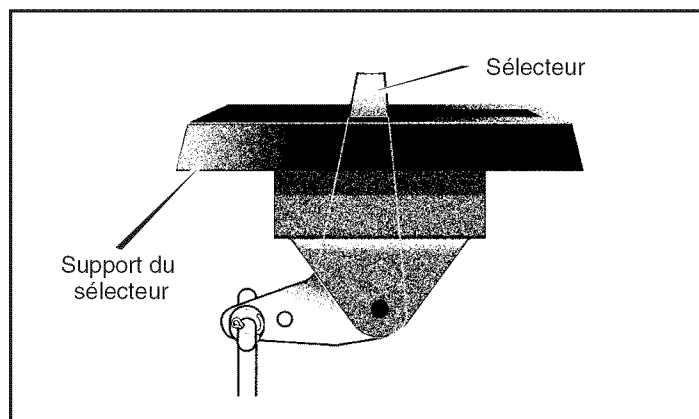


Tableau de commande et support du sélecteur de vitesses

Figure 9

## ASSEMBLAGE

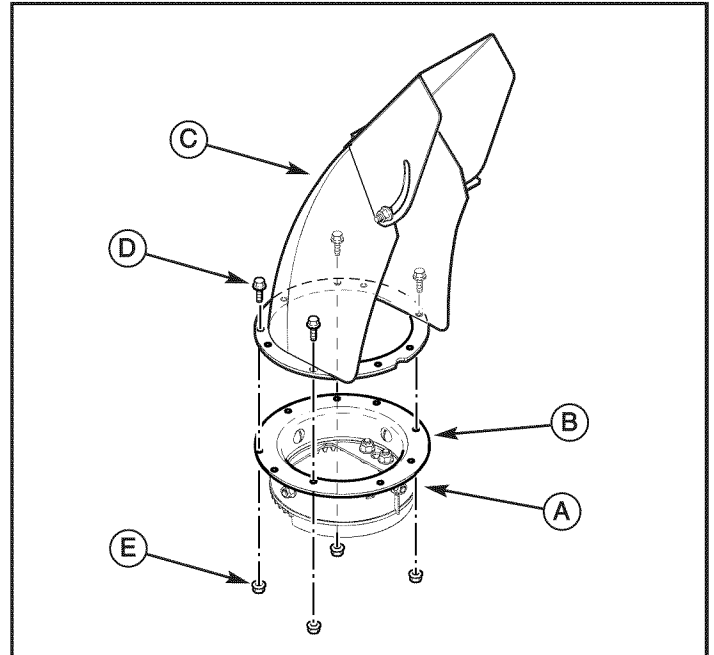
### MONTAGE DE LA GOULOTTE

REMARQUE : L'ensemble de l'anneau de la chute (A) est installé sur l'appareil à l'usine (Figure 10).

1. Tourner la manivelle (Figure 4) jusqu'à ce que la flèche de la bague extérieure (B, Figure 10) de l'anneau de la chute pointe vers l'avant.

REMARQUE : S'assurer que la fente dans l'anneau de la chute soit alignée avec la flèche sur l'anneau extérieur, comme illustré.

2. Monter le déflecteur de la chute (C) en passant les vis (D) et les écrous (E) dans les trous comme illustré. L'installation est adéquate lorsque le déflecteur de chute pointe vers l'avant.
3. Serrer les vis fermement, en faisant attention à ne pas trop les serrer.



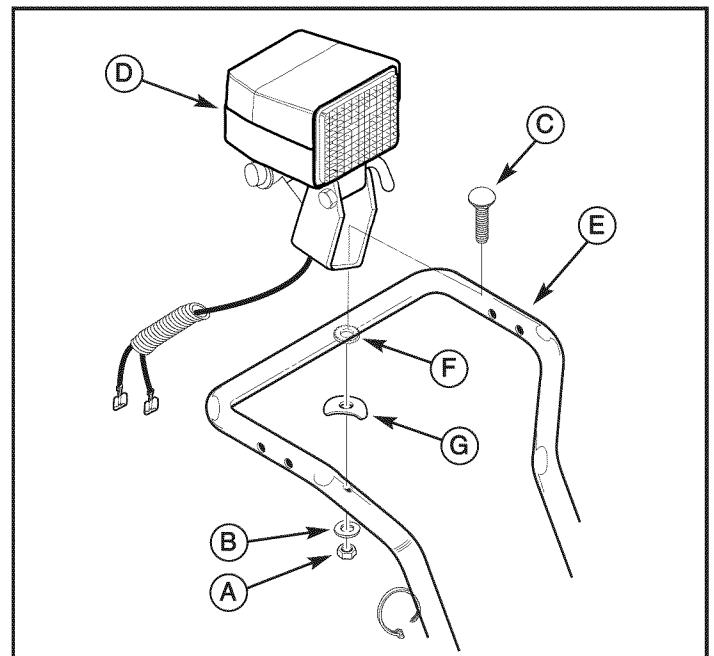
Montage de la goulotte

Figure 10

### MONTAGE DU PHARE

Le phare est monté du côté droit de la partie supérieure du guidon. Il est posé à l'envers pour les besoins de l'expédition.

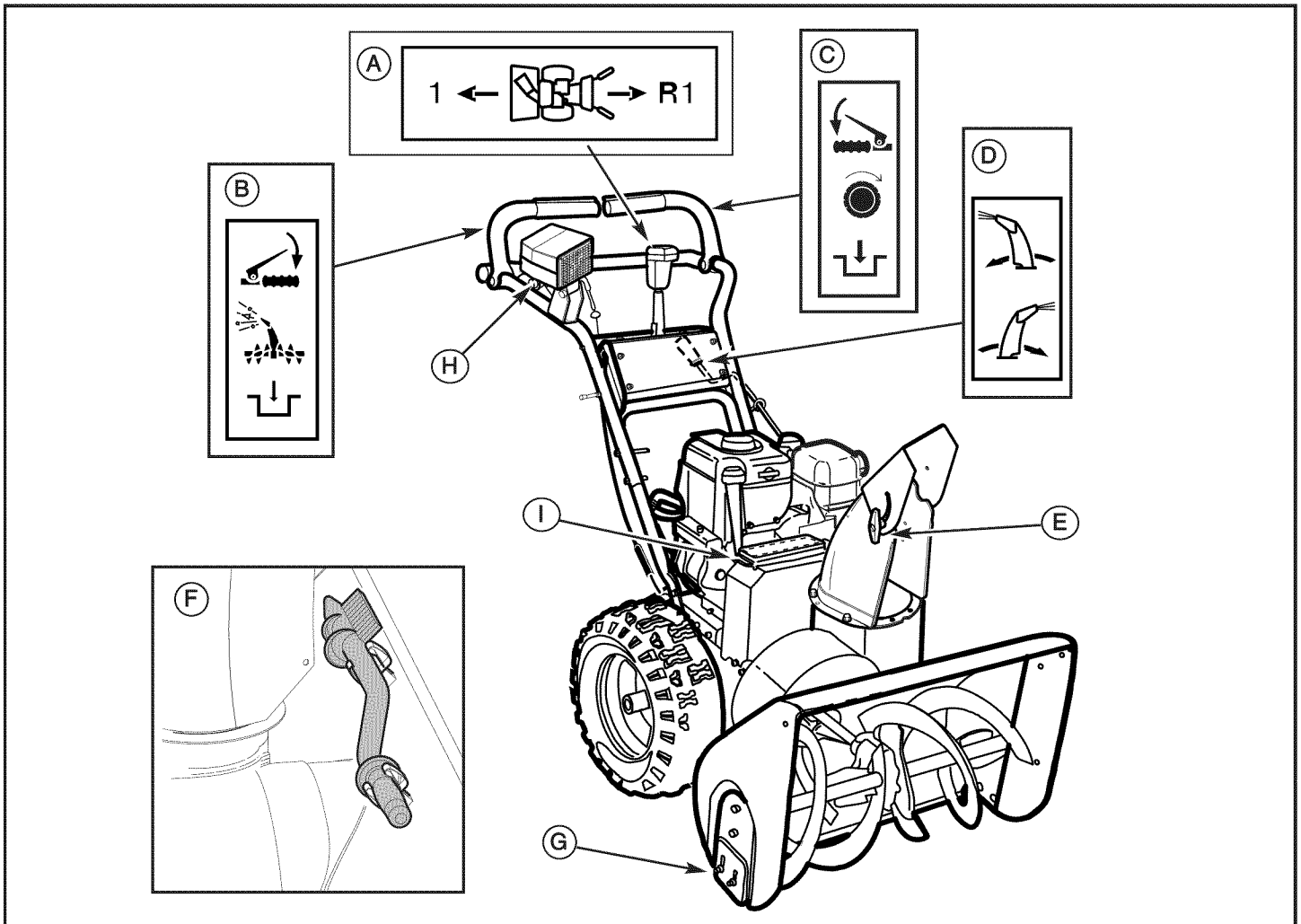
1. Retirer l'écrou (A, Figure 11) et la rondelle de blocage (B) du boulon à tête ronde (C).
2. Relever le phare (D) à la partie supérieure du guidon (E). S'assurer que la rondelle (F) éventail et la rondelle (G) cintrée sont bien placées comme illustré en Figure 11.
3. Poser l'écrou et la rondelle de blocage pour fixer le phare au guidon. Le phare doit être dirigé vers l'avant du chasse-neige.



Montage du phare

Figure 11





Commandes de la souffleuse à neige

Figure 12

### COMMANDES DE LA SOUFFLEUSE À NEIGE

**A. Levier du sélecteur de vitesse** — Permet de choisir un rapport de vitesse parmi les six (6) en marche avant et deux (2) en marche arrière (voir Figure 12). Pour changer de vitesse, amener le levier du sélecteur de vitesse jusqu'à la position souhaitée.

**REMARQUE : Ne pas déplacer le levier de vitesse alors que l'embrayage de traction est engagé. Ceci peut gravement endommager le système d'entraînement.**

**B. Levier d'embrayage de vis sans fin** — Sert à engager et débrayer la vis sans fin et la turbine. Serrer vers le bas pour engager, relâcher pour débrayer.

**C. Levier d'embrayage de traction** — Sert à faire avancer la souffleuse à neige en marche avant ou arrière. Serrer vers le bas pour engager, relâcher pour débrayer.

**D. Manivelle de rotation de goulotte** — Sert à faire pivoter la goulotte d'éjection vers la gauche ou vers la droite.

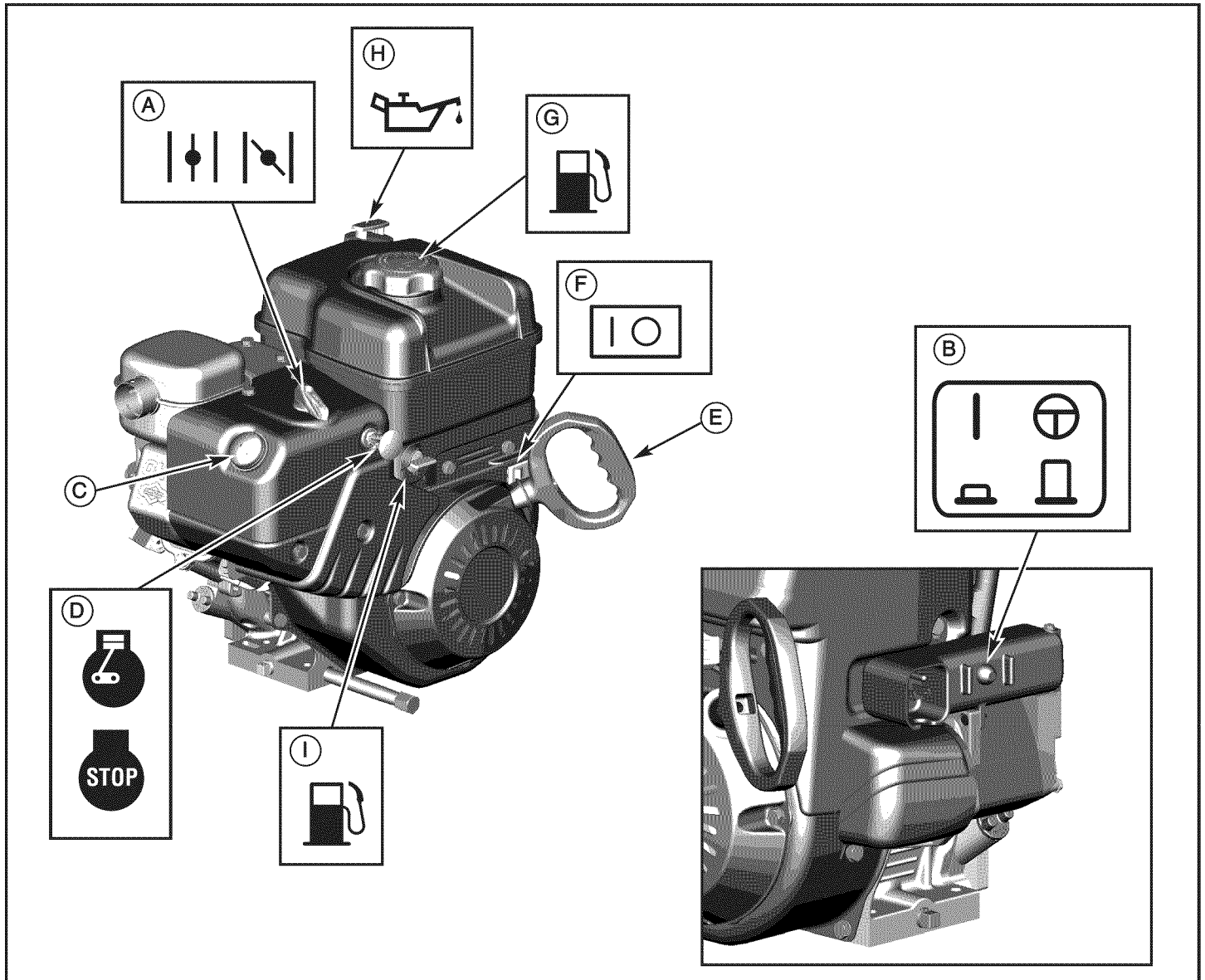
**E. Écrou à oreilles de commande de déflecteur** — Sert à contrôler l'angle du déflecteur de goulotte (vers le haut ou le bas).

**F. Outil de nettoyage** — Sert à enlever la neige et les débris de la goulotte d'éjection et du carter de la tarière.

**G. Plaque d'usure** — Utiliser pour ajuster le garde au sol du boîtier de tarière.

**H. Phares** — Utiliser pour faire fonctionner la souffleuse à neige dans des conditions de faible visibilité.

**I. Boîte à outils** — Vous y trouverez des goupilles, boulon de cisaillement et de cisaillement et des entretoises.



Commandes de moteur

Figure 13

## COMMANDES DU MOTEUR

- A. Bouton de commande du volet de départ** — Utiliser pour faire fonctionner le moteur (voir Figure 13).
- B. Bouton de démarrage électrique** — Utiliser pour la mise en marche du moteur en utilisant le démarreur électrique.
- C. Bouton d'amorceur** — Utiliser pour injecter l'essence dans le manifold du carburateur pour assurer un départ rapide dans des températures froides.
- D. Clé de sécurité** — Doit être insérée pour faire fonctionner le moteur. Retirez pour arrêter. Ne tournez pas la clé de sécurité.
- E. Cordon de démarreur** — Utiliser pour mettre en marche le moteur manuellement.
- F. Interrupteur MARCHÉ/ARRÊT** — Utiliser pour mettre en marche et arrêter le moteur.
- G. Réservoir de carburant et bouchon** — Remplissez le réservoir à peu près 38 mm (1-1/2 po) dessous le haut du cou pour permettre l'expansion du carburant.
- H. Bouchon d'huile de remplissage (jauge d'huile allongé)**

## AVANT D'UTILISATION SOUFFLEUSE À NEIGE

- Contrôler la visserie. Vérifier que toute la visserie est bien serrée.
- Lire le **MANUEL D'INSTRUCTIONS** et les **SÉCURITÉ DE L'OPÉRATEUR** avant d'utiliser la **SOUFFLEUSE À NEIGE**. Comparer les illustrations avec la souffeuse à neige pour se familiariser avec l'emplacement de ses commandes et réglages. Conserver ce manuel pour toute consultation ultérieure.

**REMARQUE :** Cette souffeuse à neige est livrée **AVEC DE L'HUILE** dans le moteur. Voir les instructions « Avant de démarrer le moteur » dans la section **UTILISATION** de ce manuel avant de démarrer le moteur.



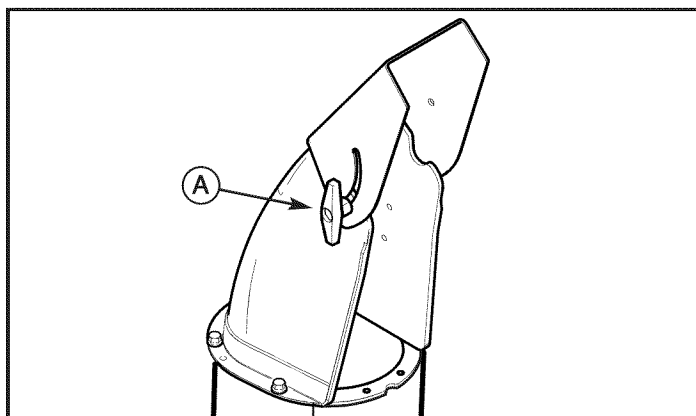
**AVERTISSEMENT:** L'utilisation de toute souffeuse à neige peut provoquer la projection d'objets dans les yeux et causer de graves lésions oculaires. Toujours porter des lunettes de sécurité ou autre protection oculaire avant d'utiliser la souffeuse à neige. Nous conseillons le port de lunettes de sécurité standard ou d'un masque de sécurité Wide Vision par-dessus des lunettes correctrices.

## UTILISATION DE LA SOUFFLEUSE À NEIGE

L'utilisation la plus efficace du chasse-neige sera déterminée par l'expérience, en tenant compte de la nature du terrain, du vent et de la position des bâtiments, en particulier pour déterminer la direction d'éjection de la neige.

**REMARQUE: Ne pas projeter la neige vers un bâtiment car des corps étrangers pourraient être pris par la vis sans fin et éjectés violemment.**

1. Démarrer le moteur. Voir « Démarrer le moteur » dans cette section.
2. Tourner la manivelle (A, Figure 12) pour régler l'orientation (de gauche à droite) de la goulotte d'éjection.
3. Régler le déflecteur de la goulotte. Desserrer l'écrou (A, Figure 14) à oreilles situé sur le côté de la goulotte et relever de déflecteur pour augmenter la distance d'éjection ou l'abaisser pour diminuer la distance d'éjection. Serrer l'écrou à oreilles.



Vérifiez le déflecteur de la chute

Figure 14



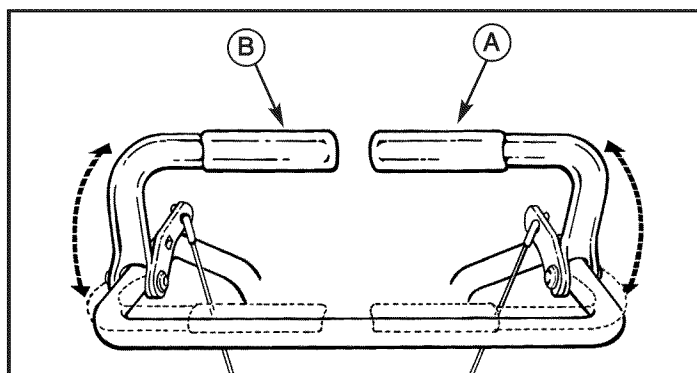
**REMARQUE: Ne pas projeter la neige vers un bâtiment car des corps étrangers pourraient être pris par la vis sans fin et éjectés violemment.**

**NOTE: Always release the traction control lever before moving the speed select lever.**

4. La vitesse (A, Figure 12) de déplacement est déterminée par les conditions de la neige. Choisir la vitesse en déplaçant le levier de vitesse dans la partie colorée du panneau comme indiqué ci-dessous.
  - 1-2 Neige humide, lourde et très profonde
  - 3 Neige moyenne
  - 4-5 Neige très légère
  - 6 Position de transport seulement

**REMARQUE:** Lors du déneigement de neige lourde et humide, il est conseillé de réduire la vitesse de déplacement, de maintenir le moteur à plein régime et de ne pas dégager la neige sur toute la largeur de la machine.

5. Embrayer la vis sans fin à l'aide de la poignée d'embrayage (A, Figure 15).  
 VERS LE BAS - position embrayée  
 VERS LE HAUT - position débrayée
6. Embrayer la commande des roues avec la poignée gauche (B). Lorsque le chasse-neige commence à se déplacer, bien maintenir les poignées sur le guidon et guider le chasse-neige dans la direction voulue. Ne pas pousser le chasse-neige.
7. Pour arrêter le déplacement de la machine, relâcher la poignée de l'embrayage des roues (B).



Leviers de commande

Figure 15

8. Pour arrêter la vis sans fin, relâcher la poignée d'embrayage de la vis sans fin (A).
9. Pour faire reculer la souffeuse à neige, placer le levier sélecteur de vitesse (A, Figure 12) dans la première ou seconde position (R1 ou R2) de marche arrière et engager le levier de commande de traction (B, Figure 15).



**AVERTISSEMENT :** Ne jamais faire tourner le moteur à l'intérieur ou dans des endroits clos et mal ventilés. Les gaz d'échappement du moteur contiennent du **MONOXYDE DE CARBONE**, un **GAZ INODORE** et **MORTELE**.

- Garder les mains, les pieds, les cheveux et les vêtements amples à l'écart des pièces en mouvement du moteur et de la souffeuse à neige.
- La température du silencieux et de son voisinage peut dépasser 66 °C (150 °F). Éviter ces zones.
- **NE PAS** laisser d'enfants ni de jeunes adolescents utiliser ni s'approcher de la souffeuse à neige durant la marche.

## UTILISATION

**AVERTISSEMENT :** Lire le manuel d'instruction avant d'utiliser la machine. Une utilisation imprudente de cette machine peut s'avérer dangereuse.

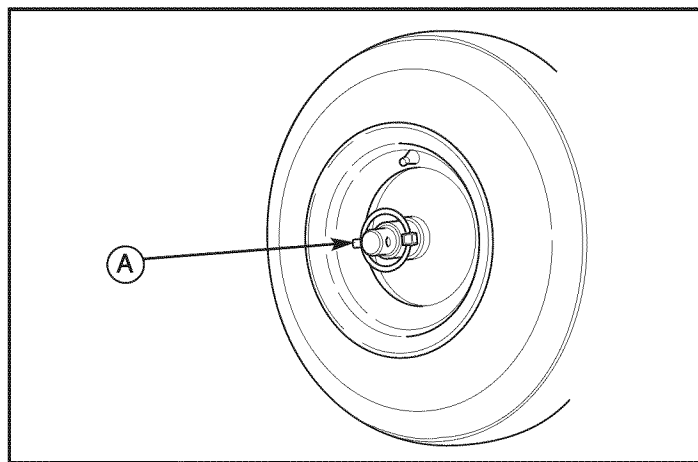
- Ne jamais utiliser la souffleuse à neige sans tous ses capots, grilles et autres protections en place.
- Ne jamais diriger l'éjection vers des fenêtres ni laisser des personnes s'approcher de la machine alors que le moteur est en marche.
- Toujours arrêter le moteur avant de quitter la position de conduite.
- Débrancher la bougie avant de déboucher le carter de vis sans fin ou la goulotte d'éjection et avant d'effectuer des réglages ou réparations.
- Avant de quitter la machine, enlever la clé de contact. Pour réduire le risque de feu, garder la machine propre et exempte d'éclaboussures d'essence, d'huile et autres débris.

### ARRÊTER LA SOUFFLEUSE À NEIGE

1. Relâcher le levier de commande de traction (B, Figure 15).
2. Placer le commutateur de ON/OFF (A, Figure 22) en position OFF (Arrêt) et sortir la clé de sécurité (B).

### TRACTION GOUPILLE DE SÛRETÉ

Le droit de traction des roues peut être complètement libéré en utilisant la goupille de sûreté (A, Figure 16). Cela permet à l'unité de se déplacer facilement avec le moteur coupé.



Traction goupille de sûreté

Figure 16

### CONTRÔLER LE NIVEAU D'HUILE (AVANT DE DÉMARRER LE MOTEUR)

**REMARQUE :** Le moteur est livré d'usine rempli d'huile. Contrôler le niveau d'huile. Compléter le niveau le cas échéant.

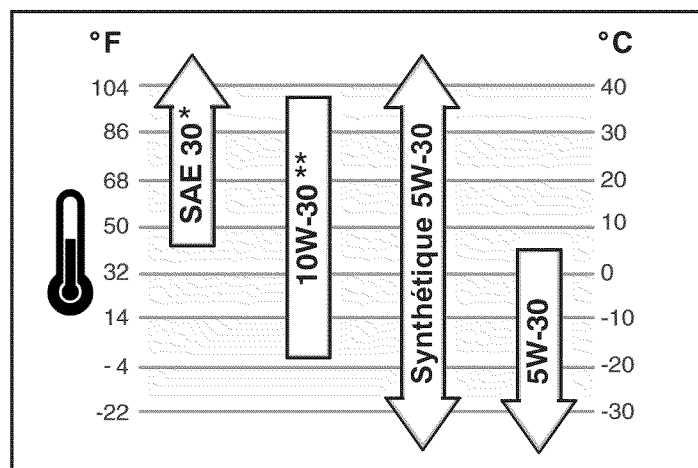
1. S'assurer que la machine est de niveau. Utiliser une huile détergente de haute qualité classée « Service SF, SH, SJ, SL ou plus ».
2. Ouvrir le bouchon-jauge d'huile (A, Figure 17) et l'essuyer avec un chiffon propre.
3. Remettre le bouchon-jauge d'huile en place et tourner dans le sens des aiguilles d'une montre pour serrer.
4. Ouvrir le bouchon-jauge d'huile et vérifier le niveau d'huile.

**REMARQUE :** Ne pas vérifier le niveau d'huile durant la marche du moteur.

5. Le cas échéant, ajouter de l'huile jusqu'au repère FULL (Plein) sur le bouchon-jauge d'huile. Ne pas ajouter trop d'huile.
6. Bien serrer le bouchon-jauge d'huile après chaque contrôle du niveau d'huile.

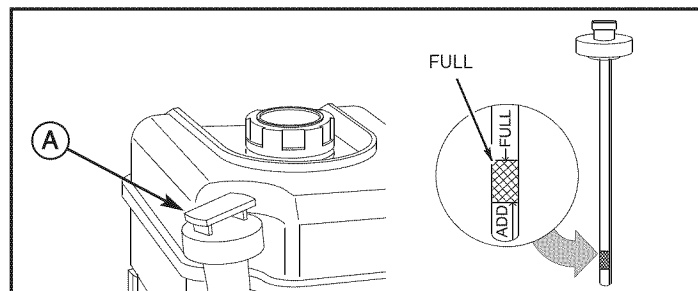
**REMARQUE :** Par très grand froid, au dessous de  $-18^{\circ}\text{C}$  ( $0^{\circ}\text{F}$ ), utiliser une huile moteur 5W30 synthétique pour faciliter le démarrage.

**REMARQUE :** L'huile moteur S.A.E. 5W30 peut être utilisée pour faciliter le démarrage par des températures de  $-7$  à  $-18^{\circ}\text{C}$  ( $20$  à  $0^{\circ}\text{F}$ ). L'huile synthétique 5W30 est utilisable à toutes températures. NE PAS mélanger l'huile avec l'essence. Voir les huiles recommandées dans le tableau ci-contre.



\* Sous  $4^{\circ}\text{C}$  ( $40^{\circ}\text{F}$ ) l'utilisation de SAE 30 résultera à une difficulté de mise en marche.

\*\* Au-dessus  $27^{\circ}\text{C}$  ( $80^{\circ}\text{F}$ ) l'utilisation de 10W-30 peut causer une augmentation de consommation d'huile. Vérifiez le niveau d'huile plus fréquemment.



Contrôler le niveau d'huile

Figure 17

## REEMPLIR LE RÉSERVOIR D'ESSENCE

Ce moteur est certifié pour fonctionner à l'essence. Système de contrôle des émissions d'échappement : EM (modifications moteur).

Remplir le réservoir d'essence avec de l'essence automobile ordinaire ou super sans plomb ou reformulée, fraîche et propre, d'indice d'octane minimum de 85, en ajoutant un stabilisateur de carburant (suivre les instructions sur l'emballage du stabilisateur de carburant). **NE PAS** utiliser d'essence au plomb. Il est conseillé d'ajouter du stabilisateur de carburant à l'essence chaque fois que l'on ajoute de l'essence au réservoir.

**REMARQUE** : L'essence de qualité hivernale est plus volatile pour améliorer le démarrage. Vérifier que le bidon est propre et exempt de toute saleté et autres matières étrangères. Ne jamais utiliser d'essence susceptible d'être éventée suite à une conservation prolongée dans le bidon.

**ATTENTION** : NE PAS utiliser une essence contenant une quelconque quantité d'alcool car cela présente des risques de dommages graves du moteur ou de baisse de performances notable.

**AVERTISSEMENT** : L'essence est inflammable. Toujours faire preuve de précaution pour manipuler ou entreposer l'essence. Couper le moteur et le laisser refroidir pendant au moins deux minutes avant d'ouvrir le bouchon du réservoir. Ne pas verser d'essence dans le réservoir alors que la souffleuse à neige est en marche, chaude ou placée dans un endroit fermé. Rester à l'écart de flammes nues ou d'étincelles électriques et **NE PAS FUMER** durant le remplissage du réservoir. Ne jamais complètement remplir le réservoir d'essence ; le remplir jusqu'à 3,8 mm (1-1/2 pouces) du haut pour permettre la dilatation de l'essence. Toujours faire le plein d'essence à l'extérieur et utiliser un entonnoir ou un bec verseur pour éviter les débordements accidentels. Veiller à essuyer toute éclaboussure d'essence avant de démarrer le moteur.

Conserver l'essence dans un récipient homologué propre et garder le bouchon en place sur le récipient. Garder l'essence dans un endroit frais et bien ventilé, jamais dans la maison. Pour garantir sa volatilité, ne jamais acheter plus de 30 jours de réserve d'essence. L'essence est destinée à servir de carburant pour moteur à explosion ; par conséquent, ne pas l'utiliser à d'autres fins. Beaucoup d'enfants aiment l'odeur de l'essence, c'est pourquoi elle doit être gardée hors de leur porte, car elle dégage des valeurs dangereuses en cas d'inhalation, mais également explosives.

## DÉMARRER LE MOTEUR

Vérifier que le niveau d'huile moteur est sur le repère FULL du bouchon-jauge d'huile. Le moteur de la souffleuse à neige est équipé d'un démarreur électrique à courant secteur et d'un lanceur à enrouleur. Avant de démarrer le moteur, veiller à bien lire les informations ci-dessous.

Si le moteur est noyé, placer le starter en position OPEN/RUN et lancer le moteur jusqu'à ce qu'il démarre.

**AVERTISSEMENT** : Le démarreur électrique est équipé d'un cordon d'alimentation à trois fils et fiche compatible avec le courant secteur domestique. Le cordon d'alimentation doit être en permanence correctement relié à la terre pour écarter le risque de décharge électrique pour l'utilisateur. Suivre les instructions suivantes avec attention :

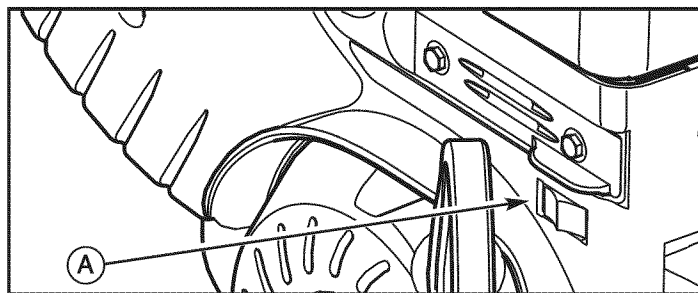
Vérifier que le circuit électrique de la maison est de type à trois fils avec terre. En cas de doute, consulter un électricien agréé. Si la maison ne comporte pas de circuit électrique à trois fils avec terre, ne pas utiliser le démarreur électrique. Si la maison comporte un circuit électrique à trois fils avec terre mais qu'aucune prise n'est disponible pour brancher le démarreur électrique, faire installer une prise avec terre par un électricien agréé.

**AVERTISSEMENT** : Pour brancher le cordon d'alimentation, toujours raccorder d'abord le cordon au boîtier de commutateur sur le moteur, puis brancher l'autre bout sur une prise de courant avec terre.

**AVERTISSEMENT** : Pour débrancher le cordon d'alimentation, toujours débrancher d'abord le côté branché sur la prise de courant avec terre.

Démarrer le moteur de la manière suivante :

1. Contrôler le niveau d'huile. Voir la section « Contrôler/compléter le niveau d'huile » dans le MANUEL DU MOTEUR.
2. S'assurer que les commandes d'entraînement de la machine sont débrayées.
3. Placer le commutateur de ON/OFF (A, Figure 18) en position ON.



Démarrer le moteur

Figure 18

4. Insérer la clé de sécurité (A, Figure 19) dans le contact du moteur et l'enfoncer complètement jusqu'en position de MARCHE.
5. Tourner le bouton de starter (B) complètement dans le sens des aiguilles d'une montre si le moteur est froid.

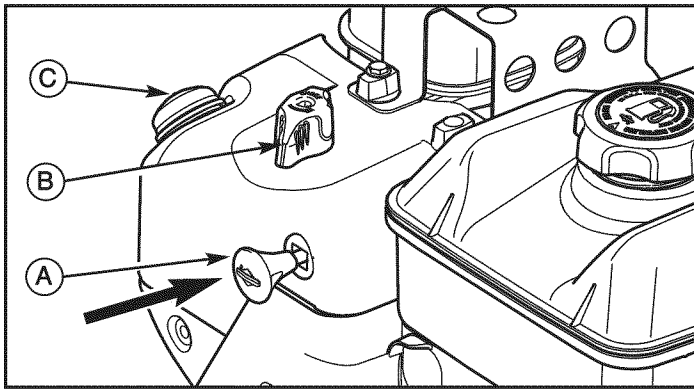
**REMARQUE** : Ne pas utiliser le starter pour faire démarrer un moteur chaud.

6. Appuyer deux fois sur le bouton d'amorçage (C).

**REMARQUE** : Ne pas utiliser le bouton d'amorçage pour faire démarrer un moteur chaud.

**REMARQUE** : Veiller à ce que la rallonge électrique est retiré du pouvoir récipent.

## UTILISATION



Insérer la clé de sécurité

Figure 19

7. **Démarrage par lanceur** : Tenir fermement la poignée du cordon de lanceur (A, Figure 20). Tirer le cordon du lanceur lentement jusqu'à sentir une résistance, puis tirer rapidement.

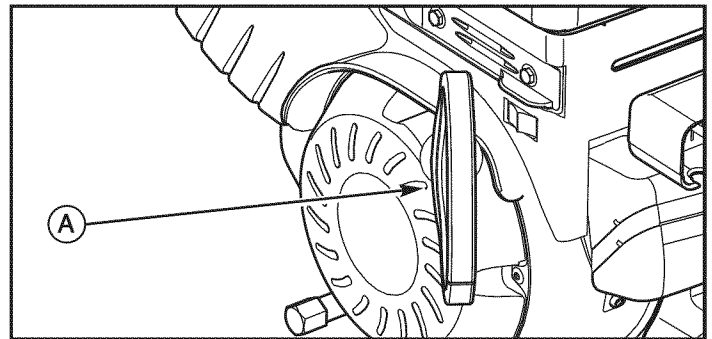
**AVERTISSEMENT** : Un retrait rapide du cordon de lanceur (effet de rebond) peut tirer la main ou le bras vers le moteur avant d'avoir pu relâcher le cordon et provoquer des fractures, contusions ou entorses. Pour démarrer le moteur, tirer le cordon du lanceur lentement jusqu'à sentir une résistance puis tirer rapidement pour éviter le rebond.

**REMARQUE** : Si le moteur ne démarre pas au bout de trois essais, voir la section Dépannage du manuel de moteur.

8. **Démarrage électrique** : Brancher le cordon de rallonge d'abord sur la prise pour cordon d'alimentation puis sur une prise murale. Si une rallonge supplémentaire est nécessaire, vérifier qu'elle est de type à trois fils.

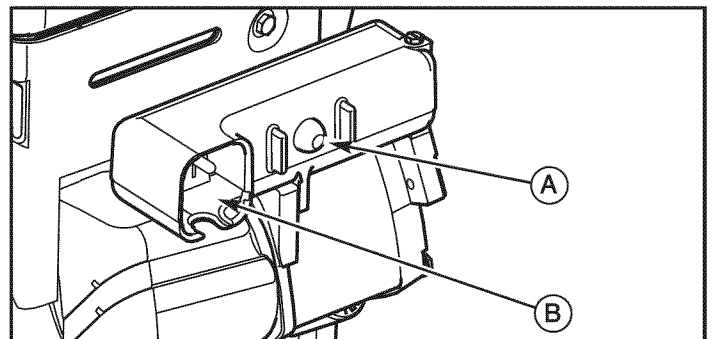
**AVERTISSEMENT** : Si le cordon est endommagé, il doit être remplacé par le fabricant (ou son représentant de service après-vente) ou par une personne qualifiée afin d'écartier tout danger.

9. **Démarrage électrique** : Appuyer sur le bouton-poussoir de démarrage (A, Figure 21). Une fois que le moteur a démarré, débrancher d'abord le cordon de la prise murale et puis de la prise pour cordon d'alimentation (B).



Poignée du cordon de lanceur

Figure 20



Démarrage électrique

Figure 21

**IMPORTANT** : Pour prolonger la durée de vie du démarreur, utiliser des cycles de démarrage courts (cinq secondes maximum). Attendre une minute entre les cycles de démarrage.

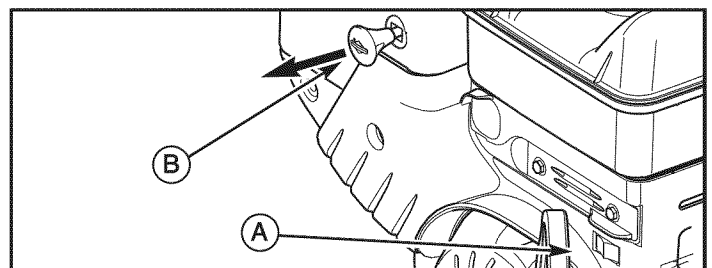
**REMARQUE** : Si le moteur ne démarre pas au bout de trois essais, voir la section Dépannage du manuel de moteur.

## ARRÊTER LE MOTEUR

Faire tourner le moteur pendant quelques minutes pour faire évaporer toute humidité présente sur le moteur.

**AVERTISSEMENT** : L'essence et ses vapeurs sont extrêmement inflammables et explosives. Le feu ou l'explosion peuvent provoquer des brûlures graves ou la mort. NE PAS utiliser le starter pour arrêter le moteur.

1. Placer le commutateur de ON/OFF (A, Figure 22) en position de OFF.
2. Retirer la clé de sécurité (B). Conserver la clé de sécurité hors de portée des enfants.



D'arrêter le moteur

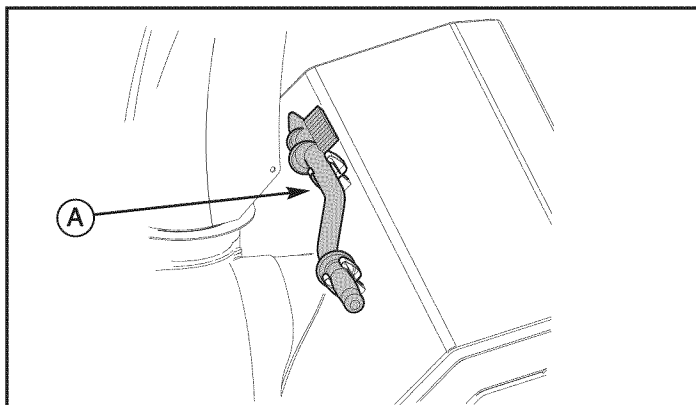
Figure 22

## DÉGAGER UNE GOULOTTE D'ÉJECTION OBSTRUÉE

**AVERTISSEMENT :** Le contact des mains avec la turbine en rotation à l'intérieur de la goulotte d'éjection est la cause la plus courante de blessure associée aux souffleuses à neige. Jamais claie ou de désengorger la goulotte d'éjection avec vos mains, ou lorsque le moteur est en marche. Les doigts peuvent devenir rapidement capturés et l'amputation traumatique ou des lacérations graves peuvent en résulter.

- ARRETER LE MOTEUR !
- Attendre 10 secondes jusqu'à l'arrêt complet des lames de la turbine.
- Toujours utiliser un outil de nettoyage, pas les mains.

Une **outil de nettoyage** est attaché soit au guidon, soit sur le dessus du carter de vis sans fin (A, Figure 23). Utiliser l'**outil de nettoyage** pour éliminer la neige du carter de vis sans fin.



Outil de nettoyage

Figure 23

## CONSEILS D'UTILISATION

1. Le déneigement se fera de façon d'autant plus efficace que la neige est déblayée immédiatement après être tombée.
2. Pour enlever toute la neige, chevaucher légèrement chaque bande précédemment dégagée.
3. Autant que possible, projeter la neige dans le sens du vent.
4. En mode d'utilisation normal, régler les patins à 3 mm (1/8 pouce) sous le niveau de barre de raclage. Sur les surfaces de neige très compactée, les patins peuvent être remontés pour assurer un déblaiement efficace.
5. Sur les surfaces de gravier ou de pierres concassées, régler les patins à 32 mm (1-1/4 pouces) sous le niveau de la barre de raclage (voir « Régler la hauteur des patins » dans la section ENTRETIEN de ce manuel). Les pierres et le gravier ne doivent pas être ramassées et éjectées par la machine.
6. Une fois l'opération de déneigement terminée, laisser le moteur tourner au ralenti pendant quelques minutes pour faire fondre la neige et la glace accumulées sur le moteur.
7. Nettoyer la souffluse à neige avec soin après chaque utilisation.
8. Nettoyer les dépôts de neige et tous les débris de l'ensemble de la souffluse à neige puis la rincer à l'eau (si possible) pour éliminer tout le sel et autres substances chimiques. Essuyer la souffluse à neige.
9. Avant de démarrer la souffluse à neige, toujours vérifier l'absence dans la vis sans fin et la turbine de glace ou de débris susceptibles d'endommager la machine.
10. Vérifier le niveau d'huile avant chaque démarrage. S'assurer que le niveau d'huile est sur le repère FULL du bouchon-jauge d'huile.

# ENTRETIEN

RECOMMANDATIONS DE SERVICE									
PROCÉDURE		PREMIER 5 HEURES	AVANT CHAQUE USAGE	APRÈS CHAQUE USAGE	CHAQUE 5 HEURES	CHAQUE 10 HEURES	CHAQUE 25 HEURES	COMMENCEMENT DE CHAQUE SAISON	AVANT L'ENREPOSAGE
<b>SÉCURITÉ</b>	Vérifiez que l'ailette de la tarière arrête dans 5 secondes après que le levier droit de commande est relâché		✓						
	Lubrifiez les leviers de commande et tringleries	✓				✓		✓	
<b>SOUFFLEUSE À NEIGE</b>	Vérifiez la souffleuse à neige pour quincaillerie libre				✓			✓	
	Lubrifiez l'arbre hex et les chaînes							✓	✓
	Lubrifiez les accessoires de l'arbre de la tarière					✓			✓
	Lubrifiez l'engrenage du conduit de rotation et le mécanisme du déflecteur						✓		
	Enlevez tout la neige et neige fondante de la souffleuse à neige pour empêcher la tarière et les commandes de geler			✓					
	Vérification de la pression des pneus						✓		
<b>MOTEUR</b>	Huile, vérification		✓		✓			✓	
	Huile, changement	✓						✓	
	Vérifiez et remplacez la bougie d'allumage						✓	✓	

**REMARQUE :** La garantie sur cette souffleuse à neige ne couvre pas les itèmes sujets à un abus ou négligence par l'opérateur. Pour recevoir la valeur en entier de la garantie, l'opérateur doit maintenir la souffleuse à neige selon les instructions dans ce manuel.

Les **Recommandations de service** ci-dessus sont pour aider l'opérateur à bien entretenir la souffleuse à neige.



**ATTENTION :** Ne laissez jamais la graisse ou l'huile de contacter la roue de friction en caoutchouc ou le disque d'entraînement. Si le disque d'entraînement ou la roue de friction viennent en contact avec la graisse ou l'huile, un dommage à la roue de friction en caoutchouc résultera.

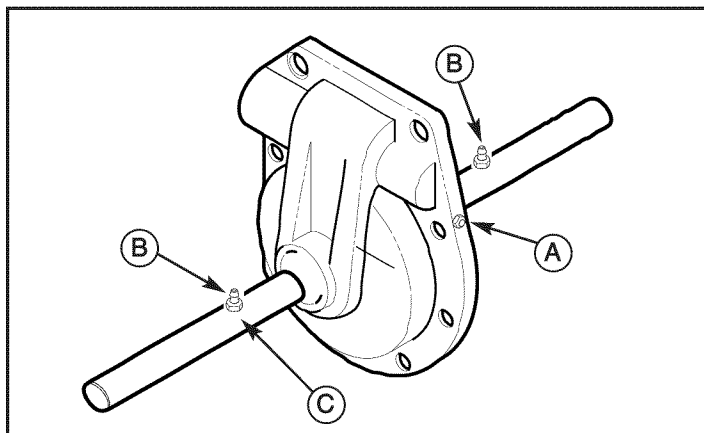
**AVIS :** Si la graisse ou l'huile vient au contact avec le disque d'entraînement ou la roue de friction, assurez-vous de nettoyer le disque et la roue complètement avec un solvant à base d'alcool.



## GRAISSAGE DE LA BOÎTE D'ENGRENAGE DE VIS SANS FIN

La boîte d'engrenage de vis sans fin est graissée d'usine et ne nécessite normalement aucun graissage supplémentaire. Si, pour une quelconque raison, la graisse s'est vidée ou suite à une réparation de la boîte d'engrenage, ajouter de la graisse Lubriplate GR132 ou équivalent. Utiliser un maximum 92 grammes (3-1/4 onces).

Ouvrir le bouchon de graissage (A, Figure 24) une fois par an. Si la graisse est visible, ne rien ajouter. Si la graisse n'est pas visible, utiliser un morceau de fil de fer en guise de jauge pour vérifier s'il y en a dans la boîte d'engrenage. Les graisses Mobilux EP1 et Shell Alvania EP1 sont des équivalents acceptables.



Graissage de la boîte d'engrenage de vis sans fin

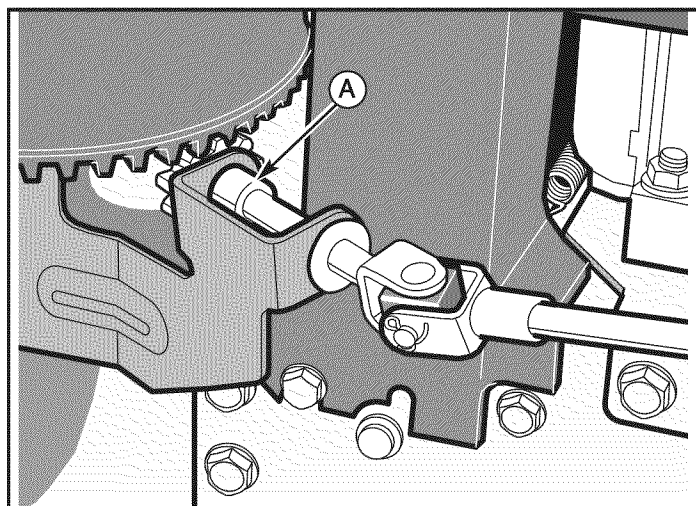
Figure 24

## GRAISSAGE DE L'ARBRE DE VIS SANS FIN

1. Utiliser une pompe à graisse manuelle sur les graisseurs zerk de l'arbre de vis sans fin (B, Figure 24) toutes les dix (10) heures d'exploitation. Chaque fois qu'une goupille de cisaillement est remplacée, la vis sans fin (C) doit IMPÉRATIVEMENT être graissée. (Voir « Changer les goupilles de cisaillement de vis sans fin » dans cette section.)
2. Pour le remisage ou lors du remplacement de goupilles de cisaillement, déposer les goupilles et lubrifier les graisseurs zerk de l'arbre de vis sans fin (B) Faire tourner la vis sans fin plusieurs fois sur son arbre et remettre les goupilles de cisaillement en place.

## LUBRIFIER LE PIGNON DE ROTATION DE GOULOTTE

Lubrifier le **pignon de rotation de goulotte** (A, Figure 25) et arbre avec (B) une huile de type automobile toutes les vingt-cinq (25) heures d'exploitation.



Pignon de rotation de goulotte

Figure 25

## ENTRETIEN DU MOTEUR

**Contrôler le niveau d'huile moteur** avant de démarrer le moteur et toutes les 8 heures d'utilisation continue. Ajouter de l'huile moteur préconisée le cas échéant.

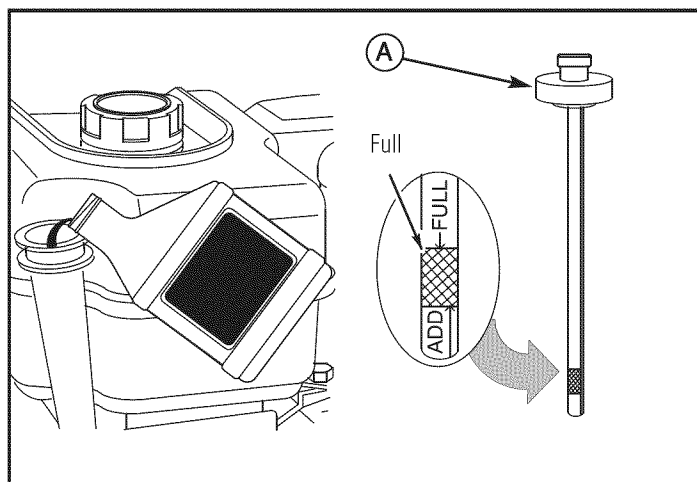
**REMARQUE : Un excès d'huile peut perturber le fonctionnement du moteur. Bien serrer le bouchon d'huile pour éviter les fuites.**

**Changer l'huile** toutes les 50 heures d'exploitation ou, au minimum, une fois par an, même si la souffleuse à neige n'a pas été utilisée pendant cinquante heures. Utiliser une huile détergente de haute qualité propre. Remplir le carter d'huile jusqu'au repère FULL (Plein) de la jauge (A, Figure 26). Vérifier que l'huile a un indice A.P.I. « SF » ou supérieur. Ne pas utiliser d'huile SAE 10W40 (car la lubrification peut être insuffisante).

**Voir les huiles recommandées dans le tableau ci-contre.**

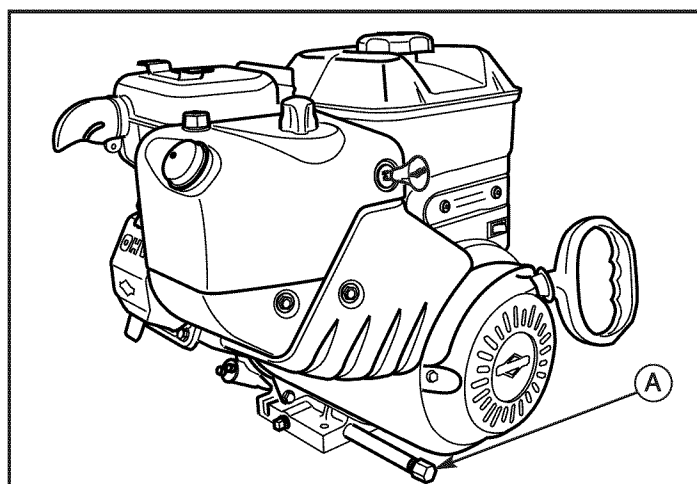
**Vidanger l'huile** – Placer la souffleuse à neige de telle façon que le bouchon de vidange d'huile soit au point le plus bas. Lorsque le moteur est chaud, déposer le bouchon de vidange et le bouchon de remplissage et vidanger l'huile dans un récipient adapté (A, Figure 27).

Remettre le bouchon de vidange en place et bien serrer. Remplir le carter d'huile avec l'huile moteur préconisée.



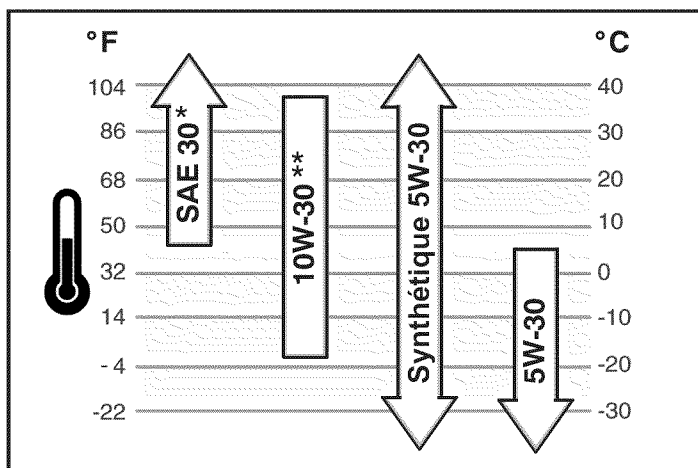
Contrôler le niveau d'huile moteur

Figure 26



Bouchon de vidange d'huile

Figure 27



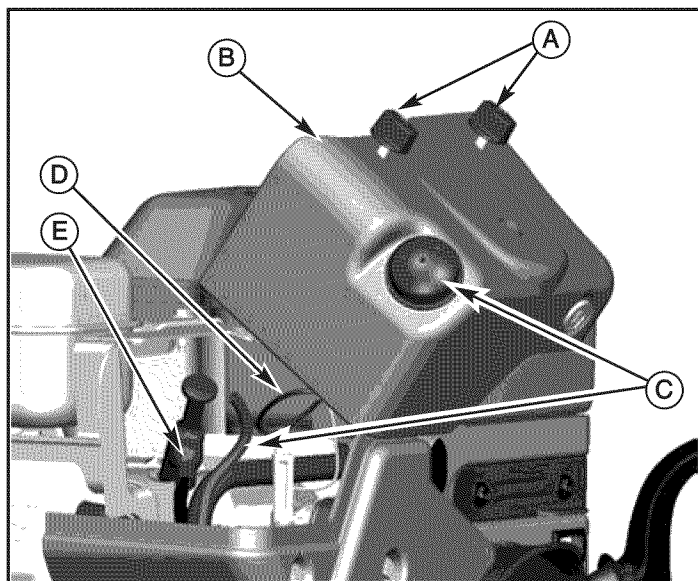
\* Sous 4 °C (40 °F) l'utilisation de SAE 30 résultera à une difficulté de mise en marche.

\*\* Au-dessus 27 °C (80 °F) l'utilisation de 10W-30 peut causer une augmentation de consommation d'huile. Vérifiez le niveau d'huile plus fréquemment.

**CHANGER LA BOUGIE D'ALLUMAGE**

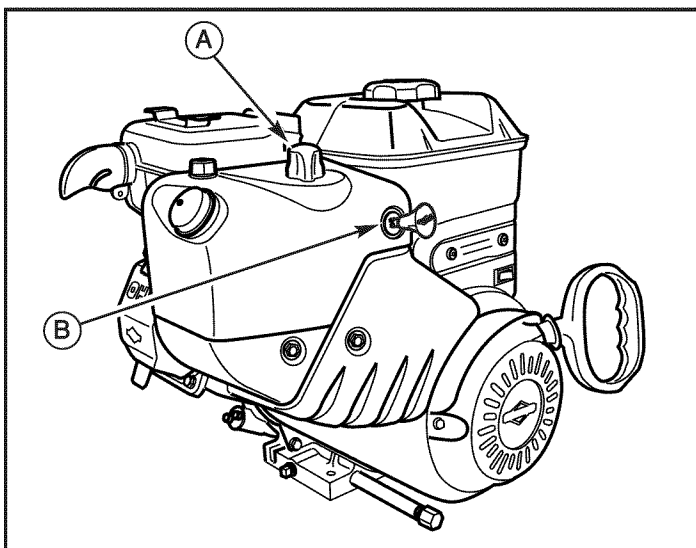
**Déposer le capot à neige**

1. Déposer le bouton de commande de starter (A, Figure 28).
2. Retirer la clé de sécurité (B).
3. Déposer les vis de fixation (A, Figure 29)
4. Enlever lentement le capot à neige (B). Vérifier que le tuyau du bouton d'amorçage (C) et le câble d'allumage (D) ne sont pas débranchés.
5. La bougie (E) est à présent accessible.
6. Avant de poser le capot à neige, vérifier d'abord que le tuyau du bouton d'amorçage et le câble d'allumage sont branchés.
7. Poser le capot à neige sur le moteur et l'attacher avec les vis de fixation.
8. Raccorder le bouton de commande de starter (A, Figure 30) à l'arbre de starter sur le carburateur (B). Vérifier que le bouton de commande de starter est correctement remonté. Si le bouton de commande de starter n'est pas posé correctement, le starter ne fonctionnera pas.
9. Remettre en place la clé de sécurité (C).



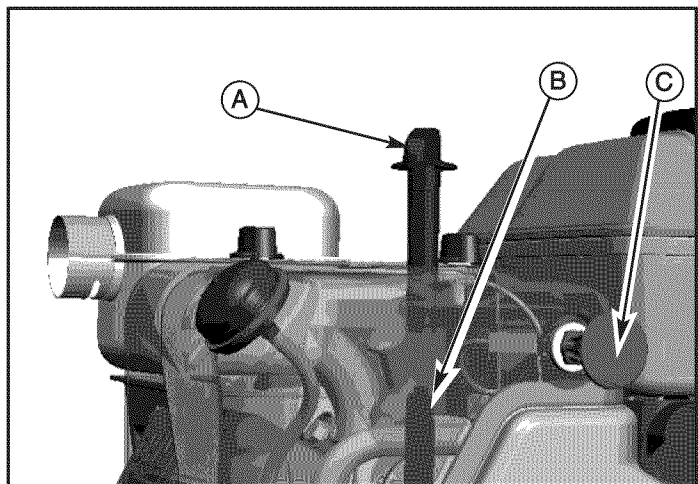
Retirez le capot de souffleuse à neige

**Figure 29**



Moteur de souffleuse à neige

**Figure 28**



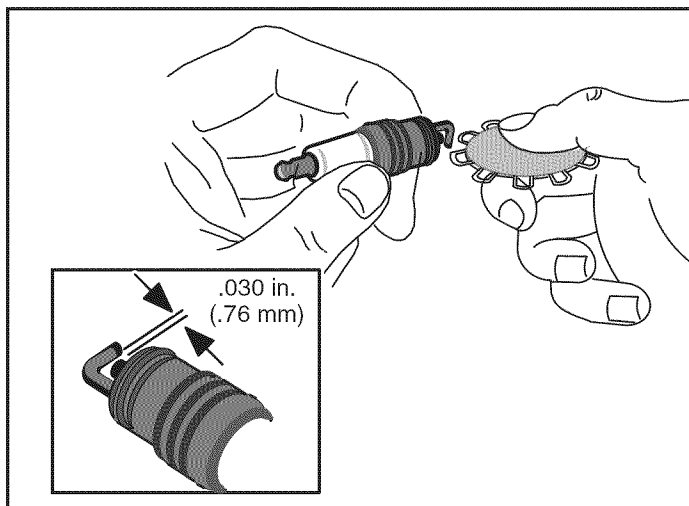
Raccorder le bouton de commande de starter

**Figure 30**

## Régler ou changer la bougie

Contrôler la **bougie** toutes les vingt-cinq (25) heures de marche. Changer la bougie (Figure 31) si les électrodes sont piquées ou brûlées ou si la porcelaine est fissurée.

1. Déposer le capot à neige (Voir la section "DÉPOSER LE CAPOT À NEIGE").
2. Nettoyer la bougie et régler l'écartement à intervalles réguliers.
3. Nettoyer la surface qui entoure la base de la bougie avant de la déposer afin d'éviter de faire tomber de la saleté dans le moteur.
4. Changer la bougie si les électrodes sont piquées ou brûlées ou si la porcelaine est fissurée.
5. Gratter avec précaution les électrodes de la bougie (ne pas nettoyer par sablage ni avec une brosse métallique).
6. S'assurer que la bougie est propre et exempte de toute matière étrangère. Vérifier l'écartement des électrodes avec une jauge d'épaisseur et le régler sur 0,76 mm (0,030 pouce) le cas échéant. Si une bougie neuve est requise, voir la bougie de rechange correcte dans la section PIÈCES DE RECHANGE de ce manuel.
7. Avant de remonter la bougie, enduire légèrement le filetage d'une graisse graphitée pour assurer une dépose facile.
8. Serrer fermement la bougie sur le moteur. Le cas échéant, utiliser une clé dynamométrique pour serrer à un couple de 24,4 à 31,2 Nm (18 à 23 ft-lbs).



Changer la bougie

Figure 31



**AVERTISSEMENT : Toujours éteindre la machine, sortir la clé de contact et débrancher le câble de la bougie avant toute opération d'entretien ou de réparation.**

## RÉGLER LA HAUTEUR DES PATINS

La souffleuse à neige est équipée de deux patins de réglage de hauteur fixés sur l'extérieur du carter de vis sans fin. Ils servent à relever l'avant de la souffleuse à neige.

Pour déneiger une surface dure telle qu'une allée ou une voie de garage goudronnée, régler les patins de manière à abaisser l'avant de la souffleuse à neige.

Pour déneiger un sol pierreux ou inégal, abaisser les patins de manière à relever l'avant de la souffleuse à neige. Ceci permet d'éviter que des pierres et autres débris soient ramassés et éjectés par la vis sans fin.

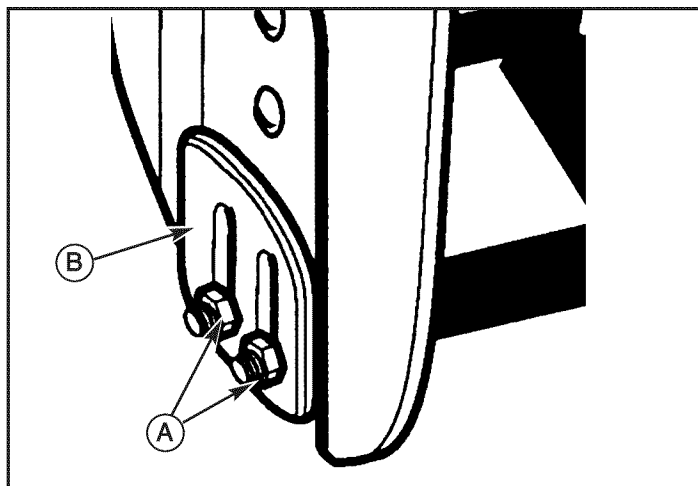
### Les patins se règlent de la manière suivante :

1. Placer une cale (d'épaisseur égale à la hauteur au sol souhaitée) sous la barre de réglage près, mais pas en dessous, du patin.
2. Desserrer les écrous de fixation du patin (A, Figure 32) et pousser le patin (B) vers le bas jusqu'à ce qu'il touche le sol. Resserrer les écrous de fixation.
3. Régler le patin de l'autre côté à la même hauteur.

**REMARQUE : Vérifier que la souffleuse à neige est réglée sur la même hauteur des deux côtés.**



**AVERTISSEMENT : Veiller à ce que la hauteur au sol soit toujours adaptée à la surface à déneiger. Des objets tels que du gravier, des pierres ou autres débris, s'ils sont heurtés par la turbine, peuvent être projetés avec suffisamment de force pour causer des blessures corporelles, des dégâts matériels ou des dommages de la souffleuse à neige.**



Régler la hauteur des patins

Figure 32

## AJUSTEMENT DES COURROIES

### Courroie d'entraînement de traction

La courroie d'entraînement de traction subit une pression de ressort constante et ne nécessite aucun ajustement. Si la courroie d'entraînement de traction patine, changer la courroie. Consulter le distributeur homologué.

### Courroie d'entraînement de vis sans fin

Si la souffleuse à neige n'éjecte pas de neige, vérifier le réglage du câble de commande. Si celui-ci est correct, vérifier alors l'état de la courroie d'entraînement de vis sans fin. Si elle est endommagée ou détendue, la changer (consulter le distributeur homologué).

Réglage de la courroie d'entraînement de tarière :

1. Débrancher le fil de bougie.
2. Déposer la vis (A, Figure 33) du protège-courroie (B). Déposer le protège-courroie.
3. Desserrer l'écrou sur le poulie d'embrayage de vis sans fin (A, Figure 34) et déplacer le poulie d'embrayage de vis sans fin vers la courroie de 3 mm (1/8 pouce) environ.

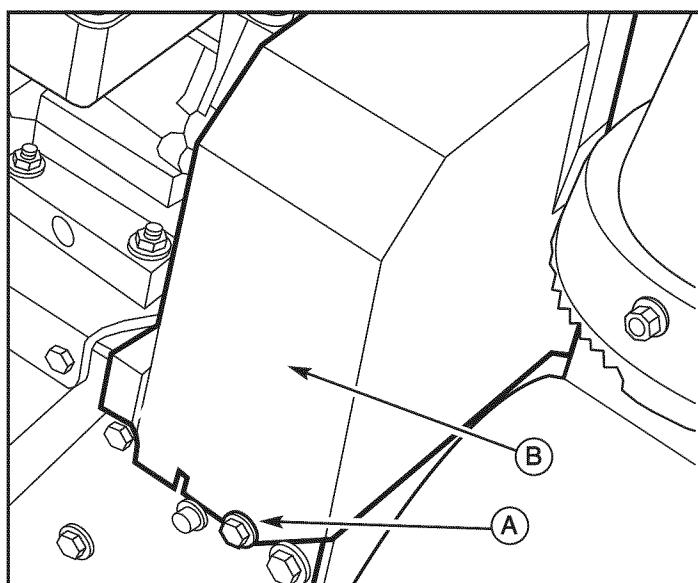
**AVERTISSEMENT : Ne pas trop serrer car cela peut relever le levier et forcer l'engagement de l'entraînement de vis sans fin alors que la commande de vis sans fin n'est pas actionnée.**

4. Serrer l'écrou.
5. Avec l'aide d'un assistant, engager l'embrayage de vis sans fin (B, Figure 34). Vérifier la tension sur la courroie (du côté opposé au galet tendeur). La courroie doit fléchir d'environ 12,5 mm (1/2 pouce) sous une pression modérée. Il peut être nécessaire de déplacer le galet tendeur plusieurs fois avant d'obtenir la tension correcte.
6. Remontez le couvre-courroie (B, Figure 33). Resserrez la vis (A).
7. Attachez le câble de bougie d'allumage.

**REMARQUE :** À chaque fois que les courroies sont réglées ou remplacées, les câbles doivent être réglés (voir la section « Vérifiez et ajustez les câbles »).

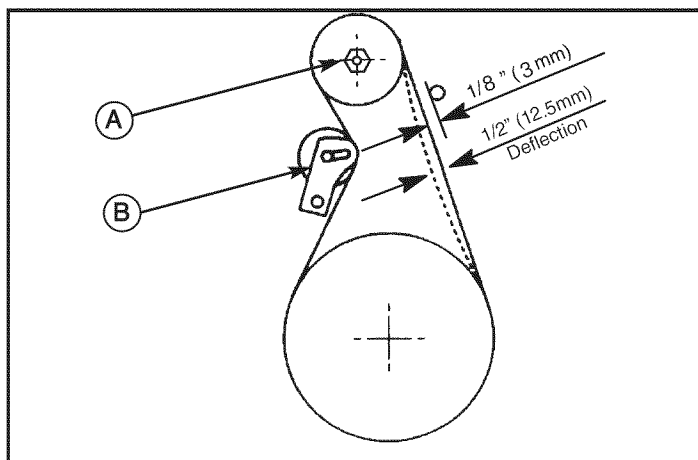
Vérifiez la courroie d'entraînement de tarière :

1. Relâchez le levier de commande de tarière. **La tarière doit s'arrêter dans les 5 secondes.**
2. Si la tarière ne fonctionne pas correctement, arrêtez le moteur et recommencez le « Réglage de courroie d'entraînement de tarière ».



Courroie de vis sans fin

Figure 33

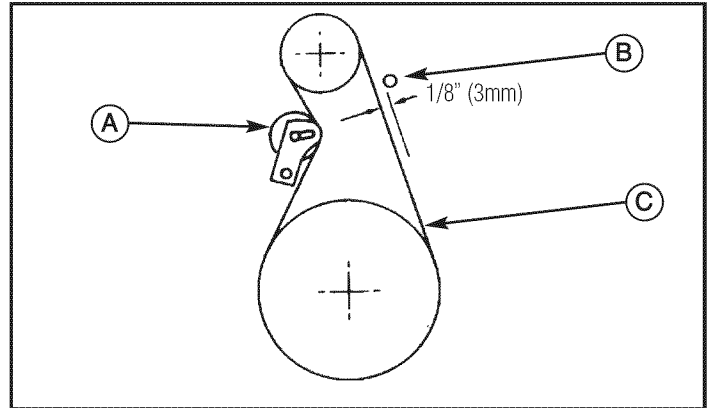


Obtenir la tension correcte

Figure 34

## AJUSTEMENT DU GUIDE DE COURROIE

1. Débrancher le fil de bougie.
2. Faire engager la commande de vis sans fin par une autre personne. Cela engager la galet tendeur de vis sans fin (A, Figure 35).
3. Mesurer la distance entre le guide de courroie (B) et la courroie (C). La distance doit être comprise entre 3 mm (1/8 pouce).
4. Si un ajustement est nécessaire, desserrer le boulon de fixation du guide de courroie. Placer le guide de courroie dans la position qui convient. Serrer le boulon de fixation.
5. Poser le protège-courroie.
6. Rebrancher le fil de bougie.



Réglage guide de courroie

Figure 35

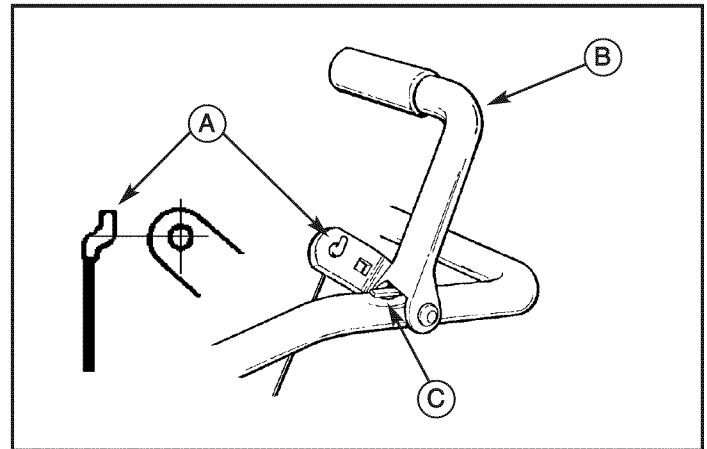
## VERIFICATION ET REGLAGE DES CÂBLES

Les câbles sont réglés en usine. Il est normalement inutile de modifier leur réglage, sauf en cas d'étirement ou de jeu trop important.

Il faudra aussi effectuer le réglage des câbles chaque fois que les courroies sont ajustées ou remplacées.

Pour vérifier le réglage, détacher le crochet en "Z" (A, Figure 36) du levier d'embrayage (B):

1. Pousser le levier d'embrayage (B) complètement vers l'avant (au contact de la butée en plastique).
2. Le centre du crochet (A) doit être entre le centre et le sommet du trou du levier d'embrayage (B).



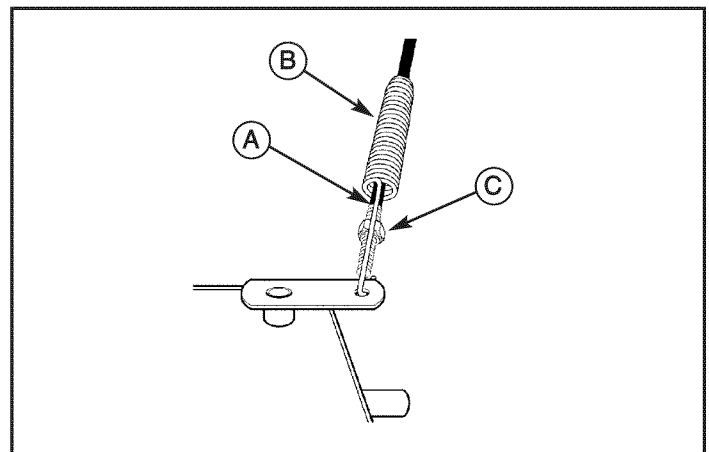
Vérifier les câbles

Figure 36

## Réglage du câble de commande des lames

**ATTENTION! Vidanger le réservoir de carburant à l'extérieur et à l'écart de toute flamme.**

1. Vidanger le réservoir d'essence. Basculer le chasse-neige vers l'avant en le laissant reposer sur la face avant du carter des lames.
2. Pousser le câble (A, Figure 37) dans le ressort (B) pour exposer la partie filetée du câble.
3. Tenir l'extrémité carrée de la partie filetée avec des pinces et tourner l'écrou (C) dans un sens ou dans l'autre pour obtenir le réglage approprié.
4. Tirer le câble dans le ressort et remonter le câble.



Réglage du câble d'entraînement de vis sans fin

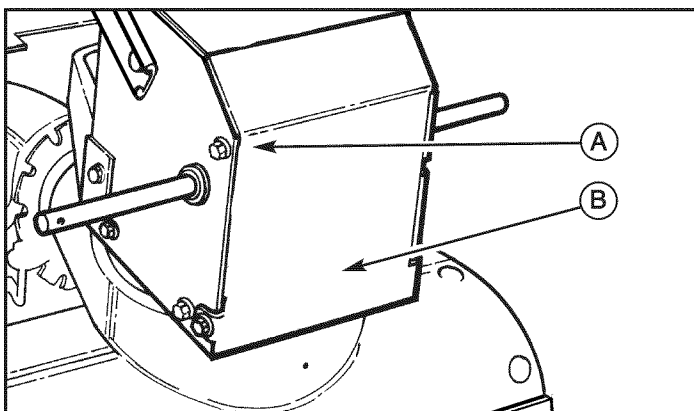
Figure 37

## Réglage du câble de commande de la traction

1. Vider le réservoir d'essence. Basculer la souffleuse à neige sur l'avant du carter de vis sans fin.

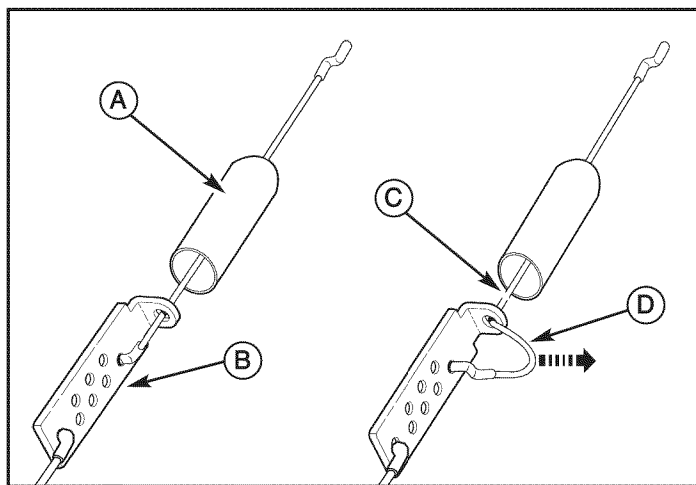
**⚠ AVERTISSEMENT : Vidanger l'essence à l'extérieur, à l'écart de feu ou de flammes.**

2. Desserrer les boulons (A, Figure 38) de chaque côté du panneau inférieur (B).
3. Déposer le panneau inférieur.
4. Retirer le crochet en « Z » du levier de commande (voir Figure 36).
5. Dégager la gaine de câble (A, Figure 39) de la ferrure de réglage de câble (B).
6. Enfoncer le bas du câble de commande de traction (C) dans la ferrure de réglage de câble jusqu'à pouvoir dégager le crochet en « Z » (D).
7. Sortir le crochet en « Z » de la ferrure de réglage de câble. Placer le crochet en « Z » dans le trou de réglage suivant.
8. Tirer le câble de commande de traction vers l'arrière de la ferrure de réglage de câble.
9. Remettre la gaine de câble sur la ferrure de réglage de câble.
10. Remonter le crochet en « Z » sur le levier de commande (voir Figure 36).
11. Pour vérifier le réglage, serrer le levier de commande et observer la longueur du ressort de commande (A, Figure 40). Lorsque le réglage est correct, la longueur du ressort est de 76 mm (3 pouces) minimum à 85 mm (3-3/8 pouces) maximum.
12. Poser le panneau inférieur (B, Figure 38).
13. Serrer les boulons (A) de chaque côté du panneau inférieur.



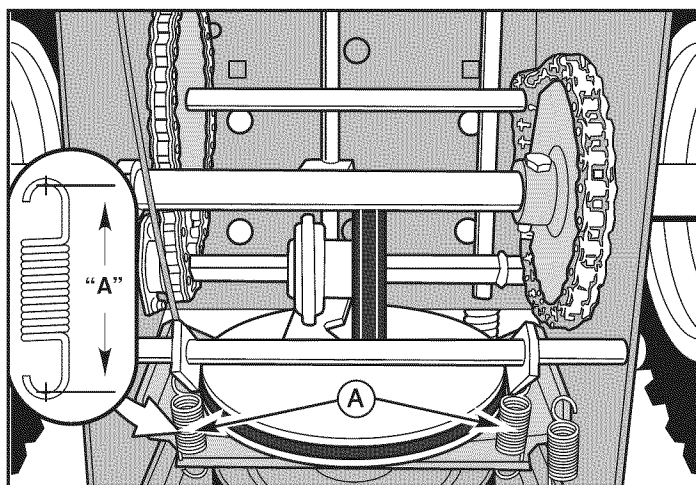
Réglage du câble de commande de traction

Figure 38



Câble de commande de traction

Figure 39



Pour vérifier le réglage

Figure 40

### CHANGER LES GOUPILLES DE CISAILLEMENT DE VIS SANS FIN

La vis sans fin est rendue solidaire de l'arbre de vis sans fin au moyen de goupilles de cisaillement conçues spécialement pour rompre en cas de blocage d'un objet dans le carter de vis sans fin. L'utilisation d'une goupille de cisaillement de plus grande dureté réduit la protection offerte par la goupille. Une goupille de cisaillement cassée se change de la manière suivante :

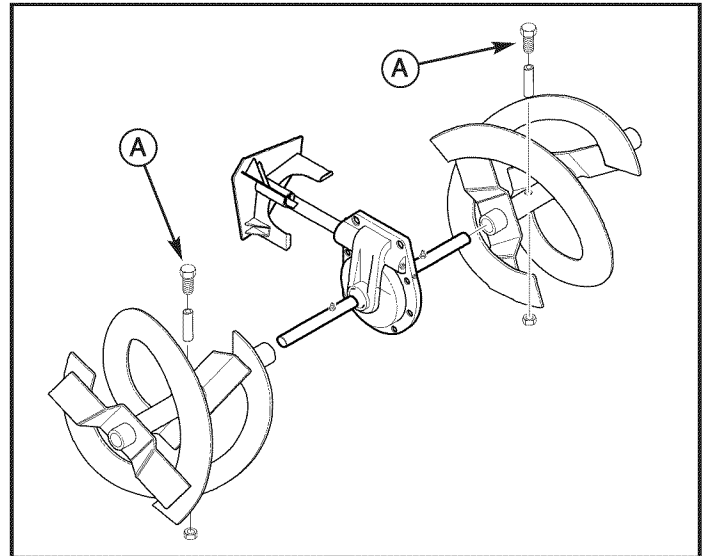
**AVERTISSEMENT : Ne pas s'approcher de la goulotte d'éjection ni de la vis sans fin lorsque le moteur est en marche. Ne pas faire fonctionner le moteur s'il manque un quelconque capot ou autre protection.**

Dans la majorité des cas, lorsque la vis sans fin heurte un objet susceptible d'endommager la machine, la goupille de cisaillement se casse. Ceci protège la boîte d'engrenages et les autres pièces de la machine.

Les goupilles de cisaillement (A, Figure 41) sont placées sur l'arbre de vis sans fin. Changer une goupille de cisaillement cassée de la manière suivante.

1. Extraire la goupille de cisaillement cassée avec un chasse-goupille.
2. Poser une goupille de cisaillement neuve et une goupille fendue. Rabattre les extrémités de la goupille fendue.

**IMPORTANT : Ne pas remplacer les goupilles de cisaillement par quoi que ce soit d'autre que des goupilles de cisaillement de rechange de dureté correcte. L'emploi de boulons, de vis ou de goupilles de cisaillement de plus grande dureté peut causer des dommages de la machine.**



Changer les goupilles de cisaillement de vis sans fin

Figure 41

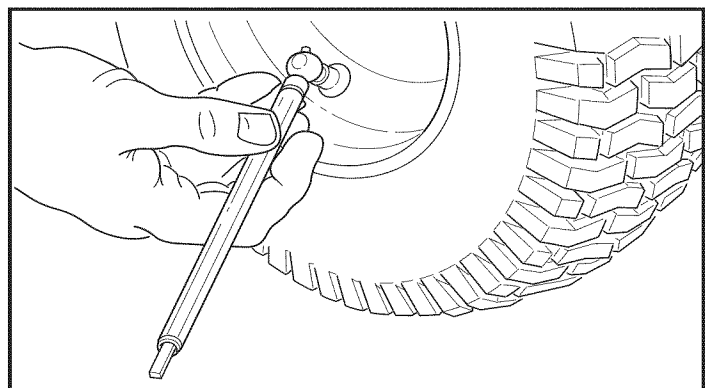
### CONTRÔLER LES PNEUS

Vérifiez les pneus pour les dommages. Vérifiez la pression d'air dans les pneus avec un manomètre précis (voir Figure 42).

**ATTENTION: Éviter les blessures! La séparation des explosifs et de pneus et de jantes parties est possible quand ils sont mal desservis.**

- Ne tentez pas de monter un pneu sans un équipement adéquat et l'expérience nécessaires pour effectuer le travail.
- Ne pas gonfler les pneus-dessus de la pression recommandée.
- Ne pas souder ou à la chaleur et une roue pneumatique. La chaleur peut causer une augmentation de la pression atmosphérique résultant en une explosion. Soudage structurellement peuvent affaiblir ou déformer la roue.
- Ne pas en avant ou sur le pneu lorsqu'un gonfler. Utilisez un approprié outil vous permettre un stand à côté.

**REMARQUE : Vérifier la pression de gonflage maximale sur le flanc du pneu. NE PAS dépasser le maximum.**



Vérifier la pression d'air des pneus

Figure 42



## REMISAGE HORS SAISON

**AVERTISSEMENT :** Ne jamais remiser le moteur, avec de l'essence dans le réservoir, à l'intérieur ou dans un espace clos mal ventilé où les vapeurs d'essence sont susceptibles d'atteindre une flamme nue, une étincelle ou une veilleuse telle que sur une chaudière, un chauffe-eau, un sèche-linge, etc.

Manipuler l'essence avec précaution. Elle est très inflammable et une imprudence peut provoquer des dommages corporels ou matériels graves par le feu.

Vidanger l'essence dans des récipients adaptés, à l'extérieur, à l'écart de toute flamme nue.

Si la souffleuse à neige doit être remise pendant trente (30) jours ou plus à la fin de la saison des neiges, il est conseillé d'effectuer ce qui suit pour préparer la souffleuse à neige pour le remisage.

**REMARQUE :** L'essence doit être vidangée ou traitée pour empêcher la formation de dépôts gommeux dans le réservoir, le filtre, le tuyau et le carburateur durant l'entreposage.

1. Pour éliminer l'essence, laisser tourner le moteur jusqu'à ce que le réservoir soit vide et le moteur s'arrête. Pour garder de l'essence dans le réservoir, ajouter du stabilisateur de carburant à l'essence restante afin de minimiser les dépôts gommeux et les acides. Si le réservoir est presque vide, mélanger du stabilisateur avec de l'essence fraîche dans un récipient séparé puis en verser dans le réservoir. TOUJOURS SUIVRE LES INSTRUCTIONS FIGURANT SUR L'EMBALLAGE DU STABILISATEUR. APRÈS AVOIR AJOUTÉ LE STABILISATEUR, FAIRE TOURNER LE MOTEUR PENDANT AU MOINS 10 MINUTES POUR PERMETTRE AU MÉLANGE D'ATTEINDRE LE CARBURATEUR. REMISER LA SOUFFLEUSE À NEIGE DANS UN ENDROIT SÛR.
2. Le fait de changer l'huile avant le remise (moteur 4 temps uniquement) contribue à maintenir le moteur en bon état de marche.
3. Lubrification de la zone piston/cylindre. Enlever d'abord la bougie et asperger de l'huile moteur proche dans le trou de la bougie. Couvrir ensuite le trou de bougie avec un chiffon pour absorber l'huile pulvérisée. Faire ensuite tourner le moteur en tirant sur le lanceur à deux ou trois reprises. Enfin, remonter la bougie et rebrancher le fil de la bougie.
4. Nettoyer la souffleuse à neige avec soin.
5. Lubrifier tous les points de graissage (voir les sujets « Lubrification » dans la section ENTRETIEN).
6. Vérifier que tous les écrous, boulons et vis sont correctement serrés. Effectuer un contrôle visuel de l'état et du degré d'usure de toutes les pièces mobiles visibles. Les changer le cas échéant.
7. Retoucher toutes les surfaces peintes rouillées ou écaillées ; poncer légèrement avant de peindre.
8. Couvrir toutes les parties métalliques nues du carter de vis sans fin et de la turbine de la souffleuse à neige d'un produit antirouille.
9. Si possible, remiser la souffleuse à neige à l'intérieur et la couvrir pour la protéger contre la poussière et la saleté.
10. Sur les modèles à guidon pliant, desserrer les boutons de fixation de la partie supérieure du guidon. Replier le haut du guidon.
11. Si la souffleuse à neige doit être entreposée à l'extérieur, la poser sur des cales en s'assurant que l'ensemble de la machine est au-dessus du sol. Couvrir la souffleuse à neige d'une bâche épaisse.

## LUBRIFIER L'ARBRE HEXAGONAL ET CHAÎNES

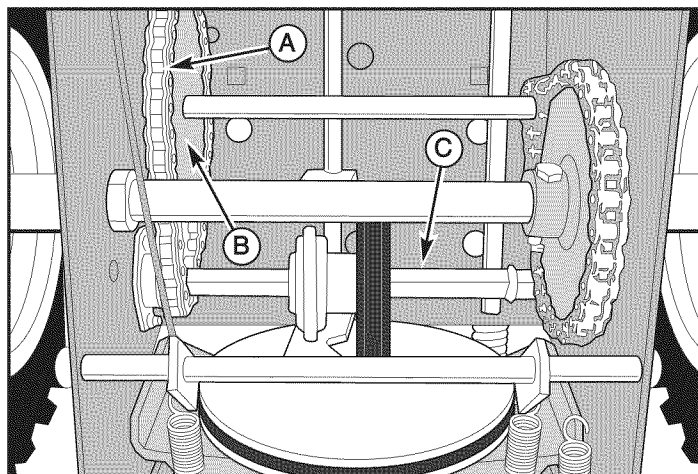
**ATTENTION :** Ne pas laisser de graisse ou d'huile venir au contact de la roue de friction en caoutchouc ou du disque d'entraînement. Tout contact du disque d'entraînement ou de la roue de friction avec de la graisse ou de l'huile peut endommager la roue de friction en caoutchouc.

**REMARQUE:** En cas de contact du disque d'entraînement ou de la roue de friction avec de la graisse ou de l'huile, nettoyer le disque et la roue avec soin avec un solvant à base d'alcool.

1. Placer le levier sélecteur de vitesse (A, Figure 12) en première vitesse de marche avant.
2. Vider le carburant dans un conteneur approuvé.
3. Basculer la souffleuse à neige sur l'avant du carter de vis sans fin.

**REMARQUE :** Lorsque le moteur est rempli d'huile, ne pas laisser la souffleuse à neige basculée sur l'avant du carter de vis sans fin pendant des durées prolongées.

4. Déposer le panneau inférieur.
5. Lubrifier les chaînes (A, Figure 43) avec un lubrifiant pour chaîne.
6. Essuyer l'arbre hexagonal (B) et les pignons (C) avec de l'huile moteur 5W30.
7. Remettre le panneau inférieur en place.



Lubrifier arbre hexagonal et chaînes

Figure 43

## SORTIR LA SOUFFLEUSE À NEIGE DU REMISAGE

Pour remettre la souffleuse à neige en service après le remisage, effectuer ce qui suit.

1. Remettre le haut du guidon en position d'utilisation et serrer les boutons de fixation.
2. Remplir le réservoir d'essence fraîche.
3. Contrôler la bougie. Vérifier que l'écartement est correct. Si la bougie est usée ou endommagée, la changer avant utilisation.
4. Vérifier que toute la visserie est bien serrée.
5. Vérifier que tous les capots, grilles et autres protections sont en place.
6. Vérifier que tous les réglages sont corrects.

## DÉPANNAGE

PROBLÈME	CHERCHEZ POUR	SOLUTION
<b>La tarière n'arrête pas dans 5 secondes après que le levier droit de commande est relâché.</b>	Free-Hand™ commande est ACTIVE.	Relâchez à la fois les leviers de commande de la tarière et de la traction/Free-Hand™ pour arrêter la tarière.
	Déréglage de la courroie d'entraînement de la tarière.	Ajustez la courroie de la tarière.
	Déréglage du guide de courroie de la tarière.	Ajustez le guide de courroie de la tarière.
<b>Le conduit d'éjection ou déflecteur ne fonctionne pas (électrique).</b>	Panne électrique.	Veillez voir un concessionnaire agréé.
<b>Le conduit d'éjection ou déflecteur ne fonctionne pas (manuel).</b>	Le conduit d'éjection ou déflecteur est dérégulé ou a besoin de lubrification.	Ajustez et/ou lubrifiez la tringlerie de commande.
<b>L'entraînement cesse de déplacer la souffleuse à neige à une vitesse lente.</b>	La commande de traction est dérégulée.	Réajustez l'entraînement, ou déplacez le levier de réglage de vitesse à une vitesse plus vite.
<b>Le moteur ne démarre pas.</b>	Clé est fermé.	Poussez la clé à la position MARCHE.
	La panne d'amorcer le moteur froid.	Appuyer sur le bouton d'amorceur à deux reprises et redémarrer.
	La soupape d'arrêt du carburant est à la position FERMÉ.	Tournez la soupape à la position OUVERT.
	Sans de carburant.	Remplir le réservoir de carburant.
	Starter en position ARRÊT - moteur froid.	Réglez le volet de départ à MARCHE et l'accélérateur à VITE.
	Moteur noyé.	Éteindre le starter ; essayer de démarrer.
	Pas d'étincelles.	Vérifier l'écartement. Vérifiez l'entrefer du bougie d'allumage, nettoyez l'électrode, ou remplacez la bougie si nécessaire.
	Présence d'eau dans le carburant ou carburant ancien.	Videz le réservoir. (Vidangez le carburant à une installation autorisée de gestion de déchets dangereux.) Remplir avec du carburant frais.
<b>Moteur démarre difficilement ou ne fonctionne pas bien.</b>	Le cordon électrique n'est pas branché ou mauvais fonctionnement (modèles à démarrage électrique).	Brancher le cordon électrique ou le remplacer s'il est défectueux.
	Mélange trop riche.	Déplacez le volet de départ à la position ARRÊT.
	Bougie d'allumage défectueuse, encrassée, ou l'entrefer est incorrect.	Nettoyez et corrigez l'entrefer du bougie, ou remplacez.
<b>Vibrations excessives.</b>	L'évent du bouchon de carburant est bloqué.	Nettoyez l'évent.
	Pièces détachées ou turbine/tarière endommagée.	Arrêtez le moteur immédiatement. Serrer toute la boulonnerie. Si la vibration continue, ayez l'appareil réparé par un concessionnaire agréé.
<b>La souffleuse à neige n'arrête pas quand le levier de la commande de traction est relâché.</b>	La commande de traction est dérégulée.	Ajustez la tringlerie de la commande de traction.

PROBLÈME	CHERCHEZ POUR	SOLUTION
<b>La souffleuse à neige vire d'un côté.</b>	La pression du pneu n'est pas égale.	Vérifier la pression des pneus.
	Une roue est en mode de roulage en roue libre. (Les goupilles d'arrêt de la traction sont dans le trou EXTÉRIEUR.)	Assurez-vous que la goupille d'arrêt de la traction gauche est dans le trou INTÉRIEURE (pour embrayer l'entraînement de traction).
<b>La barre de raclage ne nettoie pas la surface dure.</b>	Les plaques d'usure sont mal ajustées.	Levez ou abaissez les plaques d'usure.
<b>Unité ne se propulse pas.</b>	La courroie d'entraînement est lâche ou endommagée.	Changer la courroie. Veuillez voir un concessionnaire agréé.
	Ajustement incorrecte de l'entraînement du câble de traction.	Ajustez le câble d'entraînement de traction. Référez-vous à « Contrôl et réglage des câbles » dans la section d'ENTRETIEN dans ce manuel.
	Le disque de friction est usé ou endommagé.	Remplacez le disque de friction. Veuillez voir un concessionnaire agréé.
<b>Unité n'éjecte pas de neige.</b>	La courroie d'entraînement de la tarière est lâche ou endommagée.	Remplacez ou ajustez la courroie d'entraînement de la tarière. Référez-vous à « Réglage de courroie » dans la section d'ENTRETIEN dans ce manuel ou veuillez voir un concessionnaire agréé.
	Le câble de commande de la tarière n'est pas bien ajusté.	Ajustez le câble de commande de la tarière. Référez-vous à « Contrôl et réglage des câbles » dans la section d'ENTRETIEN dans ce manuel.
	Goupille de cisaillement brisée.	Remplacez la goupille de cisaillement Référez-vous à « Remplacement de la goupille de cisaillement de la tarière » dans la section d'ENTRETIEN dans ce manuel.
	Éjecteur obstrué.	Arrêtez le moteur immédiatement. Utilisez toujours un outil de nettoyage pour dégager le conduit d'éjection, non vos mains. Nettoyez le conduit d'éjection et dedans le boîtier de la tarière. Référez-vous aux AVERTISSEMENT dans la section SÉCURITÉ DE L'OPÉRATEUR.
	Corps étranger pris dans la tarière.	Arrêtez le moteur immédiatement. Utilisez toujours un outil de nettoyage pour dégager le conduit, non vos mains. Enlevez l'objet de la tarière. Référez-vous aux AVERTISSEMENT dans la section SÉCURITÉ DE L'OPÉRATEUR.

### **Garantie limitée de Craftsman**

**Généralités :** Les produits Craftsman sont garantis contre tout défaut de matériaux ou de fabrication pendant une période de temps précise, telle qu'établie ci-dessous (la « période de garantie »). En outre, cette garantie est offerte uniquement à l'acheteur initial du produit Craftsman. Les achats effectués par l'entremise d'un encaissement en ligne ou sur tout site Web autre que [www.sears.ca](http://www.sears.ca) sont exclus. La période de garantie débute à la date de l'achat initial. Au cours de cette période, Sears Canada, Inc. s'engage, à sa seule discrétion, à réparer ou à remplacer tout produit ou composant de produit défectueux dans des conditions d'utilisation normale. La réparation ou le remplacement sera effectué pour le client sans frais de pièces ni de main-d'œuvre, à condition que le client prenne à sa charge les frais de transport.

**Exclusions:** La présente garantie ne couvre pas les défauts dus à l'usure normale, l'utilisation inappropriée ou abusive, la négligence (y compris, mais sans s'y restreindre, l'utilisation d'essence éventée, la poussière, les abrasifs, l'humidité, la rouille, la corrosion ou tout autre effet indésirable, imputable à un entreposage ou à des habitudes d'utilisation inappropriés), un mauvais entretien, le non-respect des consignes ou directives d'entretien, l'utilisation de l'appareil contrairement aux instructions fournies dans le manuel d'entretien ou aux consignes ou informations données à l'acheteur initial, au moment de l'achat ou au cours de communications subséquentes avec lui, un accident ou encore une modification ou des réparations non autorisées, effectuées ou tentées par d'autres. Sont également exclus de la couverture de la garantie – sauf indication fournie ci-dessous – les éléments suivants : travaux d'entretien, réglages, composants sujets à l'usure, y compris mais sans s'y restreindre : les composants esthétiques, courroies, lames, adaptateurs de lame, ampoules, pneus, filtres, barres de guidage, lubrifiants, sièges, poignées, logements de cordon de démarrage, chaînes et barres de scie, bobines et fils de tondeuse à fouet, bougies, cordes de démarrage et dents, ainsi que les décolorations résultant de l'exposition aux rayons ultraviolets. Tout produit ne portant pas son étiquette d'identification avec son numéro de modèle ou de série sera exclu de la protection offerte par la présente garantie.

**Réparations :** Les réparations sont garanties pendant une période de 90 jours. Si le produit défectueux est toujours couvert par la garantie, la nouvelle garantie est de 90 jours à compter de la date de la réparation ou jusqu'à la fin de la période de garantie initiale, selon la plus longue des deux échéances.

**Restrictions :** LES GARANTIES ET RECOURS DÉFINIS DANS LES PRÉSENTES SONT EXCLUSIFS ET REMPLACENT TOUTE AUTRE GARANTIE, QU'ELLE SOIT VERBALE OU ÉCRITE (AUTRE QUE CELLES ÉNONCÉES DANS LES PRÉSENTES) OU QU'ELLE SOIT EXPRESSE, IMPLICITE OU PRÉVUE PAR LA LOI, SANS SE RESTREINDRE À AUCUNE. LA PRÉSENTE GARANTIE VOUS CONFÈRE DES DROITS JURIDIQUES PRÉCIS, POUVANT DIFFÉRER D'UNE PROVINCE À L'AUTRE.

SEARS NE POURRA EN AUCUN CAS ÊTRE TENUE RESPONSABLE DE TOUT DOMMAGE ACCESSOIRE, SPÉCIAL, INDIRECT OU CONSÉCUTIF, QUI RÉSULTERAIT DE L'UTILISATION, DU MÉSUSAGE OU DE L'INCAPACITÉ D'UTILISER LE PRODUIT OU QUI DÉCOULERAIT DE DÉFECTUOSITÉS DU PRODUIT. LES EXCLUSIONS DU PRÉSENT PARAGRAPHE NE S'APPLIQUENT PAS DANS LES TERRITOIRES OÙ LA LOI NE PERMET PAS L'EXCLUSION DES DOMMAGES ACCESSOIRES OU CONSÉCUTIFS. DANS CES TERRITOIRES, LE PRÉSENT PARAGRAPHE SERA SANS EFFET, MAIS LES AUTRES DISPOSITIONS DU PRÉSENT DOCUMENT DEMEURERONT VALIDES.

Sears conserve le droit exclusif de réparer ou de remplacer le produit ou encore d'offrir un remboursement complet de son prix d'achat, à sa seule discrétion. CE RECOURS SERA LE SEUL ET UNIQUE RECOURS DONT VOUS DISPOSEREZ EN CAS D'INEXÉCUTION QUELLE QU'ELLE SOIT DE LA GARANTIE.

**Responsabilités du client :** En plus d'observer toutes les consignes et directives d'entretien, le client doit s'acquitter, entre autres, des obligations suivantes : utiliser le produit conformément aux consignes de la notice d'entretien et aux directives ou informations additionnelles fournies à l'acheteur au moment de l'achat ou à l'occasion de communications subséquentes; faire preuve d'un soin raisonnable pour l'utilisation, le fonctionnement, l'entretien général, le maintien en bon état et l'entreposage du produit. Le manquement à ces obligations entraînera une annulation de la garantie applicable.

**Liste des périodes de garantie applicables :** La liste ci-dessous indique la période de garantie applicable aux divers produits Craftsman qu'elle couvre; la période accordée tient compte du type de produit ou de composants et du type d'utilisation prévue ou effective de l'appareil ou du composant :

1. **90 jours** – Produits Craftsman devant être ou étant effectivement utilisés à des fins commerciales, institutionnelles, professionnelles ou lucratives.
2. **2 ans** - Les produits de marque Craftsman suivants : tondeuses à conducteur porté, tracteurs de jardin, tondeuses à contrôle arrière, motobêches, débroussaillieurs, souffleuses à neige, souffleuses portatives, souffleuses dorsales, taille-bordures et produits électriques à usage non commercial, non professionnel, non institutionnel ou non lucratif, sauf les composants faisant partie de systèmes de moteur fabriqués par des tiers pour lesquels l'acheteur a reçu une garantie séparée ainsi que des renseignements sur le produit, au moment de l'achat.
3. **1 an** - Produits de marque Craftsman suivants : couteaux électriques, broyeuses de souches, ébranchoirs, scies à chaîne à essence, scies à chaîne électriques, accessoires de taille-bordures, sacs et scies à long manche utilisées à des fins non commerciales, non professionnelles, non institutionnelles et non lucratives.
4. **90 jours** - Toutes les batteries défectueuses, qui seront remplacées pendant une période de garantie de 90 jours.
5. **60 jours** - Une période de garantie additionnelle de 60 jours s'appliquera pour le réglage ou l'usure de produits ou de composants MAIS CETTE GARANTIE EXCLUT L'USURE ET LE RÉGLAGE de produits utilisés à des fins commerciales, institutionnelles, professionnelles ou lucratives. Les articles sujets à l'usure englobent, sans s'y restreindre : les courroies, lames, pneus, bougies, filtres à air, chaînes, boulons de cisaillement, plaques de protection, barres de raclage, coupe-congères, cordons, dents, sacs collecteurs et poulies.

Étant donné que la période de garantie débute à la date d'achat et NON à la date à laquelle le produit est livré, l'emballage ouvert et l'appareil assemblé ou utilisé la première fois, assurez-vous que votre produit ou composant est assemblé et mis à l'essai pour en vérifier le bon fonctionnement, quel que soit le moment où vous prévoyez commencer à l'utiliser réellement. Les réclamations présentées après l'expiration de la garantie ne seront pas acceptées.

**Preuve d'achat et documents :** La protection de la garantie est conditionnelle à la présentation par l'acheteur initial, à Sears Canada ou à son fournisseur de service autorisé s'il y a lieu, de la facture ou de toute autre preuve d'achat appropriée indiquant la date de l'achat et désignant le produit. Dans le cas où l'acheteur initial serait dans l'impossibilité de fournir une copie de sa facture, Sears Canada Inc. se réserve le droit d'établir, à sa seule discrétion, quelle autre preuve écrite de la date d'achat initial et de la désignation du produit est acceptable.

Rév. 03/13/2009

## Contrat d'entretien

La Garantie Craftsman, plus un contrat d'entretien sont la meilleure protection des produits Sears. Consulter le magasin Sears le plus proche pour tous les détails.

## Déclaration de garantie du système de contrôle des émissions de l'État de Californie, de l'U.S. EPA et de Briggs & Stratton Corporation Droits et obligations du propriétaire au titre de la garantie

Le California Air Resources Board (CARB), l'U.S. EPA et Briggs & Stratton (B&S) ont le plaisir de vous expliquer la garantie du système de contrôle des émissions pour votre moteur/équipement fabriqué depuis 2008. En Californie, les petits moteurs neufs à usage non routier doivent être conçus, fabriqués et équipés pour répondre aux normes sévères anti-effet de serre de l'État. B&S doit garantir le système de contrôle des émissions de votre moteur/équipement pendant les durées indiquées ci-après, en supposant que le moteur neuf à usage non routier n'ait pas fait l'objet d'abus, de négligence ou d'un mauvais entretien.

Le système de contrôle des émissions peut comprendre des pièces comme le carburateur ou le système d'injection de carburant, le réservoir de carburant, le système d'allumage et le convertisseur catalytique. Des durites, des courroies, des connecteurs, des capteurs et d'autres assemblages impliqués dans les émissions peuvent aussi en faire partie.

Si la condition de garantie est remplie, B&S réparera gratuitement votre moteur/équipement y compris le diagnostic, les pièces et la main-d'œuvre.

### Couverture de la garantie du fabricant:

Les petits moteurs à usage non routier sont garantis pendant une période de deux (2) ans. Si une pièce liée aux émissions de votre moteur/équipement est défectueuse, B&S la réparera ou la remplacera.

### Responsabilités du propriétaire au titre de la garantie:

- En tant que propriétaire d'un moteur/équipement, vous êtes responsable de l'entretien obligatoire mentionné dans le manuel d'utilisation. B&S recommande de conserver toutes les factures de maintenance de votre moteur/équipement mais B&S ne peut renier la garantie uniquement à cause de l'absence de factures ou parce que tous les entretiens n'ont pas été effectués en temps prévu.
- En tant que propriétaire d'un moteur/équipement, vous devez néanmoins savoir que B&S peut refuser d'appliquer la garantie si la défectuosité de votre moteur/équipement ou d'une partie de celui-ci est due à un abus, une négligence, un entretien non correct ou des modifications non approuvées.
- Vous avez la responsabilité de confier votre moteur/équipement à un centre de distribution, un Réparateur Agréé ou toute entité équivalente de B&S, selon la solution applicable, dès que le problème apparaît. Les réparations effectuées sous garantie doivent l'être en un temps raisonnable qui ne doit pas excéder trente (30) jours. Si vous avez des questions concernant vos droits et vos responsabilités au titre de la garantie, contactez B&S au (414) 259-5262.

## Dispositions de la garantie du système de contrôle des émissions de Briggs & Stratton

Suivent les dispositions particulières de la couverture de la garantie du système de contrôle des émissions. Elles viennent en complément de la garantie des moteurs B&S pour les moteurs non réglementés qui se trouve dans le manuel d'utilisation.

### 1. Pièces relatives au contrôle des émissions garanties

La couverture au titre de cette garantie ne s'étend qu'aux pièces énumérées ci-dessous (celles du système de contrôle des émissions) dans la mesure où ces pièces étaient présentes dans le moteur au moment de l'achat.

- a. Système de dosage du carburant
  - Système d'enrichissement pour démarrages à froid (starter)
  - Carburateur et pièces internes
  - Pompe à carburant
  - Durit et raccords de carburant, colliers
  - Réservoir de carburant, bouchon et câble d'attache
  - Réservoir à charbon activé
- b. Système d'admission d'air
  - Filtre à air
  - Collecteur d'admission
  - Conduite de vidange et de mise à l'air
- c. Système d'allumage
  - Bougie(s)
  - Système d'allumage par volant magnétique
- d. Système catalytique
  - Convertisseur catalytique
  - Collecteur d'échappement
  - Système d'injection d'air ou soupape d'impulsion
- e. Pièces diverses utilisées dans les systèmes ci-dessus
  - Soupapes et contacteurs de dépression, de température, de position et de durée
  - Raccords et assemblages

### 2. Durée de la couverture

Pendant une période de deux (2) ans à compter de la date de l'achat initial, B&S garantit à l'acheteur initial et à chaque acheteur suivant que le moteur est conçu, fabriqué et équipé de manière à être en conformité avec toutes les réglementations applicables adoptées par l'Air Resources Board, qu'il est exempt de tout défaut de matière ou de construction susceptible d'entraîner la défaillance d'une pièce garantie et qu'il est matériellement identique en tous points au moteur décrit dans la demande de certification du fabricant. La période de garantie démarre à la date de l'achat initial du moteur.

La garantie sur les pièces liées aux émissions est comme suit:

- Toute pièce garantie dont le remplacement n'est pas prévu dans le cadre de la maintenance obligatoire indiquée dans le manuel d'utilisation fourni est garantie pendant la période susmentionnée. Si cette pièce se révélait être défectueuse au cours de la période de garantie, elle serait réparée ou remplacée par B&S sans aucun frais pour le propriétaire. La pièce ainsi réparée ou remplacée sera garantie pour la période restante.
  - Toute pièce garantie dont seule une inspection régulière est prévue dans le manuel d'utilisation fourni est garantie pendant la période susmentionnée. La pièce réparée ou remplacée dans le cadre de la garantie sera garantie pour la période restante.
  - Toute pièce garantie dont le remplacement est prévu dans le cadre de la maintenance obligatoire indiquée dans le manuel d'utilisation fourni est garantie pendant la période précédant le premier remplacement prévu de cette pièce. Si cette pièce se révélait être défectueuse avant le premier remplacement prévu, elle serait réparée ou remplacée par B&S sans aucun frais pour le propriétaire. La pièce ainsi réparée ou remplacée sera garantie pour la période restante précédant le premier remplacement prévu de ladite pièce.
  - Les pièces ajoutées ou modifiées qui ne sont pas exemptées par l'Air Resources Board ne peuvent être utilisées. L'utilisation par le propriétaire de pièces ajoutées ou modifiées non exemptées sera un motif de rejet de toute réclamation. Le fabricant ne peut en aucun cas être tenu de garantir les défaillances de pièces garanties dues à l'utilisation de pièces non exemptées ajoutées ou modifiées.
3. Couverture des conséquences
- La présente couverture s'étend à la défaillance de tout composant du moteur due à la défaillance d'une pièce liée aux émissions garantie.
4. Réclamations et exclusions de garantie

Les réclamations sous garantie seront présentées selon les dispositions de la police de garantie des moteurs de B&S. La garantie ne couvre pas les défaillances de pièces liées aux émissions qui ne sont pas des pièces B&S d'origine ou les défaillances de pièces qui ont fait l'objet d'abus, de négligence ou d'un mauvais entretien ainsi qu'indiqué dans la police de garantie des moteurs de B&S. B&S n'est pas tenu de couvrir la garantie des défaillances des pièces liées aux émissions dues à l'utilisation de pièces rajoutées ou modifiées.

## Consultez les informations sur la période de durabilité des émissions et l'indice d'air sur l'étiquette d'émissions du moteur

Les moteurs qui sont certifiés conformes à la norme d'émissions du California Air Resources Board (CARB) doivent afficher l'information concernant la période de durabilité des émissions et l'indice d'air. Cette information est indiquée sur les étiquettes apposées sur les moteurs par Briggs & Stratton. L'étiquette du moteur indique les informations de certification.

La **période de durabilité des émissions** indique le nombre d'heures d'utilisation normale pour lequel le moteur est certifié conforme aux normes d'émissions sous réserve d'un entretien approprié tel qu'indiqué dans le manuel d'utilisation et d'entretien. Les catégories suivantes sont utilisées:

#### Modéré:

le moteur est certifié conforme pour 125heures d'utilisation normale.

#### Intermédiaire:

le moteur est certifié conforme pour 250heures d'utilisation normale.

#### Étendu:

le moteur est certifié conforme pour 500heures d'utilisation normale. Par exemple, une tondeuse à conducteur marchant classique est utilisée 20 à 25heures par an. Par conséquent, la **période de durabilité des émissions** d'un moteur de catégorie **intermédiaire** équivaudrait à une douzaine d'années.

Les moteurs Briggs & Stratton sont certifiés conformes aux normes environnementales d'émissions de la United States Environmental Protection Agency (U.S. EPA) Phase 2. Pour les moteurs certifiés Phase 2, la période de conformité d'émissions mentionnée sur les étiquettes indique le nombre d'heures d'utilisation pour lequel le moteur est en conformité avec les normes fédérales.

Pour les moteurs de cylindrée inférieure à 225cm<sup>3</sup>.

Catégorie C = 125heures, catégorie B = 250heures et catégorie A = 500heures.

Pour les moteurs de plus de 225cm<sup>3</sup>.

Catégorie C = 250heures, catégorie B = 500heures et catégorie A = 1000heures.

**MOTEUR :**

Marque	Briggs & Stratton
Séries du modèle	Série neige
Couple de serrage brut*	13,50 T.P. @ 3060 rpm
Type	4-Cycle - OHV
Cylindrée	305 cc (15,26 po <sup>3</sup> )
Démarrage du système	Lanceur électrique 110V
Alternateur	60W CA
Écartement des électrodes	0,76 mm (0,030 in.)
Bougie à résistance	491055
Bougie en platine longue durée	5066
Capacité d'huile	0,83 litre (28 oz)
Liquide hydraulique	Minéral 5W30
Volume du réservoir de carburant	2,8 litres (3,0 qts)
Dispositif d'allumage	Ce dispositif d'allumage par étincelle est conforme à la norme canadienne ICEA-002.

**TARIÈRE/TURBINE :**

Largeur de dégagement	68,6 cm (27 po)
Hauteur d'entrée	53,3 cm (21 po)
Diamètre de la tarière/turbine	30,5 cm (12 po)
Nombre de lames de tarière	3

**GOULOTTE :**

Défecteur de goulotte	Manuel
Rotation de la goulotte	Manivelle à gauche 190° (tour 3,5)

**SYSTÈME D'ENTRAÎNEMENT :**

Type d'entraînement	Disque de friction – Goupille de verrouillage de traction
Vitesses d'entraînement	6 vitesses marche avant, 2 vitesses marche arrière
Dimensions des pneus	41 x 12,2 cm (16 x 4,8)
Gonflage des pneus	0,96 bar (14 psi)

**Informations concernant la puissance théorique du moteur**

\* La puissance brute pour chaque Modèle de moteur à essence est indiquée conformément au code J1940 (procédure de calcul de la puissance et du couple des petits moteurs) de la SAE (Society of Automotive Engineers) et les performances théoriques ont été obtenues et corrigées selon SAE J1995 (révision 2002-05). Les valeurs de couple sont calculées sur la base de 3060 tr/min et celles de puissance sur la base de 3600 tr/min. La puissance brute réelle du moteur peut être plus faible notamment à cause des conditions de fonctionnement et des variations d'un moteur à l'autre. Compte tenu de la grande variété de machines sur lesquelles nos moteurs sont utilisés et du nombre de problèmes environnementaux applicables au fonctionnement des équipements, il se peut que le moteur à essence ne développe pas sa puissance théorique une fois qu'il est monté dans une machine particulière (puissance nette ou réelle « sur site »). Cette différence s'explique par un grand nombre de facteurs, tels que les suivants (liste non limitative) : accessoires (filtre à air, échappement, admission, refroidissement, carburateur, pompe à essence, etc.), limites d'utilisation, conditions ambiantes d'utilisation (température, humidité, altitude) et variations d'un moteur à l'autre. Pour des raisons de fabrication et de capacité limitées, Briggs & Stratton est susceptible de remplacer ce Modèle par un moteur plus puissant.

# Get it fixed, at your home or ours!

## Your Home

For expert troubleshooting and home solutions advice:

**manage  home**

[www.managemyhome.com](http://www.managemyhome.com)

For repair – **in your home** – of **all** major brand appliances, lawn and garden equipment, or heating and cooling systems, **no matter who made it, no matter who sold it!**

For the replacement parts, accessories and owner's manuals that you need to do-it-yourself.

For Sears professional installation of home appliances and items like garage door openers and water heaters.

**1-800-4-MY-HOME<sup>®</sup>** (1-800-469-4663)

Call anytime, day or night (U.S.A. and Canada)

[www.sears.com](http://www.sears.com)    [www.sears.ca](http://www.sears.ca)

## Our Home

For repair of carry-in items like vacuums, lawn equipment, and electronics, call anytime for the location of your nearest

**Sears Parts & Repair Service Center**

**1-800-488-1222** (U.S.A.)    **1-800-469-4663** (Canada)

[www.sears.com](http://www.sears.com)

[www.sears.ca](http://www.sears.ca)

To purchase a protection agreement on a product serviced by Sears:

**1-800-827-6655** (U.S.A.)

**1-800-361-6665** (Canada)

Para pedir servicio de reparación a domicilio, y para ordenar piezas:

**1-888-SU-HOGAR<sup>®</sup>**

(1-888-784-6427)

Au Canada pour service en français:

**1-800-LE-FOYER<sup>MC</sup>**

(1-800-533-6937)

[www.sears.ca](http://www.sears.ca)

